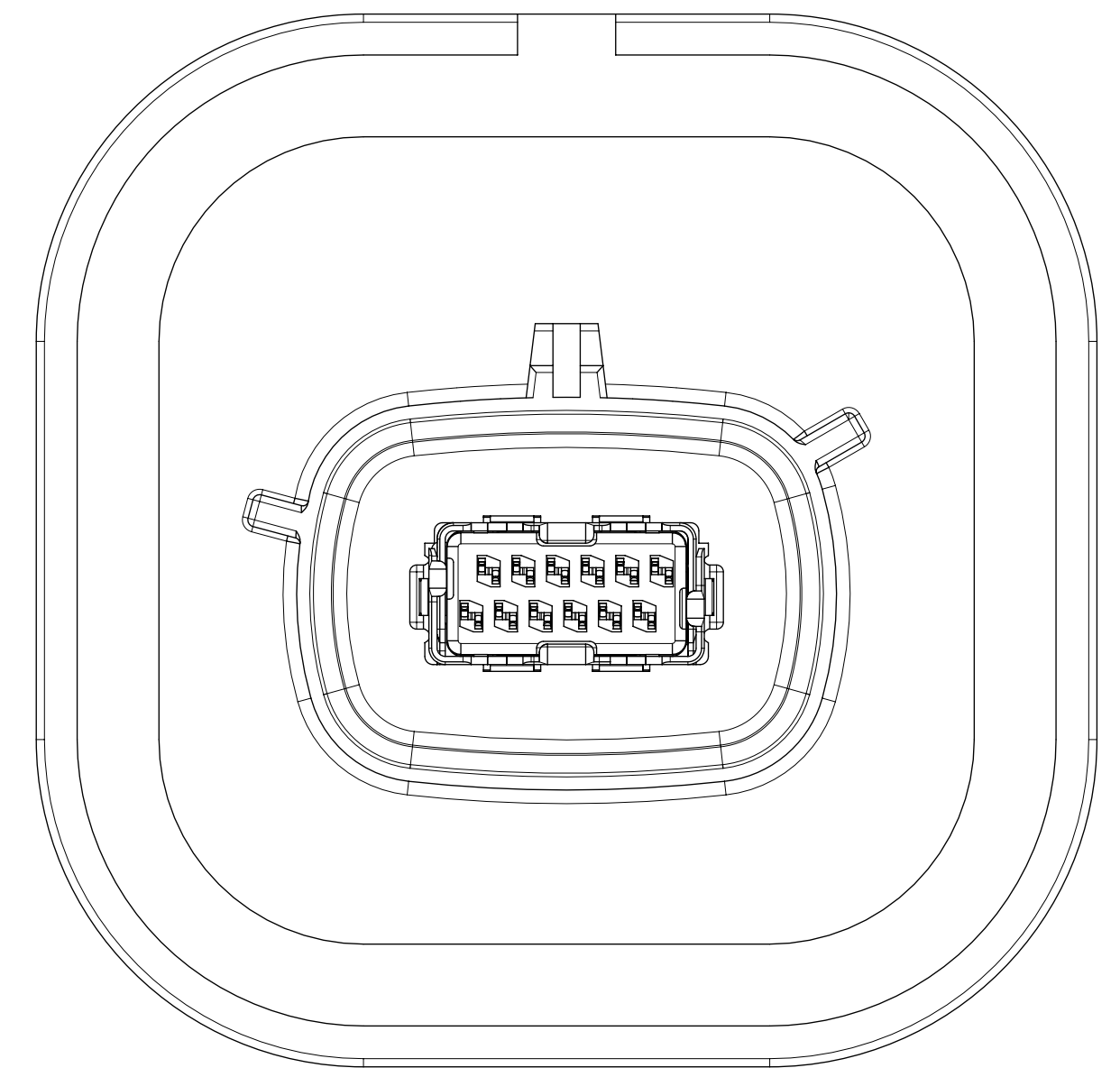
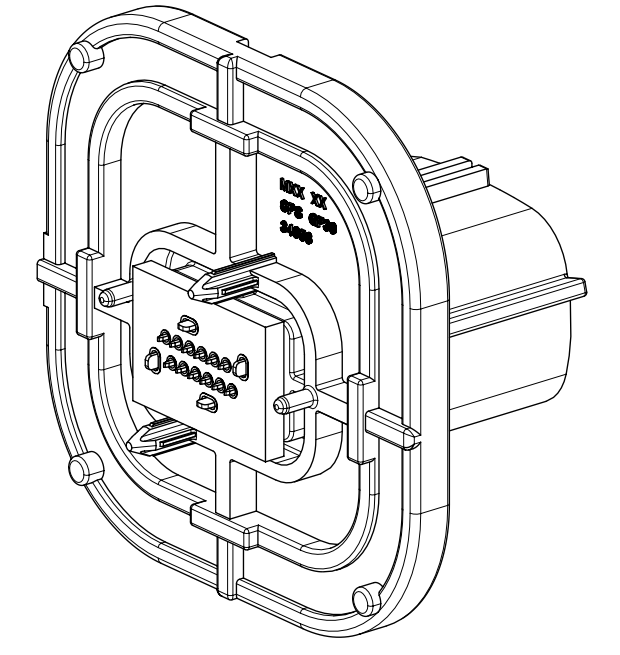
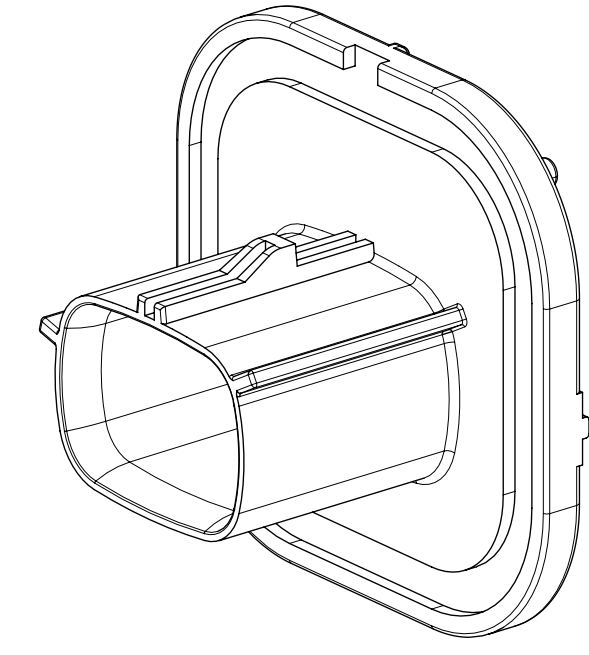
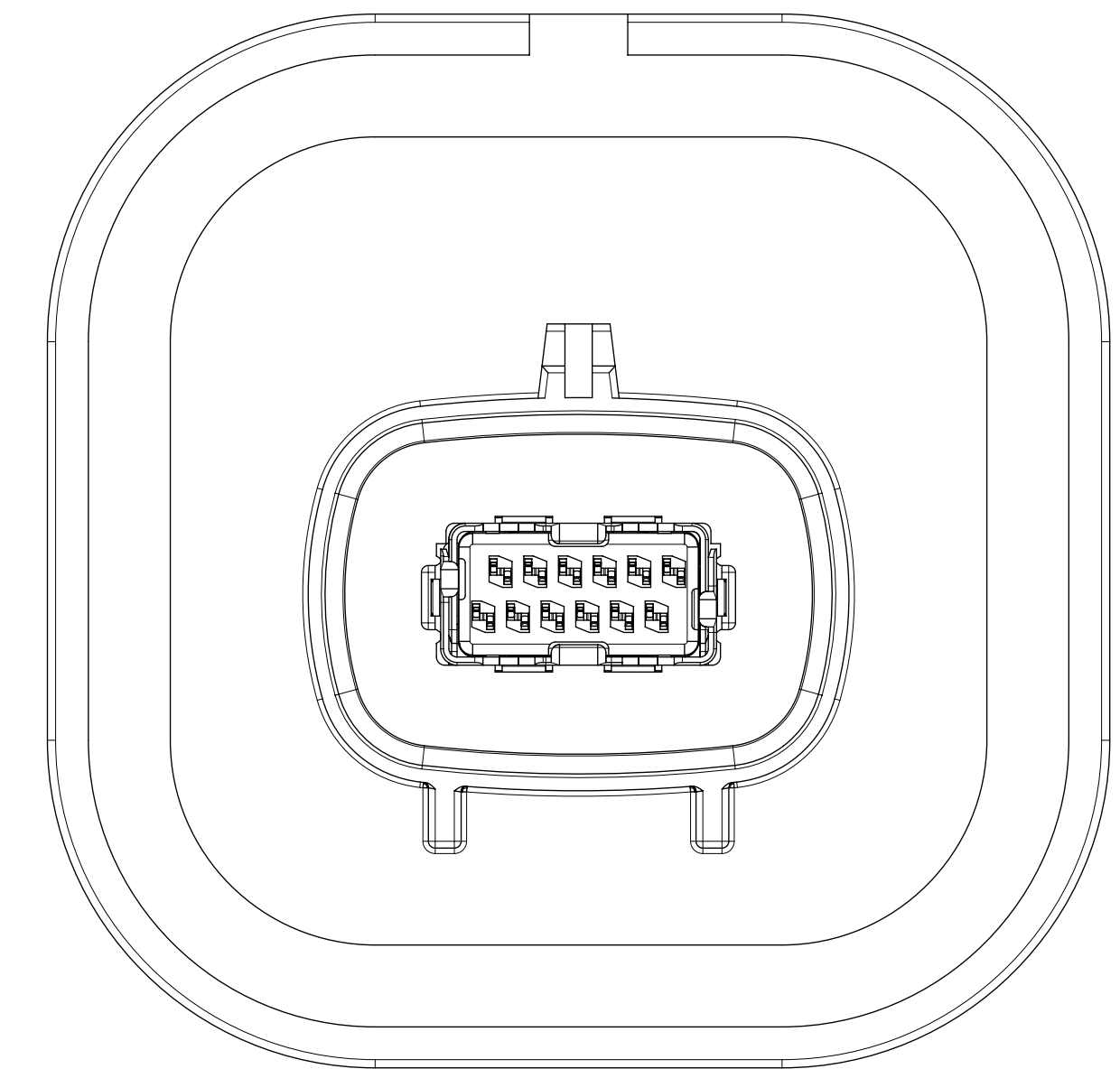


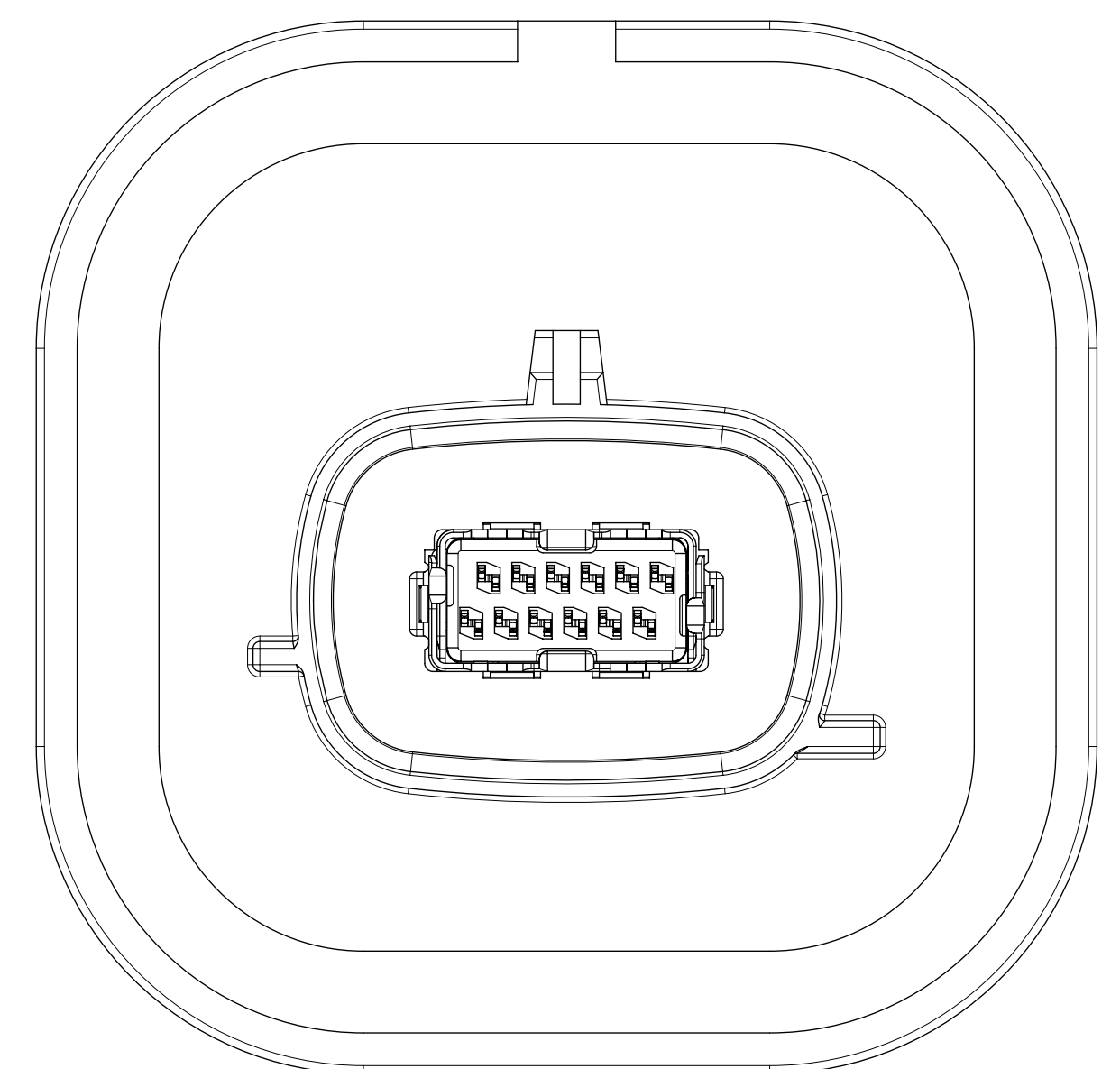
ITEM	DESCRIPTION	COLOR	34858-0506 12 CKT SEALED HEADER ASSY - KEY A	34858-0606 12 CKT SEALED HEADER ASSY - KEY B	34858-0706 12 CKT SEALED HEADER ASSY - KEY C	34858-0806 12 CKT SEALED HEADER ASSY - KEY D	34858-0516 12 CKT SEALED HEADER ASSY - KEY A (SHORT TAIL)	34858-0616 12 CKT SEALED HEADER ASSY - KEY B (SHORT TAIL)	34858-0716 12 CKT SEALED HEADER ASSY - KEY C (SHORT TAIL)	34858-0816 12 CKT SEALED HEADER ASSY - KEY D (SHORT TAIL)
1	12 CKT SEALED VERT HEADER HSG, KEY A	BLACK	1				1			
2	12 CKT SEALED VERT HEADER HSG, KEY B	GRAY		1				1		
3	12 CKT SEALED VERT HEADER HSG, KEY C	BROWN			1				1	
4	12 CKT SEALED VERT HEADER HSG, KEY D	GREEN				1				1
5	12 CKT VERTICAL TERMINAL CORE	N/A	1	1	1	1				
6	12 CKT VERTICAL TERMINAL CORE ASSY - SHORT TAIL	N/A					1	1	1	1



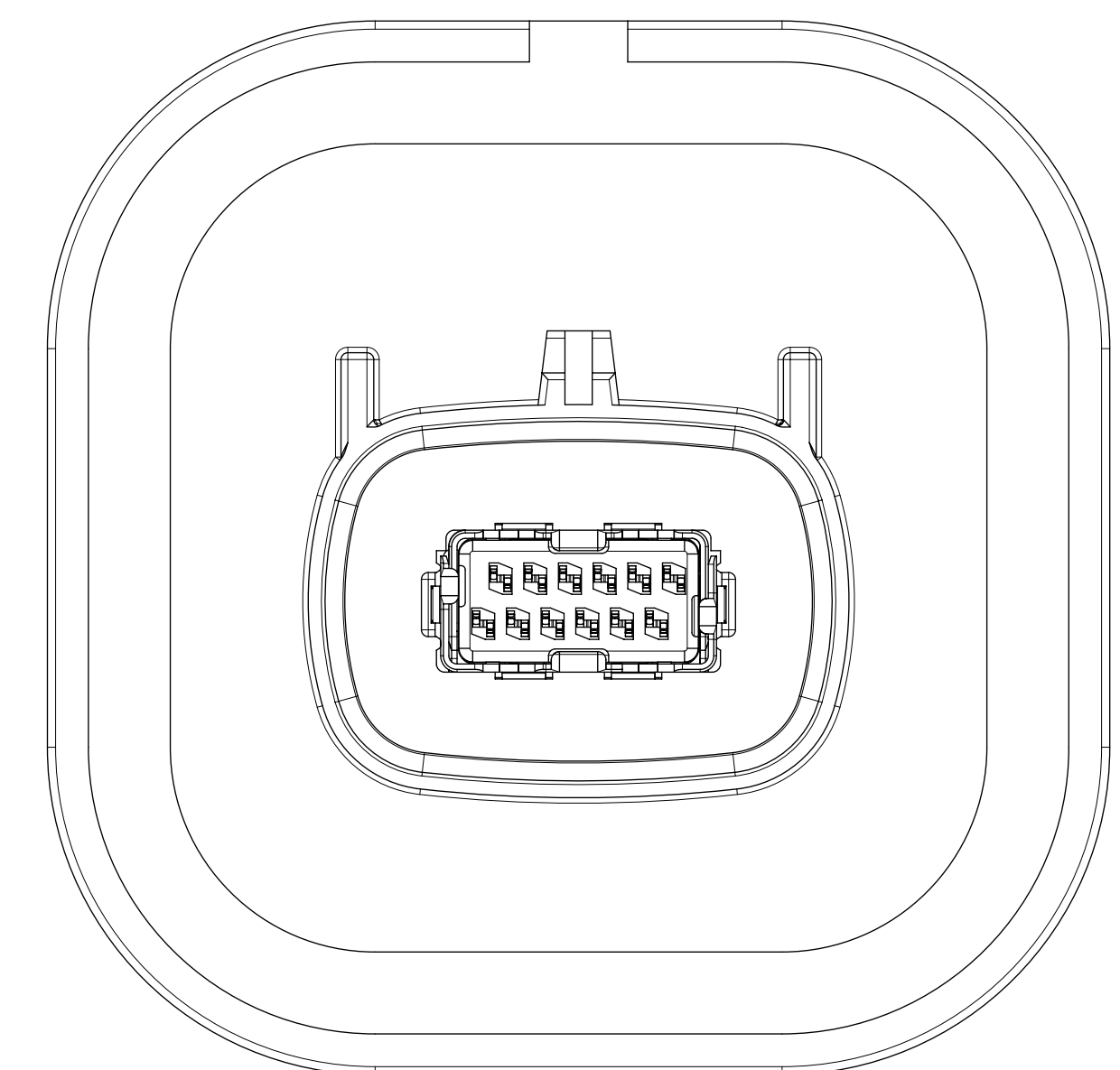
**34858-05X6**  
**KEY OPTION 'A'**  
**COLOR: BLACK**



**34858-06X6**  
**KEY OPTION 'B'**  
**COLOR: GREY**



**34858-07X6**  
**KEY OPTION 'C'**  
**COLOR: BROWN**

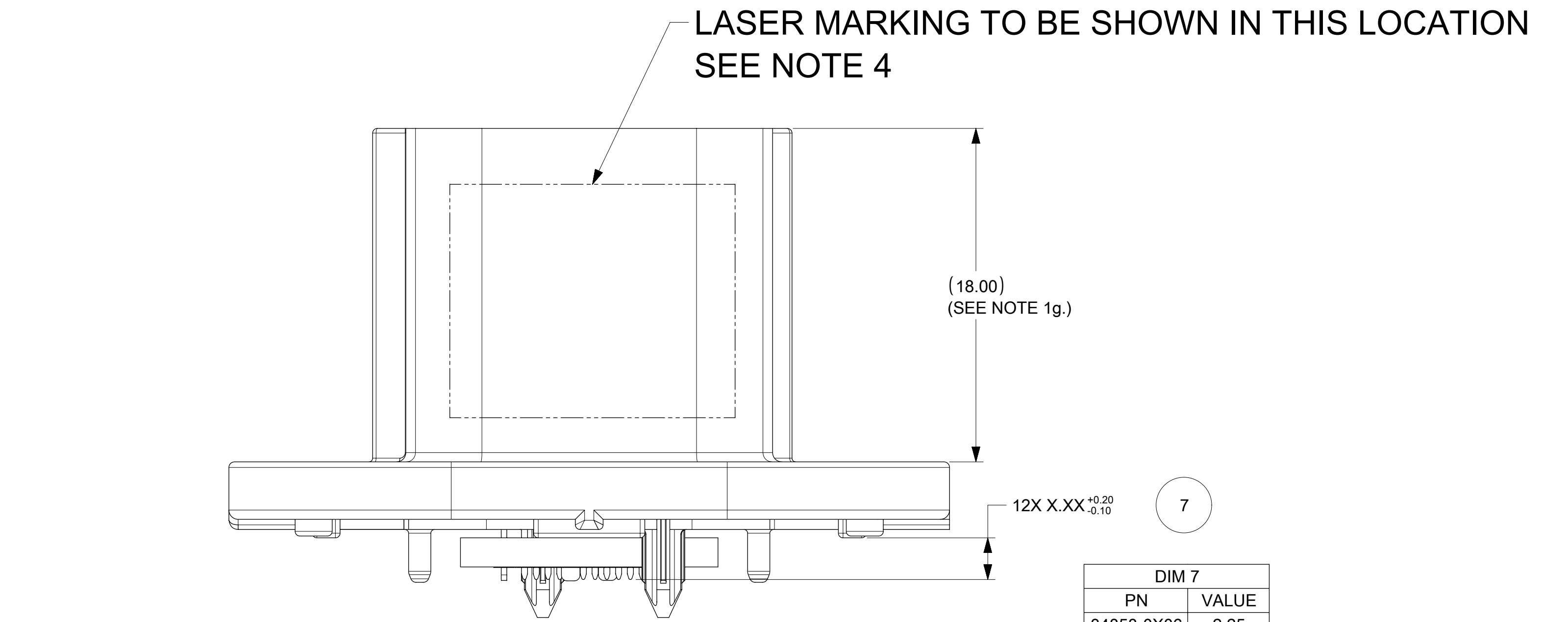
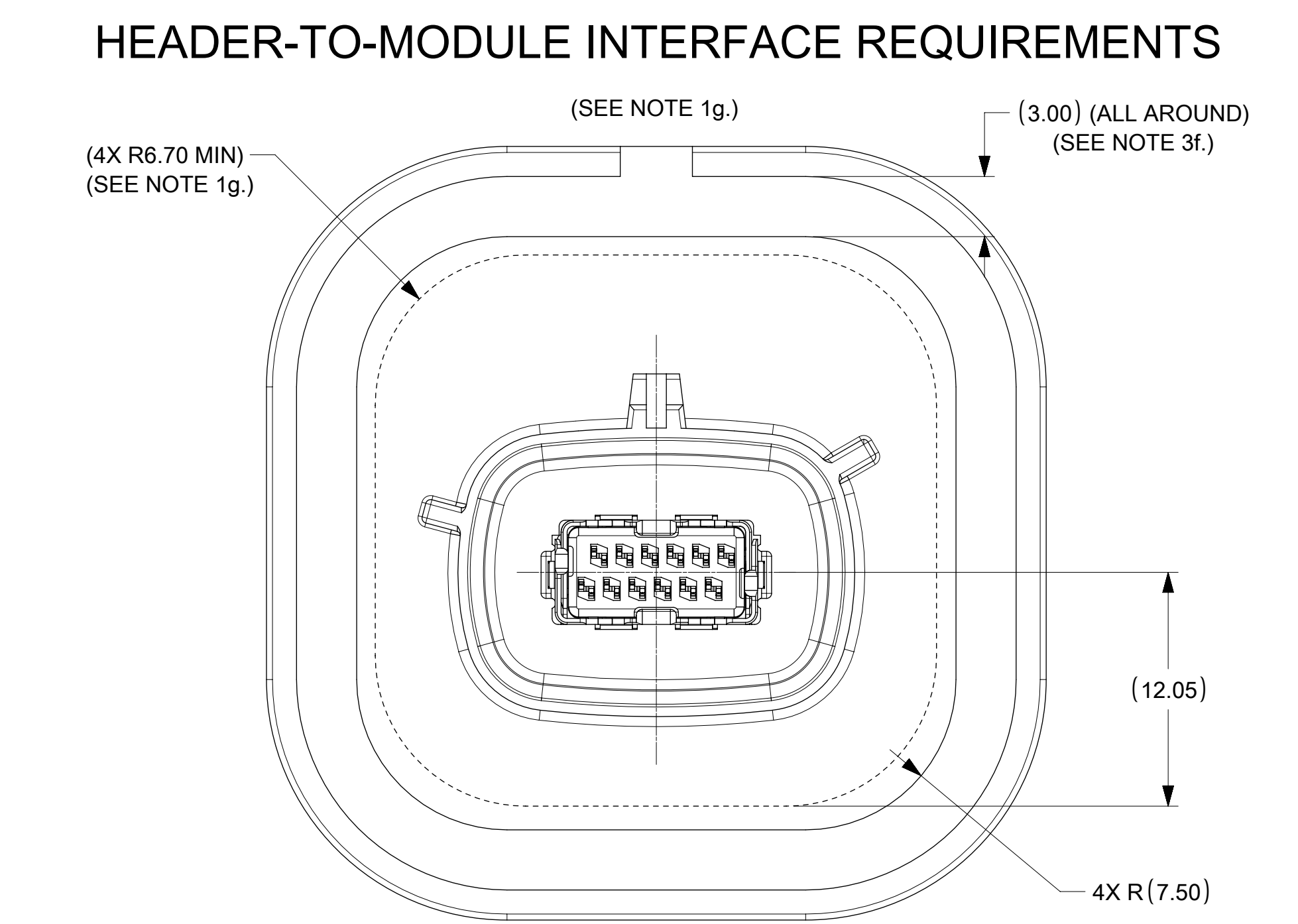
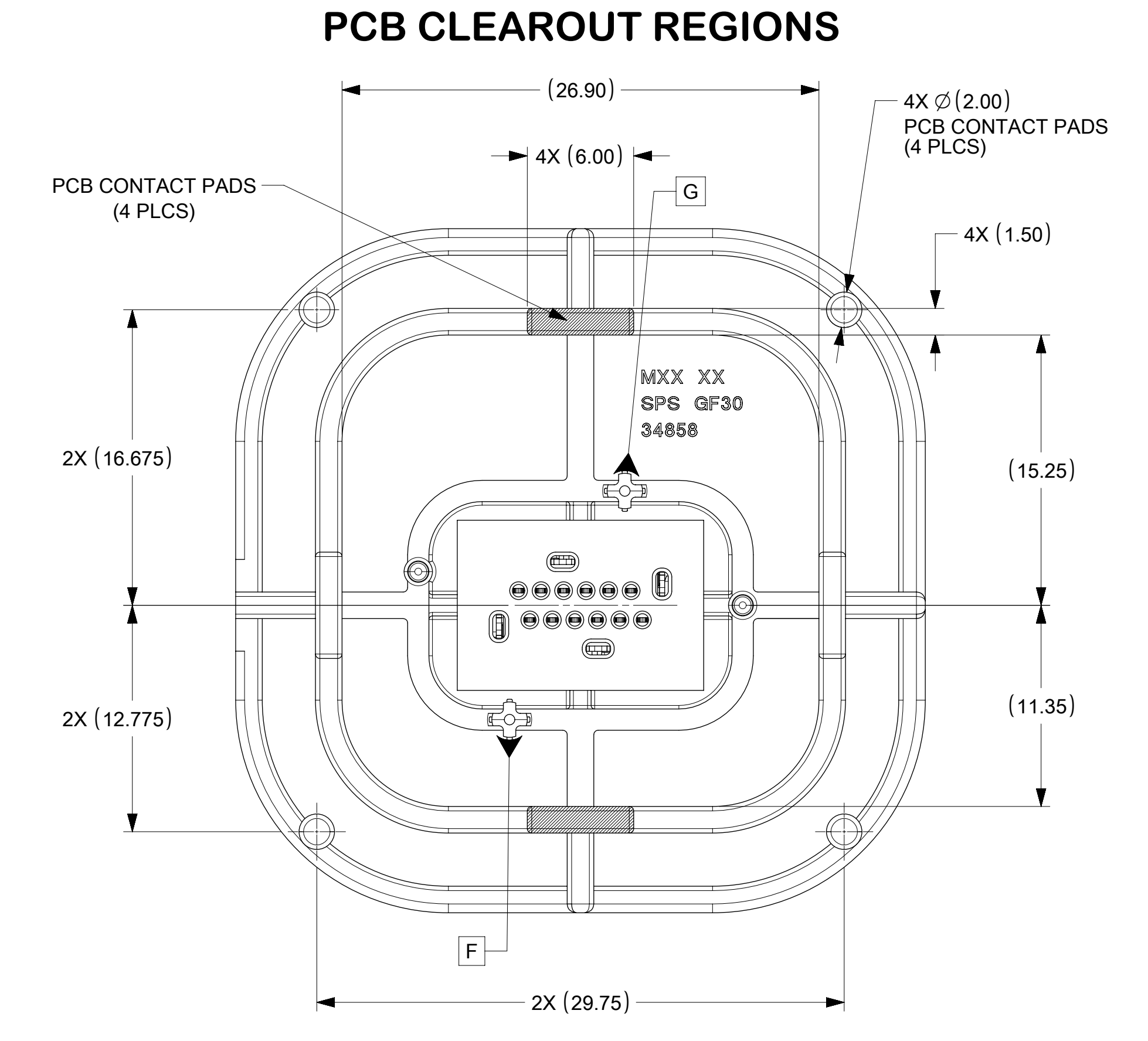
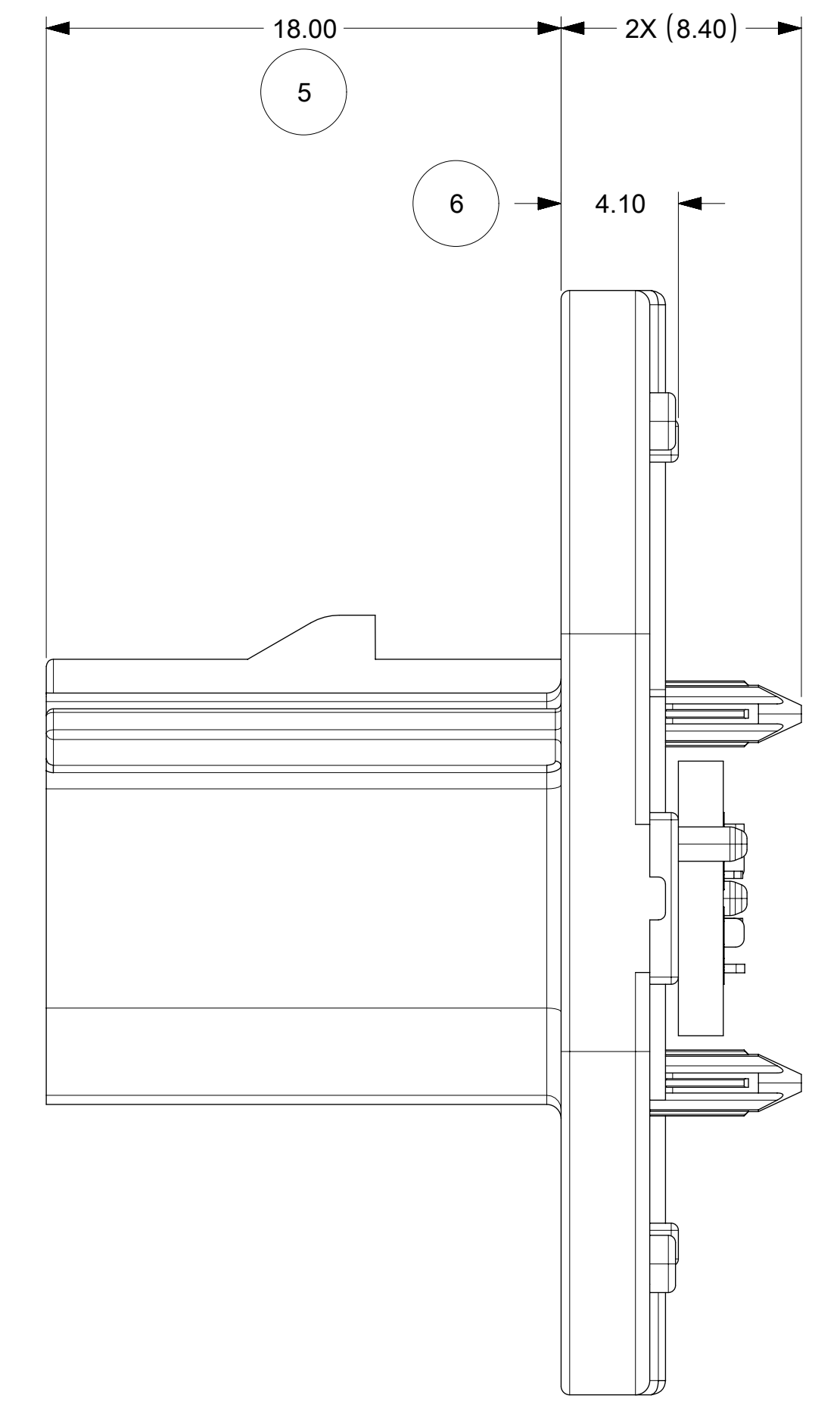
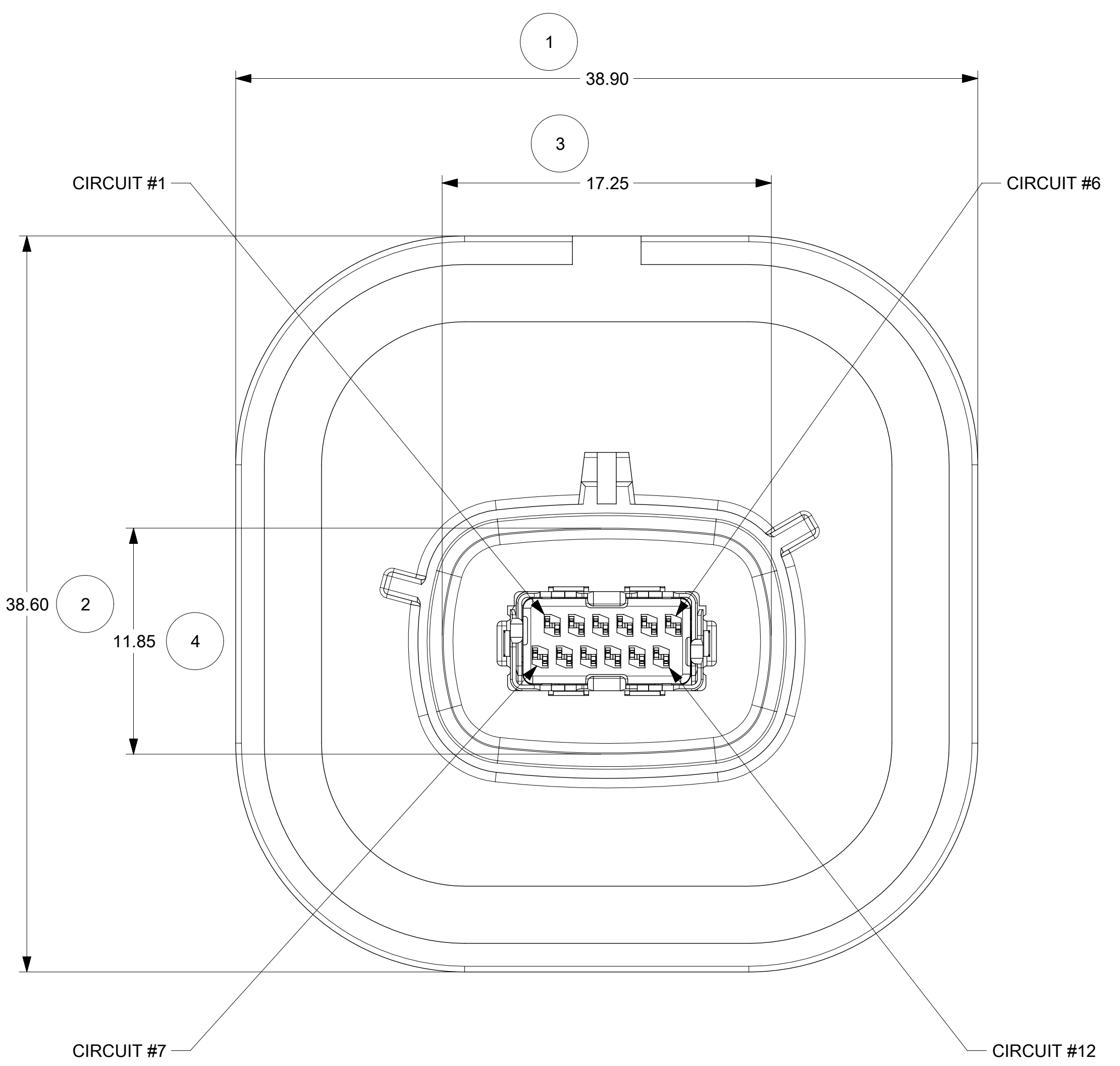


**34858-08X6**  
**KEY OPTION 'D'**  
**COLOR: GREEN**

- NOTES: VALID UNLESS OTHERWISE SPECIFIED
- GENERAL:
    - APPLICATION SPECIFICATION: AS-111149-001
    - PRODUCT SPECIFICATION: PS-111149-001
    - PACKAGING SPECIFICATION PER MOLEX DRAWING: PK-31301-766
    - PARTS MUST BE IN COMPLIANCE TO THE CURRENT VERSION OF THE MOLEX CHEMICAL SUBSTANCES FOR PRODUCTS AND PACKAGING SPECIFICATION
    - DATA MUST BE SUBMITTED UNDER THE MOLEX PART NUMBER TO IMDS (COMPANY ID#13255)
    - PCB TO BE FR4 0.062" (1.52mm) THICK
    - MATING CONNECTOR MINIMUM CLEARANCE: REGION TO REMAIN CLEAR OF MODULE COMPONENTS, ADHESIVE, DEBRIS, ETC.
    - APPLICABLE SEALANT TO BE USED: LOCTITE 5910
  - DESIGN - MATERIALS:
    - HEADER HOUSING : SPS GF30
    - TERMINALS - COPPER ALLOY  
OVERMOLDING - LCP GF30  
MATE-SIDE PLATING: SELECTIVE GOLD OVER NICKEL  
PCB-SIDE PLATING: TIN OVER NICKEL
    - BISCUIT - SPS GF30
    - SHIELDS - COPPER ALLOY  
PLATING - TIN OVER NICKEL
  - DESIGN - GEOMETRY:
    - ALL GRAPHIC DATA IS BASIC (NO TOLERANCE) AND MUST BE TAKEN FROM THE DATA FILE AT ITS LATEST REVISION.
    - N/A
    - GEOMETRIC DIMENSIONS AND TOLERANCES PER ASME Y14.5M-2009
    - EDGES AND UNDIMENSIONED DETAILS PER ISO13715
    - CORNERS SHOWN AS SHARP TO BE R 0.2 MAX.
    - MODULE MOUNTING SURFACE, SEALANT TO BE APPLIED TO THIS REGION ONLY.  
PARTING LINES ARE PRESENT ON THE SURFACES
  - LASER MARKING TO BE MARKED WITH  
HUMAN READABLE CODE (HRC)  
-PERMANENTLY APPLIED ON THE PART WITH 1.5mm LETTER SIZE  
-INFORMATION TO BE PRINTED  
5 DIGIT JULIAN MANUFACTURING DATE STAMP YYDDD

C2	UPDATED PCB LAYOUT - PIN HOLE DIA	SUDAYGUNAGI	02JULY2020
REV	DESCRIPTION	ENGINEER	DATE

THIS DRAWING CONTAINS INFORMATION THAT IS PROPRIETARY TO MOLEX ELECTRONIC TECHNOLOGIES, LLC AND SHOULD NOT BE USED WITHOUT WRITTEN PERMISSION			
DIMENSION UNITS	SCALE	CURRENT REV DESC: UPDATED PCB LAYOUT - PIN HOLE DIA	
mm	5:1		
GENERAL TOLERANCES (UNLESS SPECIFIED)			
ANGULAR TOL	± 1.0°		
4 PLACES	±	EC NO: 644293	
3 PLACES	±	DRWN: SUDAYGUNAGI	2020/07/02
2 PLACES	± 0.13	CHK'D: SMAMIDINAGAV	2020/08/24
1 PLACE	± 0.25	APPR: DGILKEY	2020/09/01
0 PLACES	±	INITIAL REVISION:	
DRAFT WHERE APPLICABLE MUST REMAIN WITHIN DIMENSIONS		DRWN: ZDEDMON	2017/11/07
THIRD ANGLE PROJECTION		APPR: DNAYLIS	2018/01/03
D7		DRAWING	SERIES
D-SIZE		34858	
MATERIAL NUMBER		CUSTOMER	
SD-34858-001		GENERAL MARKET	
DOCUMENT NUMBER		DOC TYPE	DOC PART
SD-34858-001		PSD	000
REVISION		C2	
SHEET NUMBER		1 OF 3	

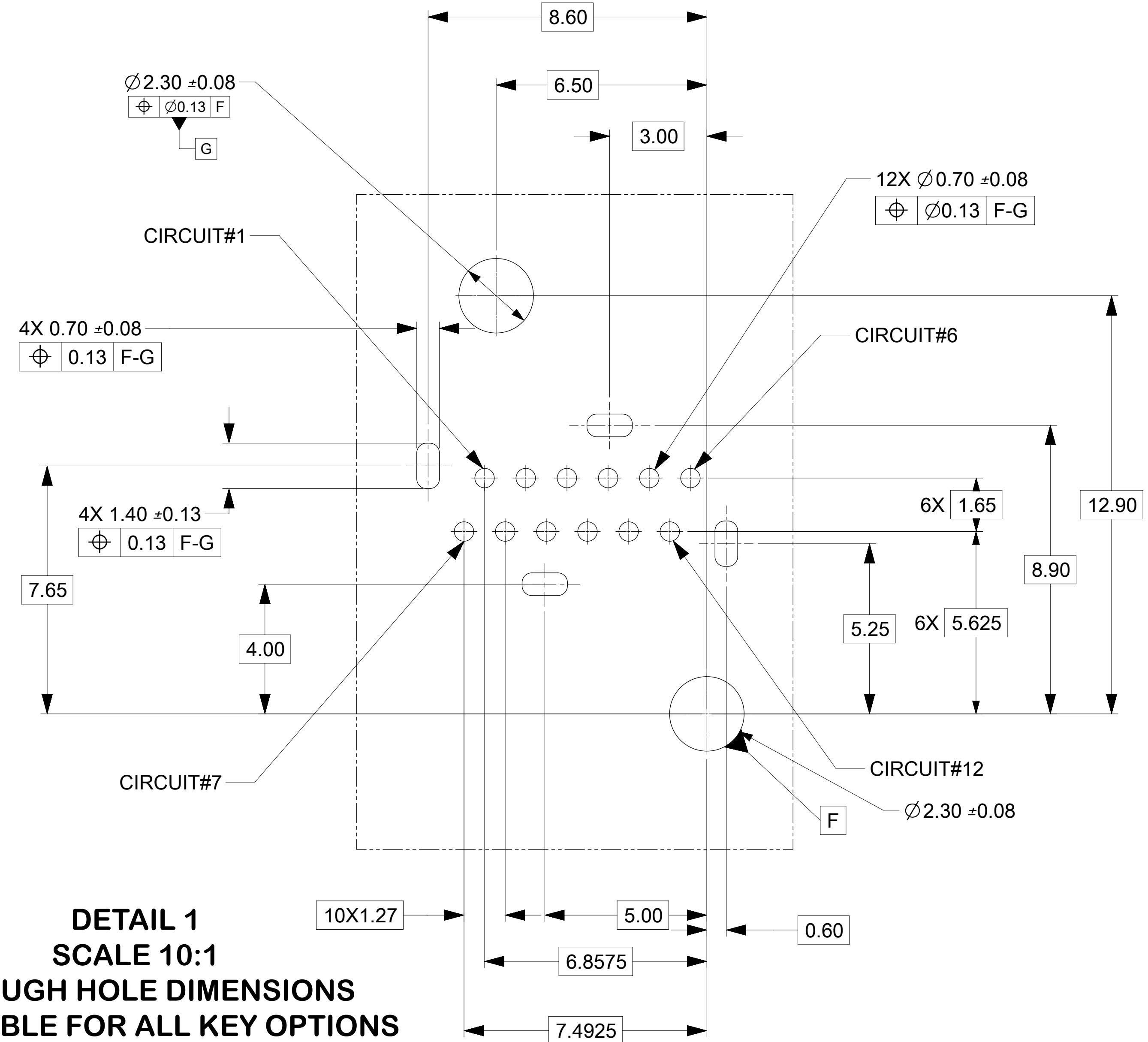
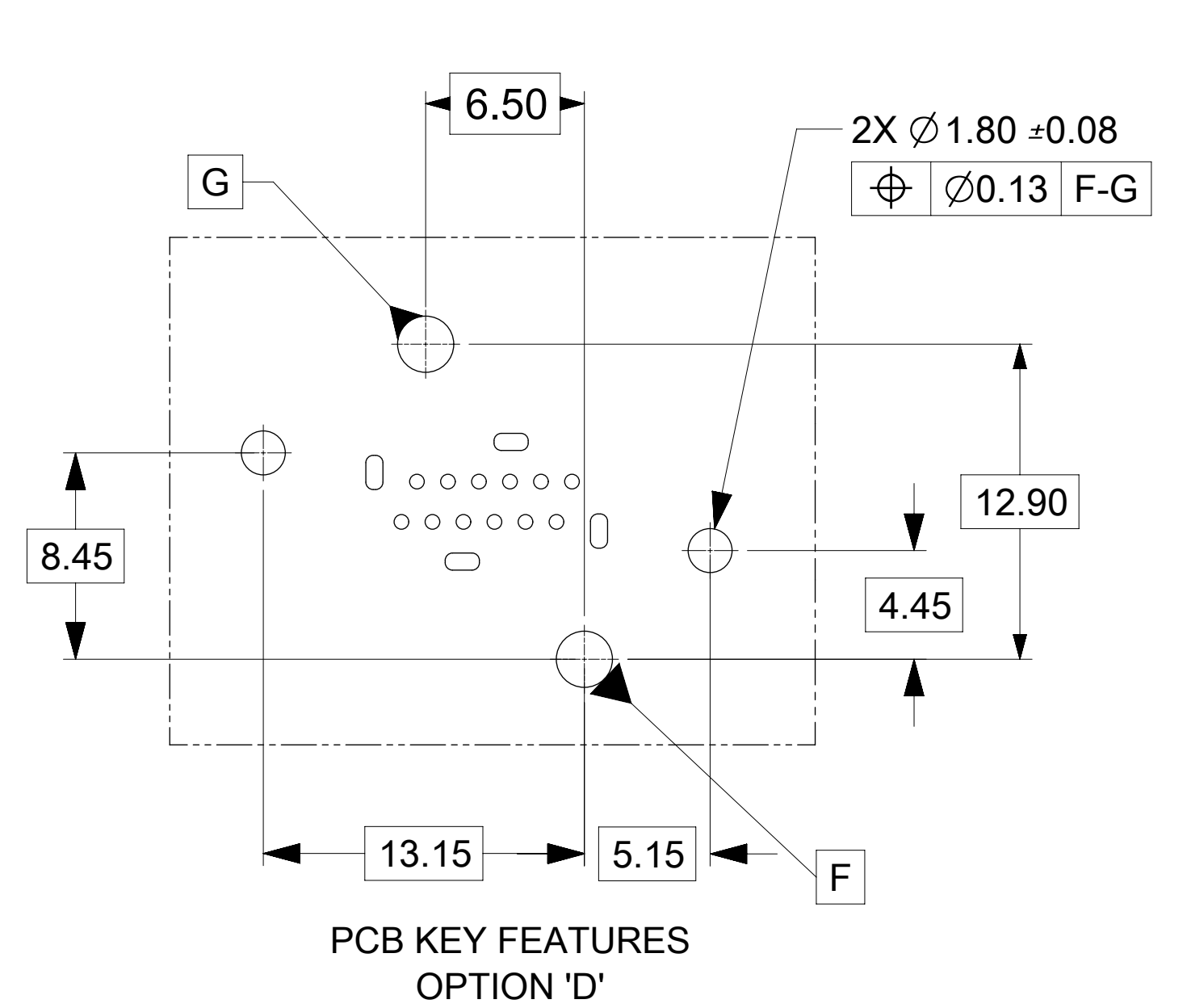
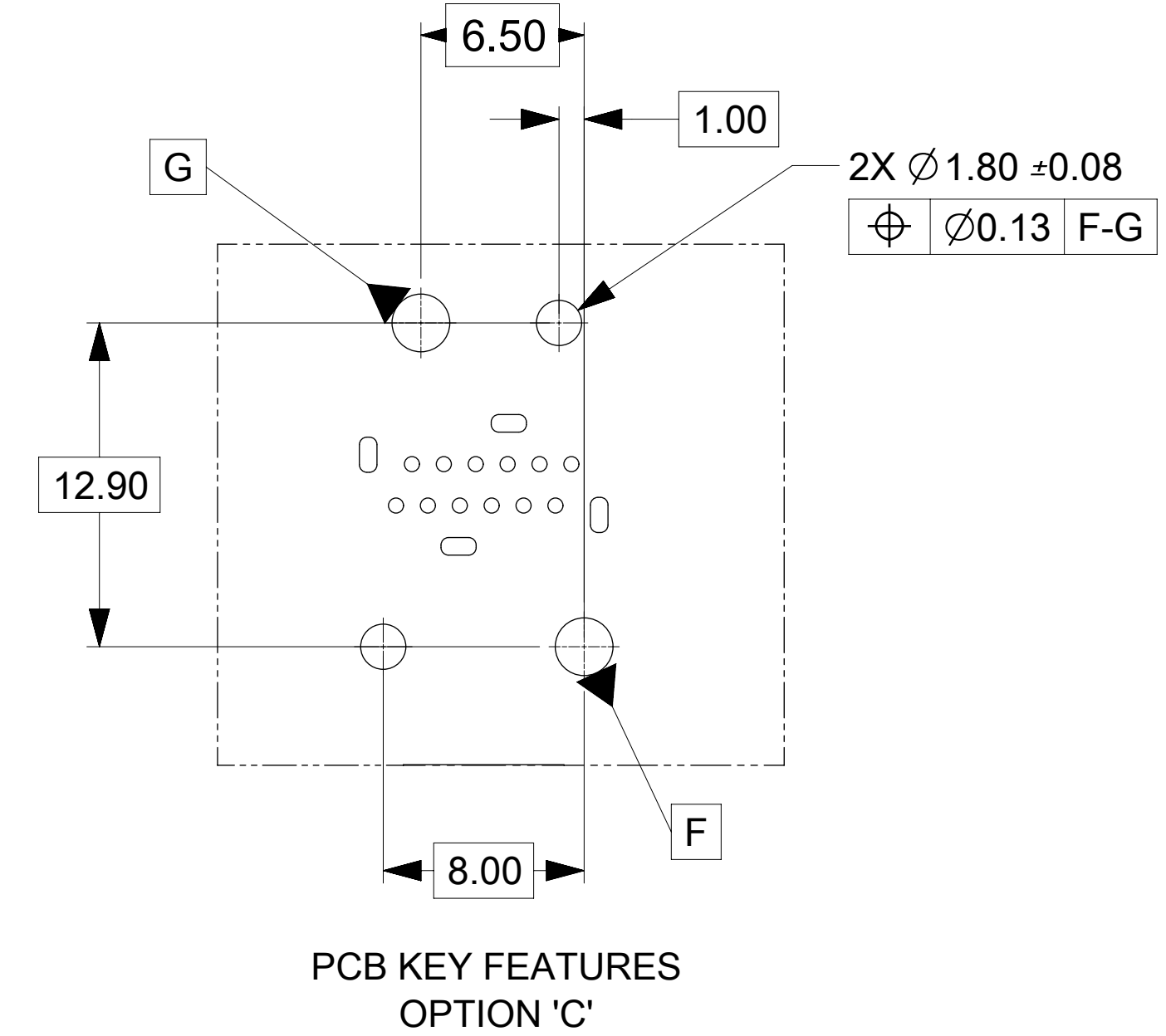
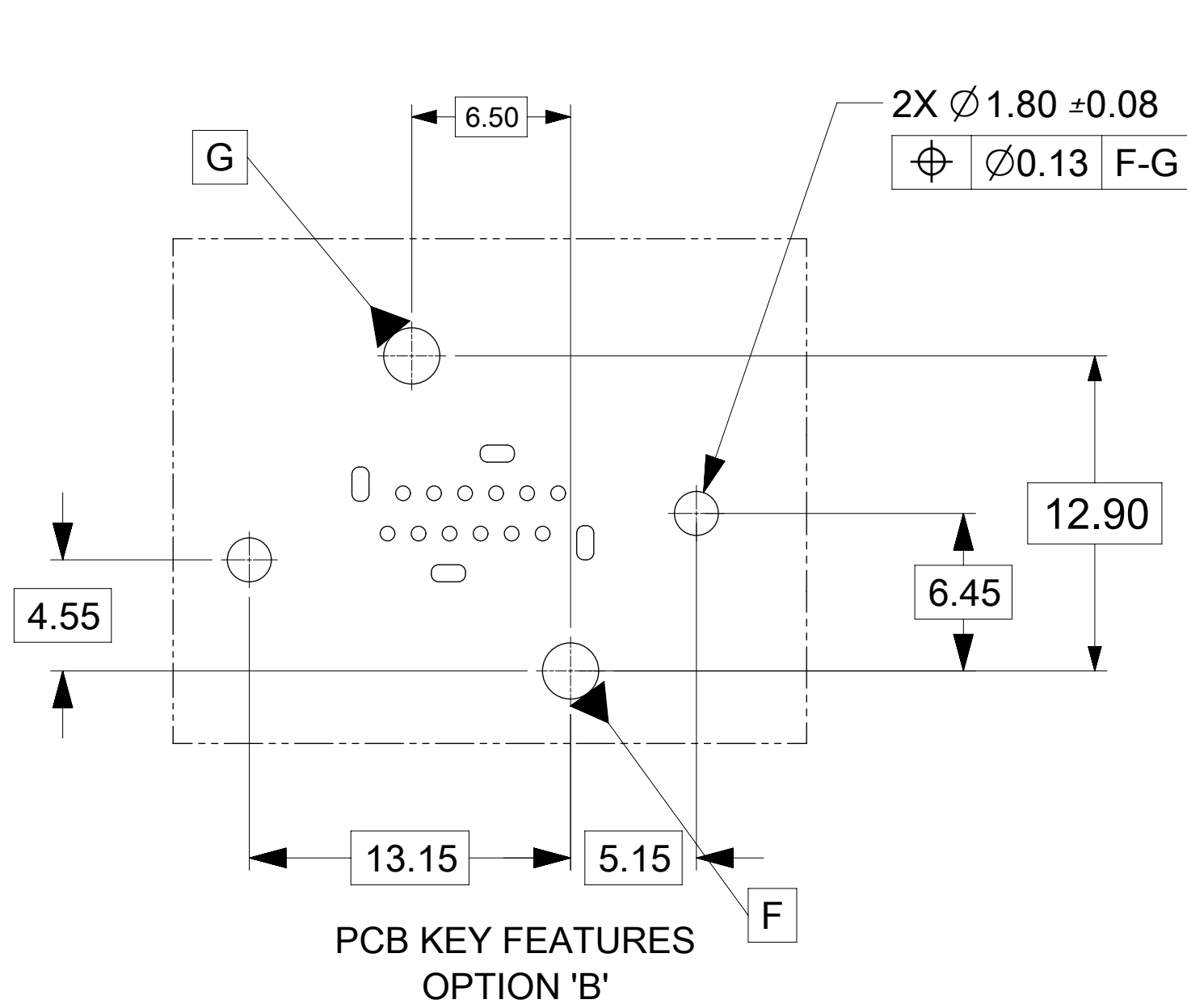
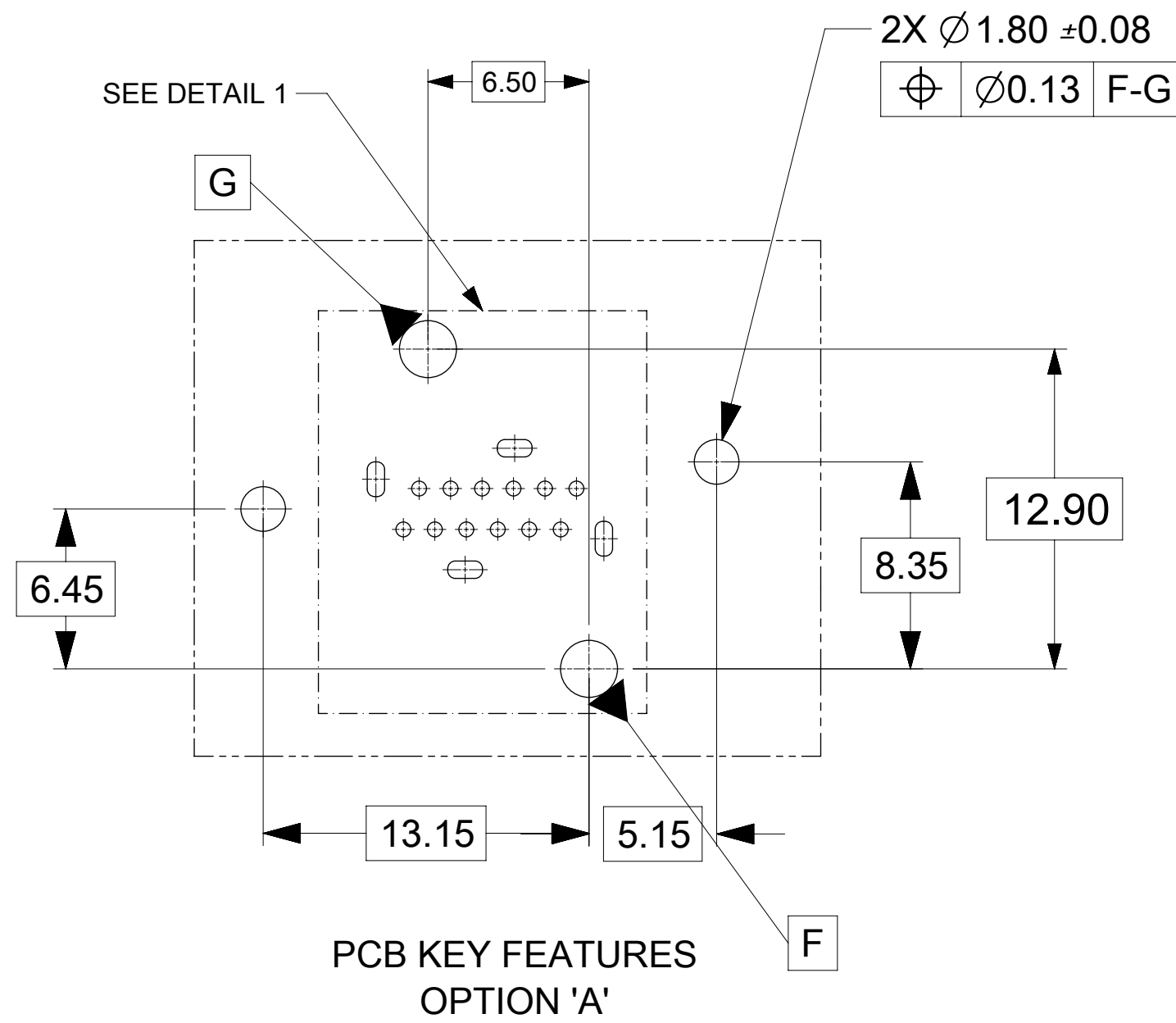


DIM 7	
PN	VALUE
34858-0X06	2.25
34858-0X16	1.75

THIS DRAWING CONTAINS INFORMATION THAT IS PROPRIETARY TO MOLEX ELECTRONIC TECHNOLOGIES, LLC AND SHOULD NOT BE USED WITHOUT WRITTEN PERMISSION

DIMENSION UNITS <b>mm</b>	SCALE <b>5:1</b>	CURRENT REV DESC: UPDATED PCB LAYOUT - PIN HOLE DIA			
GENERAL TOLERANCES (UNLESS SPECIFIED)					
ANGULAR TOL ± 1.0°	4 PLACES ±	EC NO: 644293	PRODUCT CUSTOMER DRAWING		
3 PLACES ±	2 PLACES ± 0.13	DRWN: SUDAYGUNAGI 2020/07/02	DOCUMENT NUMBER		
2 PLACES ± 0.25	1 PLACE ± 0.25	CHK'D: SMAMIDINAGAV 2020/08/24	DOC TYPE DOC PART REVISION		
0 PLACES ±		APPR: DGILKEY 2020/09/01	SD-34858-001 PSD 000 C2		
DRAFT WHERE APPLICABLE MUST REMAIN WITHIN DIMENSIONS	THIRD ANGLE PROJECTION	INITIAL REVISION: DRWN: ZDEDMON 2017/11/07 APPR: DNAYLIS 2018/01/03	MATERIAL NUMBER	CUSTOMER	SHEET NUMBER
		DRAWING SERIES <b>D-SIZE 34858</b>	GENERAL MARKET		2 OF 3

# PCB LAYOUT - HEADER SIDE PCB



**DETAIL 1**  
**SCALE 10:1**  
**THROUGH HOLE DIMENSIONS**  
**APPLICABLE FOR ALL KEY OPTIONS**

THIS DRAWING CONTAINS INFORMATION THAT IS PROPRIETARY TO MOLEX ELECTRONIC TECHNOLOGIES, LLC AND SHOULD NOT BE USED WITHOUT WRITTEN PERMISSION									
DIMENSION UNITS: mm		SCALE: 1:1		CURRENT REV DESC: UPDATED PCB LAYOUT - PIN HOLE DIA					
GENERAL TOLERANCES (UNLESS SPECIFIED)				EC NO: 644293					
ANGULAR TOL: $\pm 1.0^\circ$				DRWN: SUDAYGUNAGI 2020/07/02				12 CKT HSAUTOLINK II VERT SEALED HEADER ASSEMBLY	
4 PLACES: $\pm$				CHK'D: SMAMIDINAGAV 2020/08/24				PRODUCT CUSTOMER DRAWING	
3 PLACES: $\pm$				APPR: DGILKEY 2020/09/01				DOCUMENT NUMBER: SD-34858-001	
2 PLACES: $\pm 0.13$				INITIAL REVISION:				DOC TYPE: PSD	
1 PLACE: $\pm 0.25$				DRWN: ZDEDMON 2017/11/07				DOC PART: 000	
0 PLACES: $\pm$				APPR: DNAYLIS 2018/01/03				REVISION: C2	
DRAFT WHERE APPLICABLE MUST REMAIN WITHIN DIMENSIONS		THIRD ANGLE PROJECTION		DRAWING: D-SIZE		SERIES: 34858		MATERIAL NUMBER: GENERAL MARKET	
DOCUMENT STATUS: P1		RELEASE DATE: 2020/09/01 20:59:23		SHEET NUMBER: 3 OF 3					