



**Crimzon® ZLP32300**

# **Z8® OTP MCU with Infrared Timers**

**Product Specification**

PS020823-0208



**Warning:** DO NOT USE IN LIFE SUPPORT

### **LIFE SUPPORT POLICY**

ZILOG'S PRODUCTS ARE NOT AUTHORIZED FOR USE AS CRITICAL COMPONENTS IN LIFE SUPPORT DEVICES OR SYSTEMS WITHOUT THE EXPRESS PRIOR WRITTEN APPROVAL OF THE PRESIDENT AND GENERAL COUNSEL OF ZILOG CORPORATION.

### **As used herein**

Life support devices or systems are devices which (a) are intended for surgical implant into the body, or (b) support or sustain life and whose failure to perform when properly used in accordance with instructions for use provided in the labeling can be reasonably expected to result in a significant injury to the user. A critical component is any component in a life support device or system whose failure to perform can be reasonably expected to cause the failure of the life support device or system or to affect its safety or effectiveness.

### **Document Disclaimer**

©2008 by Zilog, Inc. All rights reserved. Information in this publication concerning the devices, applications, or technology described is intended to suggest possible uses and may be superseded. ZILOG, INC. DOES NOT ASSUME LIABILITY FOR OR PROVIDE A REPRESENTATION OF ACCURACY OF THE INFORMATION, DEVICES, OR TECHNOLOGY DESCRIBED IN THIS DOCUMENT. ZILOG ALSO DOES NOT ASSUME LIABILITY FOR INTELLECTUAL PROPERTY INFRINGEMENT RELATED IN ANY MANNER TO USE OF INFORMATION, DEVICES, OR TECHNOLOGY DESCRIBED HEREIN OR OTHERWISE. The information contained within this document has been verified according to the general principles of electrical and mechanical engineering.

Z8, Z8 Encore!, Z8 Encore! XP, Z8 Encore! MC, Crimzon, eZ80, and ZNEO are trademarks or registered trademarks of Zilog, Inc. All other product or service names are the property of their respective owners.



**ISO 9001:2000  
FS 507510**

Zilog products are designed and manufactured under an ISO registered 9001:2000 Quality Management System. For more details, please visit [www.zilog.com/quality](http://www.zilog.com/quality).

## Revision History

Each instance in the Revision History table reflects a change to this document from its previous revision. For more details, refer to the corresponding pages or appropriate link in the table.

| Date          | Revision Level | Description  | Page Number        |
|---------------|----------------|--|--------------------|
| February 2008 | 23             | Updated <a href="#">Ordering Information</a> section.                          | <a href="#">87</a> |
| January 2008  | 22             | Updated <a href="#">Ordering Information</a> section.                          | <a href="#">87</a> |
| July 2007     | 21             | Updated Disclaimer section and implemented style guide.                        | All                |
| February 2007 | 20             | Updated <a href="#">Low-Voltage Detection</a> .                                | <a href="#">58</a> |
| May 2006      | 19             | Updated <a href="#">Figure 33</a> with pin P22 in SMR block input.             | <a href="#">52</a> |
| December 2005 | 18             | Updated <a href="#">Clock</a> and <a href="#">Input/Output Ports</a> sections. | 15 and 51          |

# Table of Contents

|   |           |
|---|-----------|
| <b>Architectural Overview</b> .....                 | <b>1</b>  |
| Development Features .....                          | 2         |
| Functional Block Diagram .....                      | 3         |
| <b>Pin Description</b> .....                        | <b>5</b>  |
| Pin Functions .....                                 | 10        |
| XTAL1 Crystal 1 (Time-Based Input) .....            | 10        |
| XTAL2 Crystal 2 (Time-Based Output) .....           | 10        |
| Input/Output Ports .....                            | 10        |
| RESET (Input, Active Low) .....                     | 18        |
| <b>Functional Description</b> .....                 | <b>19</b> |
| Program Memory .....                                | 19        |
| RAM .....   | 19        |
| Expanded Register File .....                        | 20        |
| Register File .....                                 | 24        |
| Stack .....   | 25        |
| Timers .....  | 25        |
| Counter/Timer Functional Blocks .....               | 33        |
| Interrupts .....                                    | 43        |
| Clock .....   | 46        |
| Power Management .....                              | 47        |
| Port Configuration .....                            | 48        |
| Stop Mode Recovery .....                            | 49        |
| Watchdog Timer Mode .....                           | 55        |
| Low-Voltage Detection .....                         | 58        |
| Expanded Register File Control Registers (0D) ..... | 60        |
| Expanded Register File Control Registers (0F) ..... | 65        |
| Standard Control Registers .....                    | 69        |
| <b>Electrical Characteristics</b> .....             | <b>75</b> |
| Absolute Maximum Ratings .....                      | 75        |
| Standard Test Conditions .....                      | 75        |
| Capacitance .....                                   | 76        |
| DC Characteristics .....                            | 76        |
| AC Characteristics .....                            | 78        |
| <b>Packaging</b> .....                              | <b>80</b> |
| <b>Ordering Information</b> .....                   | <b>87</b> |
| Part Number Description .....                       | 89        |
| <b>Index</b> .....                                  | <b>91</b> |
| <b>Customer Support</b> .....                       | <b>95</b> |

# Architectural Overview

Zilog's Crimzon<sup>®</sup> ZLP32300 is an OTP-based member of the MCU family of infrared microcontrollers. With 237 B of general-purpose RAM and 8 KB to 32 KB of OTP, Zilog's CMOS microcontrollers offer fast-executing, efficient use of memory, sophisticated interrupts, input/output bit manipulation capabilities, automated pulse generation/reception, and internal key-scan pull-up transistors.

The Crimzon ZLP32300 architecture (see [Figure 1](#) on page 3) is based on Zilog's 8-bit microcontroller core with an Expanded Register File allowing access to register-mapped peripherals, input/output (I/O) circuits, and powerful counter/timer circuitry. The Z8<sup>®</sup> CPU offers a flexible I/O scheme, an efficient register and address space structure, and a number of ancillary features that are useful in many consumer, automotive, computer peripheral, and battery-operated hand-held applications.

There are three basic address spaces available to support a wide range of configurations:

1. Program Memory
2. Register File
3. Expanded Register File

The register file is composed of 256 Bytes of RAM. It includes four I/O port registers, 16 control and status registers, and 236 general-purpose registers. The Expanded Register File consists of two additional register groups (F and D).

To unburden the program from coping with such real-time problems as generating complex waveforms or receiving and demodulating complex waveform/pulses, the Crimzon ZLP32300 offers a new intelligent counter/timer architecture with 8-bit and 16-bit counter/timers (see [Figure 2](#) on page 4). Also included are a large number of user-selectable modes and two on-board comparators to process analog signals with separate reference voltages.

► **Note:** *All signals with an overline, “ $\bar{\phantom{x}}$ ”, are active Low. For example,  $B/\bar{W}$ , in which WORD is active Low, and  $\bar{B}/W$ , in which BYTE is active Low.*

Power connections use the conventional descriptions listed in [Table 1](#).

**Table 1. Power Connections**

| Connection | Circuit         | Device          |
|------------|-----------------|-----------------|
| Power      | V <sub>CC</sub> | V <sub>DD</sub> |
| Ground     | GND             | V <sub>SS</sub> |

## Development Features

Table 2 lists the features of Crimzon ZLP32300 family.

**Table 2. Crimzon ZLP32300 MCU Features**

| Device           | OTP(KB)   | RAM* (Bytes) | I/O Lines    | Voltage Range |
|------------------|-----------|--------------|--------------|---------------|
| Crimzon ZLP32300 | 8, 16, 32 | 237          | 32, 24 or 16 | 2.0–3.6 V     |
| *General purpose |           |              |              |               |

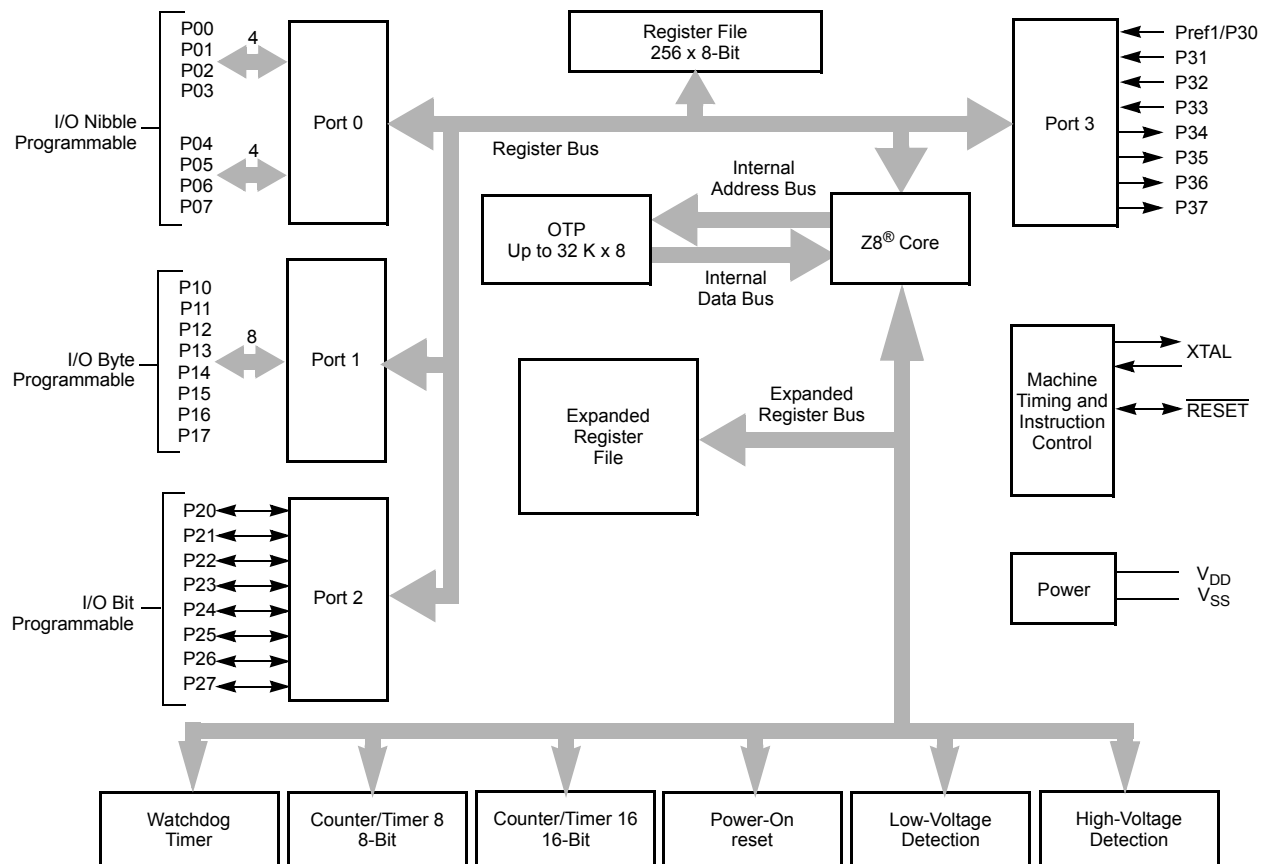
The additional features include:

- Low power consumption—11 mW (typical)
- Three standby modes:
  - STOP—1.7  $\mu$ A (typical)
  - HALT—0.6 mA (typical)
  - Low-voltage reset
- Special architecture to automate both generation and reception of complex pulses or signals:
  - One programmable 8-bit counter/timer with two capture registers and two load registers
  - One programmable 16-bit counter/timer with one 16-bit capture register pair and one 16-bit load register pair
  - Programmable input glitch filter for pulse reception
- Six priority interrupts
  - Three external
  - Two assigned to counter/timers
  - One Low-Voltage Detection interrupt
- Low-Voltage Detection and high voltage detection Flags
- Programmable Watchdog Timer/Power-On Reset (WDT/POR) circuits
- Two independent comparators with programmable interrupt polarity
- Programmable EPROM options
  - Port 0: 0–3 pull-up transistors
  - Port 0: 4–7 pull-up transistors
  - Port 1: 0–3 pull-up transistors
  - Port 1: 4–7 pull-up transistors

- Port 2: 0–7 pull-up transistors
- EPROM Protection
- WDT enabled at POR

## Functional Block Diagram

Figure 1 displays the Crimzon ZLP32300 MCU functional block diagram.



Note: Refer to the specific package for available pins.

**Figure 1. Crimzon ZLP32300 MCU Functional Block Diagram**

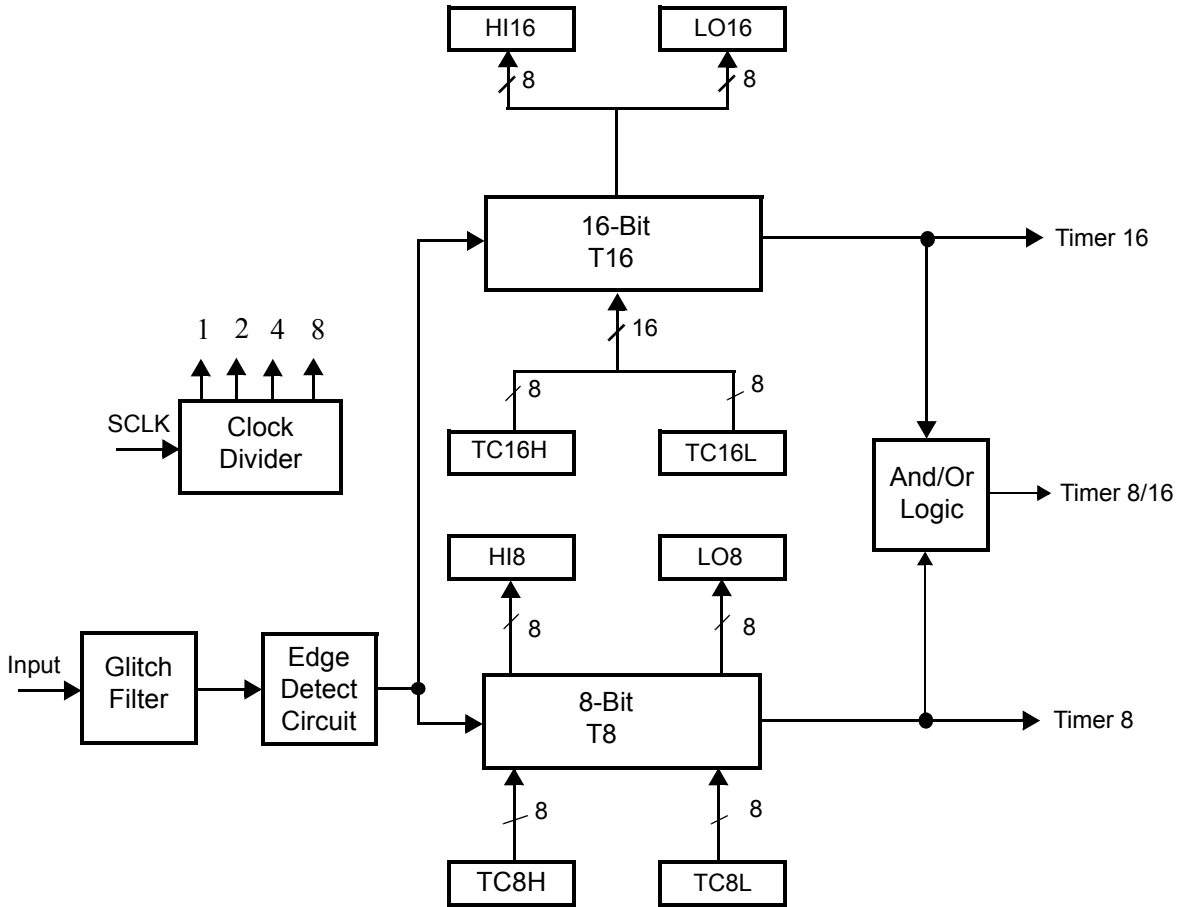
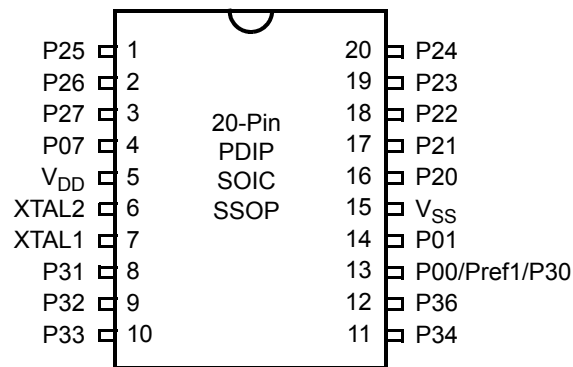


Figure 2. Counter/Timers Diagram



# Pin Description

The pin configuration for the 20-pin PDIP/SOIC/SSOP is displayed in Figure 3 and described in Table 3. The pin configuration for the 28-pin PDIP/SOIC/SSOP are depicted in Figure 4 and described in Table 4. The pin configurations for the 40-pin PDIP and 48-pin SSOP versions are displayed in Figure 5, Figure 6, and described in Table 5.



**Figure 3. 20-Pin PDIP/SOIC/SSOP Pin Configuration**

**Table 3. 20-Pin PDIP/SOIC/SSOP Pin Identification**

| Pin No | Symbol          | Function   | Direction                                   |
|--------|-----------------|--|---|
| 1–3    | P25–P27         | Port 2, Bits 5,6,7                                   | Input/Output                                |
| 4      | P07             | Port 0, Bit 7  | Input/Output                                |
| 5      | V <sub>DD</sub> | Power Supply   |   |
| 6      | XTAL2           | Crystal Oscillator Clock                             | Output                                      |
| 7      | XTAL1           | Crystal Oscillator Clock                             | Input                                       |
| 8–10   | P31–P33         | Port 3, Bits 1,2,3                                   | Input                                       |
| 11,12  | P34, P36        | Port 3, Bits 4,6                                     | Output                                      |
| 13     | P00/Pref1/P30   | Port 0, Bit 0/Analog reference input<br>Port 3 Bit 0 | Input/Output for P00<br>Input for Pref1/P30 |
| 14     | P01             | Port 0, Bit 1  | Input/Output                                |
| 15     | V <sub>SS</sub> | Ground   |   |
| 16–20  | P20–P24         | Port 2, Bits 0,1,2,3,4                               | Input/Output                                |

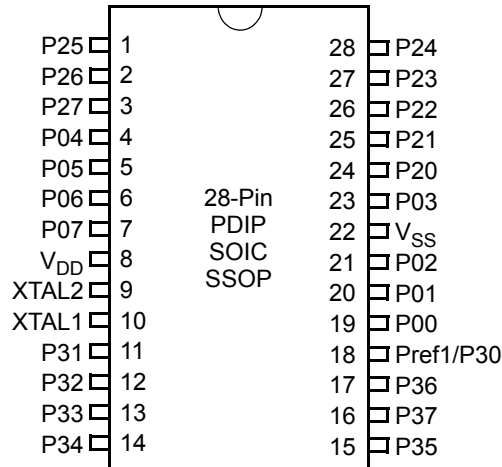


Figure 4. 28-Pin PDIP/SOIC/SSOP Pin Configuration

Table 4. 28-Pin PDIP/SOIC/SSOP Pin Identification

| Pin No | Symbol                    | Direction    | Description   |
|--------|---------------------------|--------------|---|
| 1-3    | P25-P27                   | Input/Output | Port 2, Bits 5, 6, 7  |
| 4-7    | P04-P07                   | Input/Output | Port 0, Bits 4, 5, 6, 7   |
| 8      | V <sub>DD</sub>           |              | Power supply  |
| 9      | XTAL2                     | Output       | Crystal, oscillator clock   |
| 10     | XTAL1                     | Input        | Crystal, oscillator clock   |
| 11-13  | P31-P33                   | Input        | Port 3, Bits 1, 2, 3  |
| 14     | P34                       | Output       | Port 3, Bit 4   |
| 15     | P35                       | Output       | Port 3, Bit 5   |
| 16     | P37                       | Output       | Port 3, Bit 7   |
| 17     | P36                       | Output       | Port 3, Bit 6   |
| 18     | Pref1/P30<br>Port 3 Bit 0 | Input        | Analog ref input; connect to V <sub>CC</sub> if not used<br>Input for Pref1/P30 |
| 19-21  | P00-P02                   | Input/Output | Port 0, Bits 0, 1, 2  |
| 22     | V <sub>SS</sub>           |              | Ground  |
| 23     | P03                       | Input/Output | Port 0, Bit 3   |
| 24-28  | P20-P24                   | Input/Output | Port 2, Bits 0–4  |

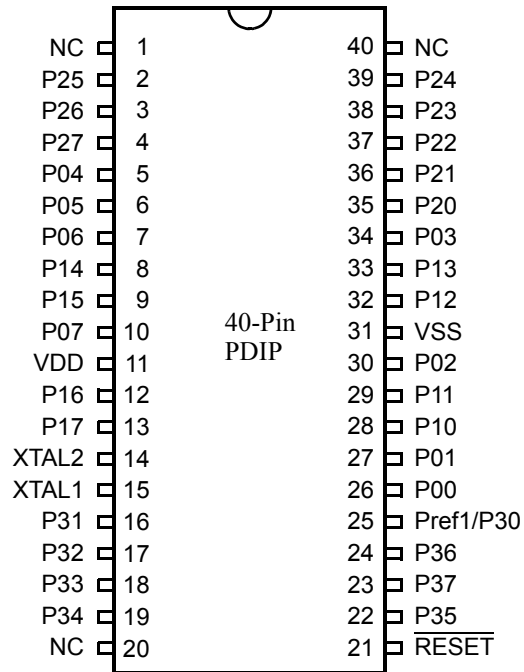


Figure 5. 40-Pin PDIP Pin Configuration

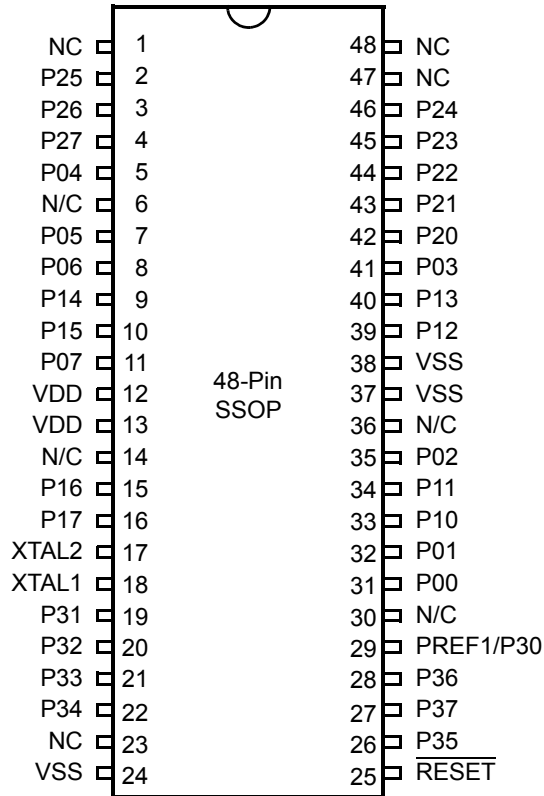


Figure 6. 48-Pin SSOP Pin Configuration

Table 5. 40- and 48-Pin Configuration

| 40-Pin PDIP No | 48-Pin SSOP No | Symbol |
|----------------|----------------|--------|
| 26             | 31             | P00    |
| 27             | 32             | P01    |
| 30             | 35             | P02    |
| 34             | 41             | P03    |
| 5              | 5              | P04    |
| 6              | 7              | P05    |
| 7              | 8              | P06    |
| 10             | 11             | P07    |
| 28             | 33             | P10    |
| 29             | 34             | P11    |

**Table 5. 40- and 48-Pin Configuration (Continued)**

| 40-Pin PDIP No | 48-Pin SSOP No | Symbol          |
|----------------|----------------|-----------------|
| 32             | 39             | P12             |
| 33             | 40             | P13             |
| 8              | 9              | P14             |
| 9              | 10             | P15             |
| 12             | 15             | P16             |
| 13             | 16             | P17             |
| 35             | 42             | P20             |
| 36             | 43             | P21             |
| 37             | 44             | P22             |
| 38             | 45             | P23             |
| 39             | 46             | P24             |
| 2              | 2              | P25             |
| 3              | 3              | P26             |
| 4              | 4              | P27             |
| 16             | 19             | P31             |
| 17             | 20             | P32             |
| 18             | 21             | P33             |
| 19             | 22             | P34             |
| 22             | 26             | P35             |
| 24             | 28             | P36             |
| 23             | 27             | P37             |
| 20             | 23             | NC              |
| 40             | 47             | NC              |
| 1              | 1              | NC              |
| 21             | 25             | RESET           |
| 15             | 18             | XTAL1           |
| 14             | 17             | XTAL2           |
| 11             | 12, 13         | V <sub>DD</sub> |
| 31             | 24, 37, 38     | V <sub>SS</sub> |
| 25             | 29             | Pref1/P30       |
|                | 48             | NC              |
|                | 6              | NC              |

**Table 5. 40- and 48-Pin Configuration (Continued)**

| 40-Pin PDIP No | 48-Pin SSOP No | Symbol |
|----------------|----------------|--------|
|                | 14             | NC     |
|                | 30             | NC     |
|                | 36             | NC     |

## Pin Functions

### XTAL1 Crystal 1 (Time-Based Input)

This pin connects a parallel-resonant crystal or ceramic resonator to the on-chip oscillator input. Additionally, an optional external single-phase clock can be coded to the on-chip oscillator input.

### XTAL2 Crystal 2 (Time-Based Output)

This pin connects a parallel-resonant crystal or ceramic resonator to the on-chip oscillator output.

## Input/Output Ports



**Caution:** *The CMOS input buffer for each Port 0, 1, or 2 pin is always connected to the pin, even when the pin is configured as an output. If the pin is configured as an open-drain output and no external signal is applied, a High output state can cause the CMOS input buffer to float. This might lead to excessive leakage current of more than 100  $\mu$ A. To prevent this leakage, connect the pin to an external signal with a defined logic level or ensure its output state is Low, especially during STOP mode.*

*Internal pull-ups are disabled on any given pin or group of port pins when programmed into output mode.*

*Port 0, 1, and 2 have both input and output capability. The input logic is always present no matter whether the port is configured as input or output. When doing a READ instruction, the MCU reads the actual value at the input logic but not from the output buffer. In addition, the instructions of OR, AND, and XOR have the Read-Modify-Write sequence. The MCU first reads the port, and then modifies the value and load back to the port.*

*Precaution must be taken if the port is configured as open-drain output or if the port is driving any circuit that makes the voltage different from the desired output logic. For example, pins P00–P07 are not connected to anything else. If it is configured as*

*open-drain output with output logic as ONE, it is a floating port and reads back as ZERO. The following instruction sets P00-P07 all Low.*

```
AND P0, #%F0
```

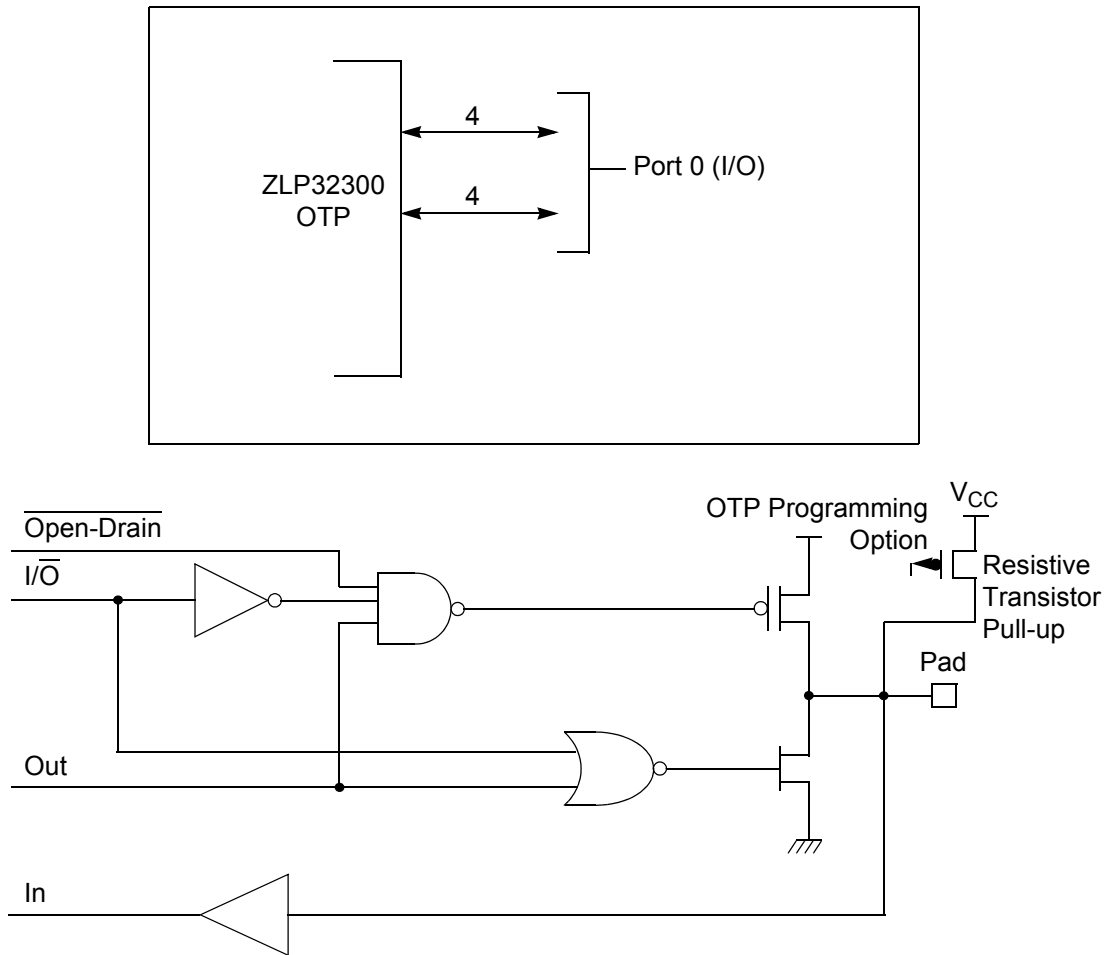
### **Port 0 (P00–P07)**

Port 0 is an 8-bit, bidirectional, CMOS-compatible port. These eight I/O lines are configured under software control as a nibble I/O port. The output drivers are push-pull or open-drain controlled by bit D2 in the PCON register.

If one or both nibbles are needed for I/O operation, they must be configured by writing to the Port 01 mode register (P01M). After a hardware reset or Stop Mode Recovery, Port 0 is configured as an input port.

An optional pull-up transistor is available as a OTP option bit on all Port 0 bits with nibble select.

► **Note:** *The Port 0 direction is reset to be input following an SMR.*



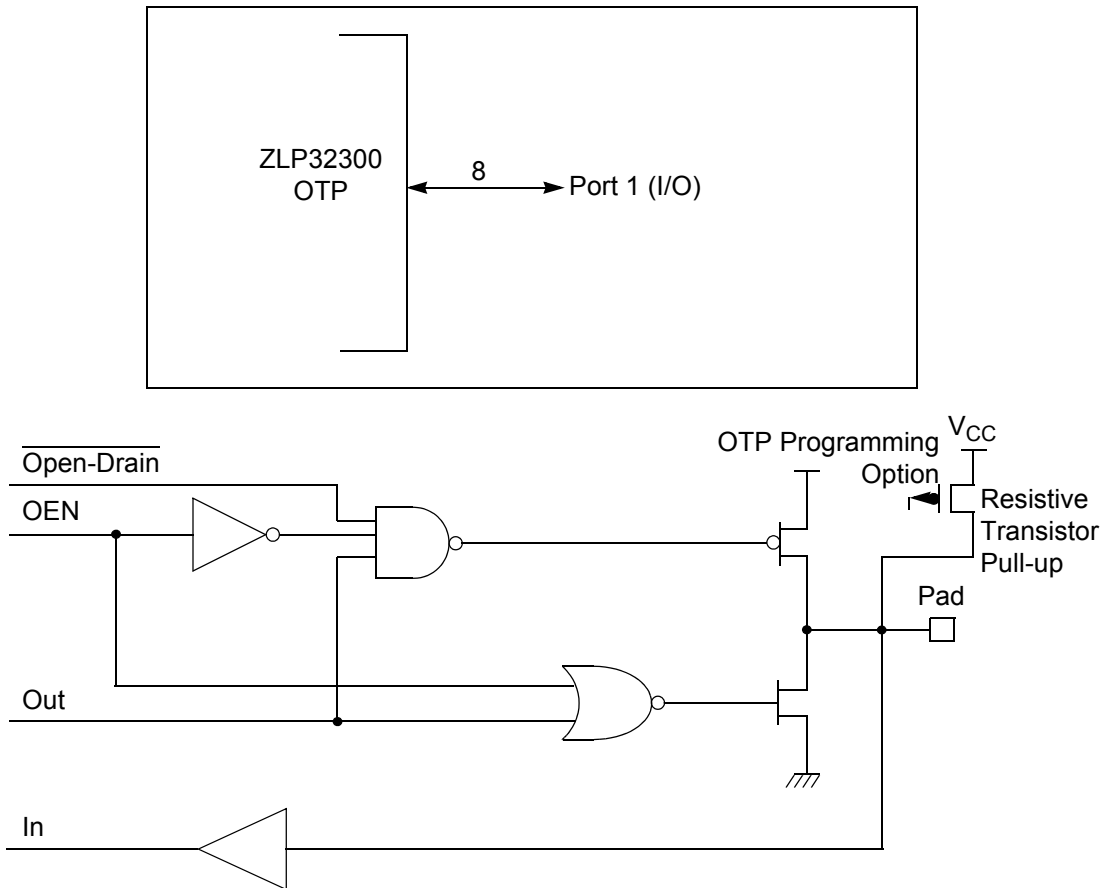
**Figure 7. Port 0 Configuration**

### Port 1 (P17–P10)

Port 1 can be configured for standard port input or output mode (see [Figure 8](#)). After POR or Stop Mode Recovery, Port 1 is configured as an input port. The output drivers are either push-pull or open-drain and are controlled by bit D1 in the PCON register.

- **Notes:**
1. The Port 1 direction is reset to be input following an SMR.
  2. In 20- and 28-pin packages, Port 1 is reserved. A write to this register will have no effect and will always read FF.



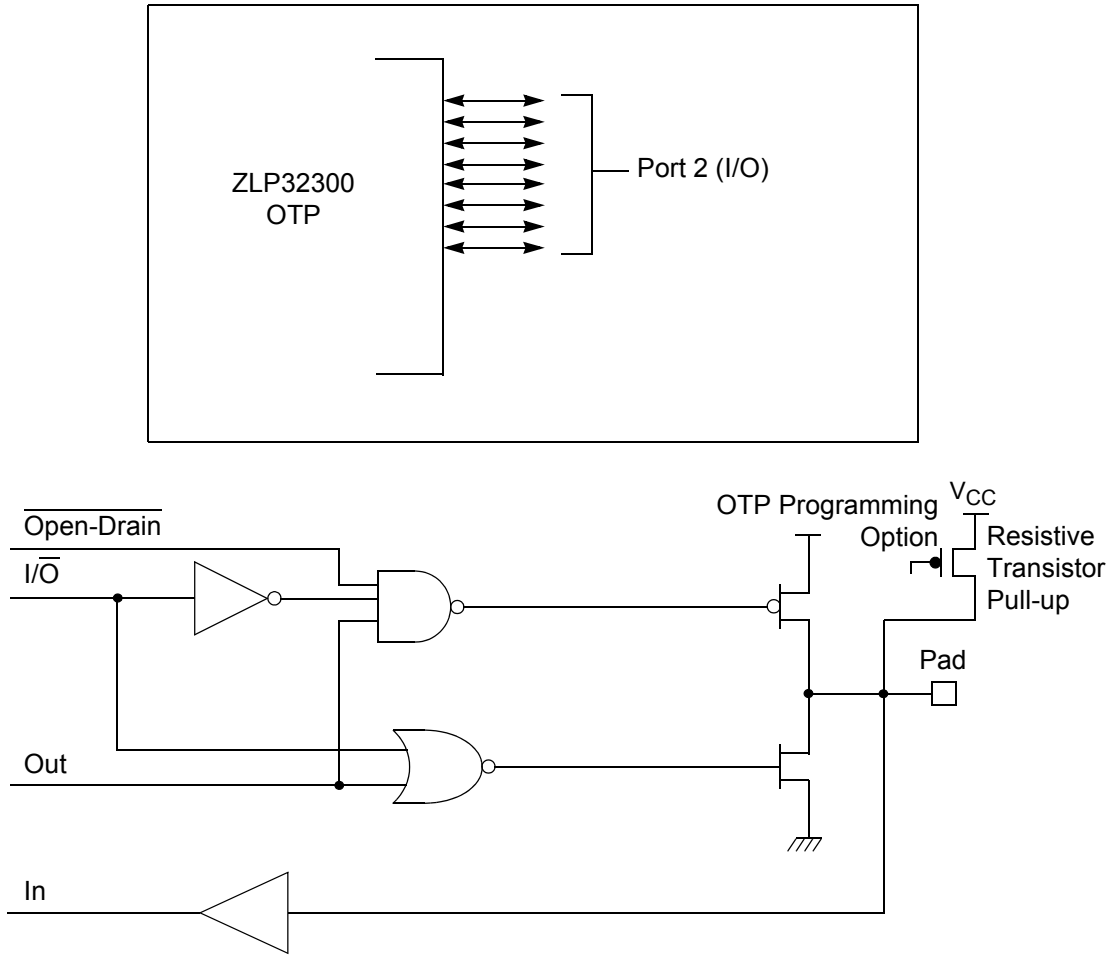


**Figure 8. Port 1 Configuration**

### Port 2 (P27–P20)

Port 2 is an 8-bit, bidirectional, CMOS-compatible I/O port (see [Figure 9](#)). These eight I/O lines can be independently configured under software control as inputs or outputs. Port 2 is always available for I/O operation. A EPROM option bit is available to connect eight pull-up transistors on this port. Bits programmed as outputs are globally programmed as either push-pull or open-drain. The POR resets with the eight bits of Port 2 configured as inputs.

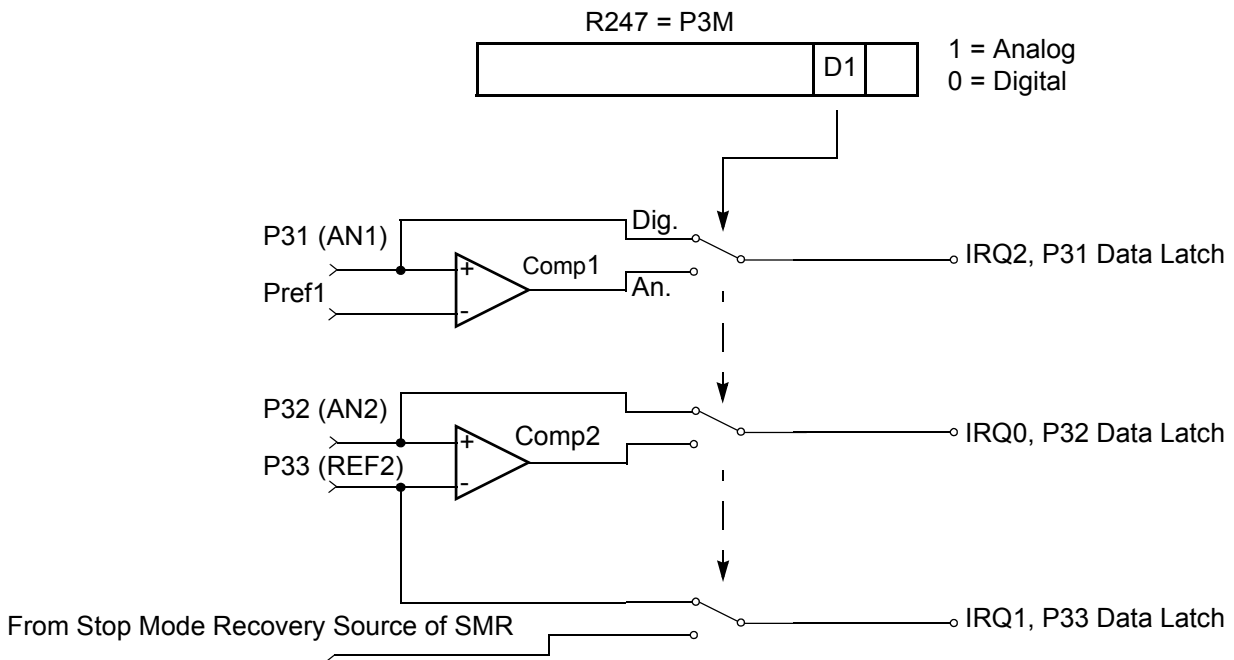
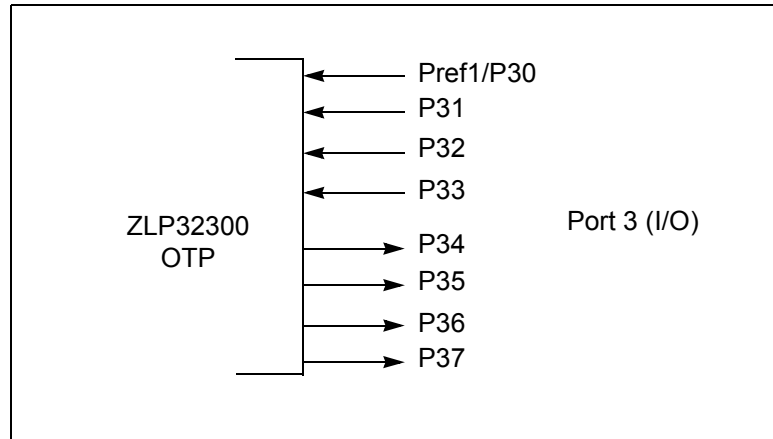
Port 2 also has an 8-bit input OR and AND gate, which can be used to wake up the part. P20 can be programmed to access the edge-detection circuitry in DEMODULATION mode.



**Figure 9. Port 2 Configuration**

**Port 3 (P37–P30)**

Port 3 is a 8-bit, CMOS-compatible fixed I/O port (see [Figure 10](#)). Port 3 consists of four fixed input (P33–P30) and four fixed output (P37–P34), which can be configured under software control for interrupt and as output from the counter/timers. P30, P31, P32, and P33 are standard CMOS inputs; P34, P35, P36, and P37 are push-pull outputs.



**Figure 10. Port 3 Configuration**

Two on-board comparators process analog signals on P31 and P32, with reference to the voltage on Pref1 and P33. The Analog function is enabled by programming the Port 3 Mode Register (bit 1). P31 and P32 are programmable as rising, falling, or both edge triggered interrupts (IRQ register bits 6 and 7). Pref1 and P33 are the comparator reference voltage inputs. Access to the Counter Timer edge-detection circuit is through P31 or P20

(see [T8 and T16 Common Functions—CTR1\(0D\)01h](#) on page 28). Other edge detect and IRQ modes are described in [Table 6](#).

- **Note:** *Comparators are powered down by entering STOP mode. For P31–P33 to be used in a Stop Mode Recovery source, these inputs must be placed into DIGITAL mode.*

**Table 6. Port 3 Pin Function Summary**

| Pin       | I/O | Counter/Timers | Comparator | Interrupt |
|-----------|-----|----------------|------------|-----------|
| Pref1/P30 | IN  |                | RF1        |           |
| P31       | IN  | IN             | AN1        | IRQ2      |
| P32       | IN  |                | AN2        | IRQ0      |
| P33       | IN  |                | RF2        | IRQ1      |
| P34       | OUT | T8             | AO1        |           |
| P35       | OUT | T16            |            |           |
| P36       | OUT | T8/16          |            |           |
| P37       | OUT |                | AO2        |           |
| P20       | I/O | IN             |            |           |

Port 3 also provides output for each of the counter/timers and the AND/OR Logic (see [Figure 11](#)). Control is performed by programming bits D5–D4 of CTR1, bit 0 of CTR0, and bit 0 of CTR2.

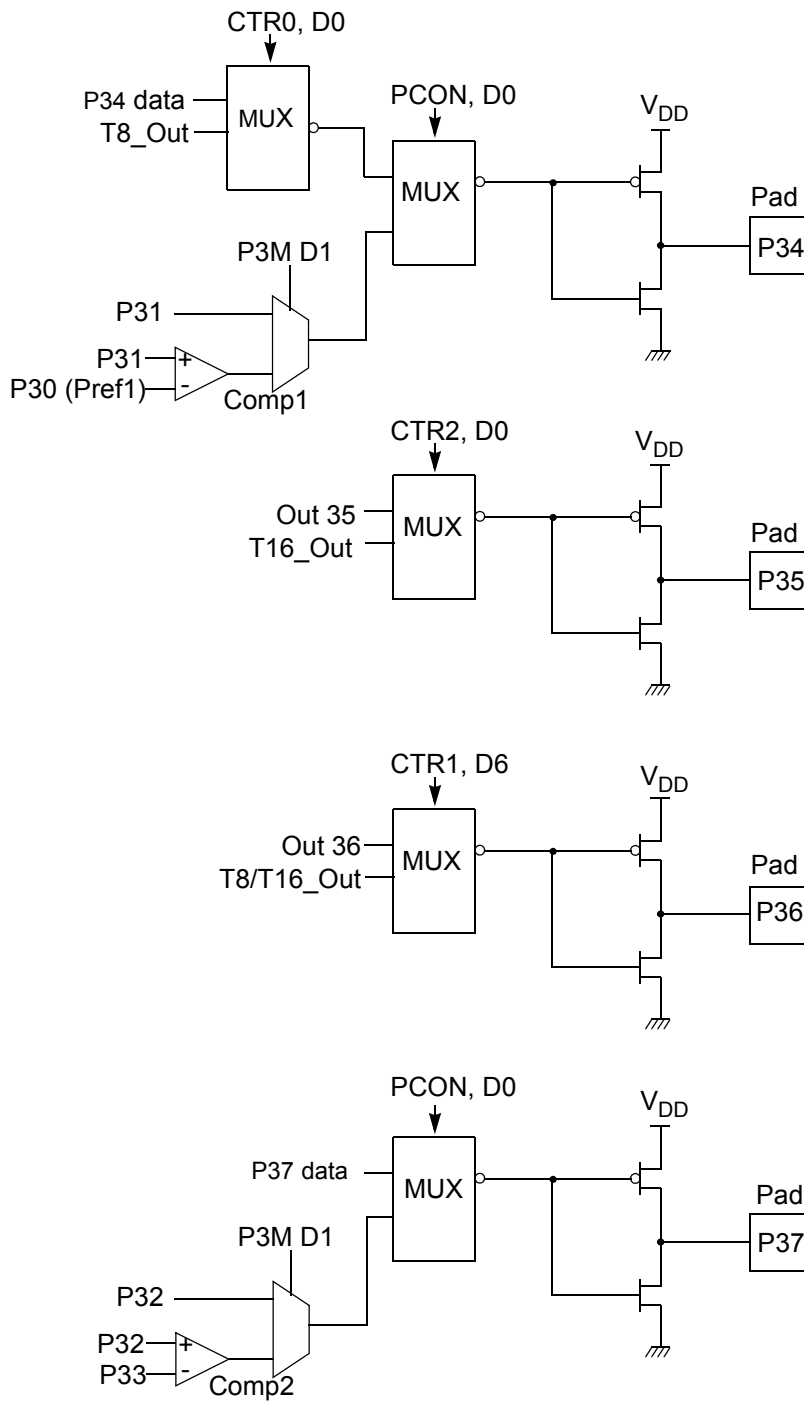


Figure 11. Port 3 Counter/Timer Output Configuration

### Comparator Inputs

In ANALOG mode, P31 and P32 have a comparator front end. The comparator reference is supplied to P33 and Pref1. In this mode, the P33 internal data latch and its corresponding IRQ1 are diverted to the SMR sources (excluding P31, P32, and P33) as displayed in [Figure 10](#) on page 15. In DIGITAL mode, P33 is used as D3 of the Port 3 input register, which then generates IRQ1.

- **Note:** *Comparators are powered down by entering STOP mode. For P31–P33 to be used in a Stop Mode Recovery source, these inputs must be placed into DIGITAL mode.*

### Comparator Outputs

These channels can be programmed to be output on P34 and P37 through the PCON register.

### RESET (Input, Active Low)

Reset initializes the MCU and is accomplished either through Power-On, Watchdog Timer, Stop Mode Recovery, Low-Voltage detection, or external reset. During Power-On Reset and Watchdog Timer Reset, the internally generated reset drives the reset pin Low for the POR time. Any devices driving the external reset line must be open-drain to avoid damage from a possible conflict during reset conditions. Pull-up is provided internally.

When the ZLP32300 asserts (Low) the  $\overline{\text{RESET}}$  pin, the internal pull-up is disabled. The ZLP32300 does not assert the  $\overline{\text{RESET}}$  pin when under VBO.

- **Note:** *The external Reset does not initiate an exit from STOP mode.*

# Functional Description

This device incorporates special functions to enhance the Z8 functionality in consumer and battery-operated applications.

## Program Memory

This device addresses 32 KB of OTP memory. The first 12 bytes are reserved for interrupt vectors. These locations contain the six 16-bit vectors that correspond to the six available interrupts. See [Figure 12](#).

## RAM

This device features 256 B of RAM.

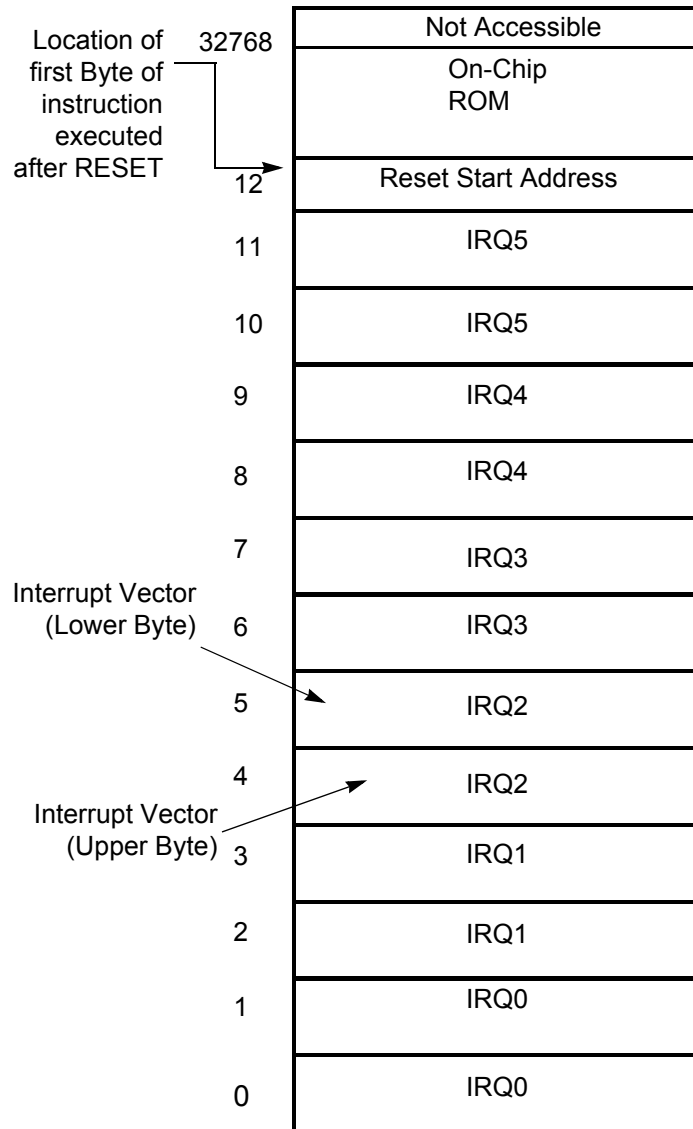


Figure 12. Program Memory Map (32 K OTP)

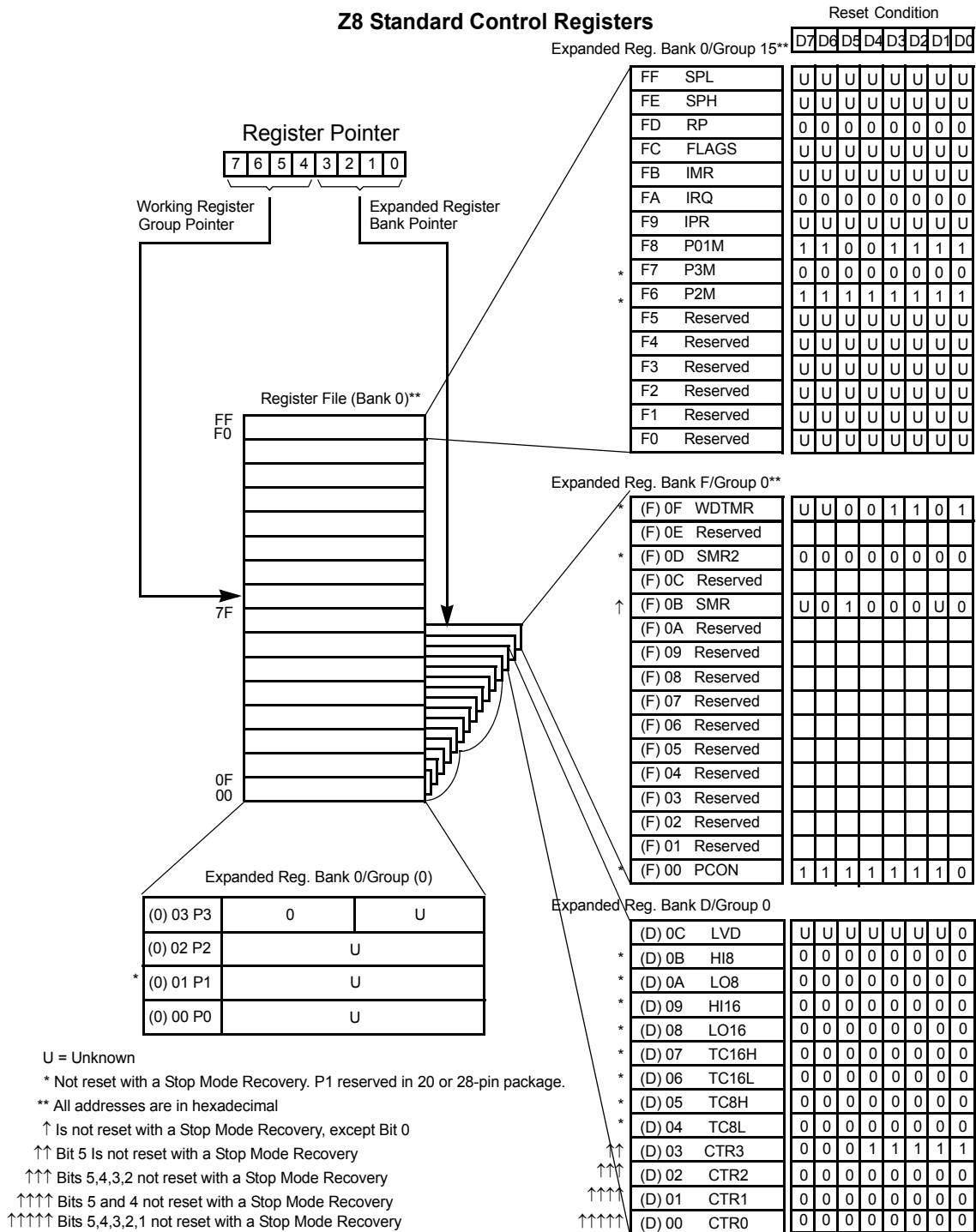
### Expanded Register File

The register file has been expanded to allow for additional system control registers and for mapping of additional peripheral devices into the register address area. The Z8 register address space (R0 through R15) has been implemented as 16 banks, with 16 registers per bank. These register groups are known as the ERF (Expanded Register File). Bits 7–4 of



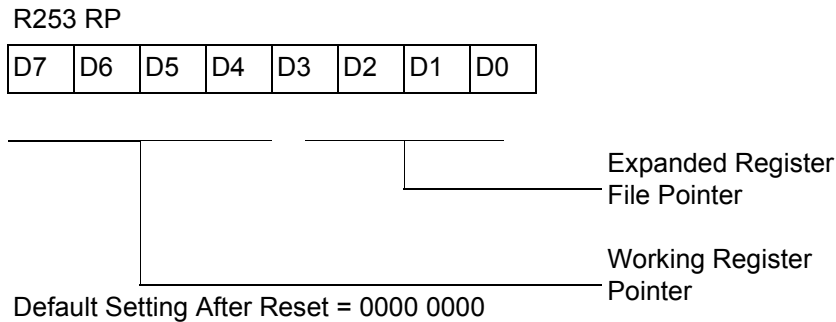
register RP select the working register group. Bits 3–0 of register RP select the expanded register file bank.

- ▶ **Note:** *An expanded register bank is also referred to as an expanded register group (see [Figure 13](#)).*



**Figure 13. Expanded Register File Architecture**

The upper nibble of the register pointer (see [Figure 14](#)) selects which working register group, of 16 bytes in the register file, is accessed out of the possible 256. The lower nibble selects the expanded register file bank and, in the case of the Crimzon ZLP32300 family, banks 0, F, and D are implemented. A 0h in the lower nibble allows the normal register file (bank 0) to be addressed. Any other value from 1h to Fh exchanges the lower 16 registers to an expanded register bank.



**Figure 14. Register Pointer**

**Example:** Crimzon ZLP32300 (see [Figure 13](#) on page 22)

R253 RP = 00h  
R0 = Port 0  
R1 = Port 1  
R2 = Port 2  
R3 = Port 3

But if:

R253 RP = 0Dh  
R0 = CTR0  
R1 = CTR1  
R2 = CTR2  
R3 = CTR3

The counter/timers are mapped into ERF group D. Access is easily performed using the following:

```
LD          RP, #0Dh          ; Select ERF D
for access to bank D

register group 0)
LD          R0, #xx          ; load CTR0
LD          1, #xx          ; load CTR1
```

```
LD          R1, 2          ; CTR2→CTR1

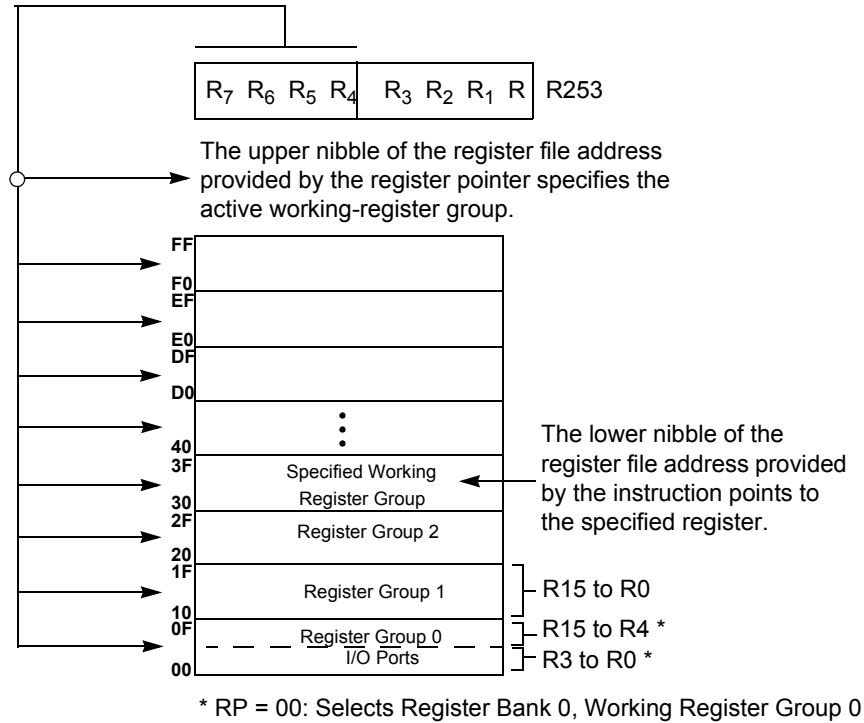
LD          RP, #0Dh      ; Select ERF D
for access to bank D

; (working
register group 0)
LD          RP, #7Dh      ; Select
expanded register bank D and working ; register
group 7 of bank 0 for access.
LD          71h, 2
; CTRL2→register 71h
LD          R1, 2
; CTRL2→register 71h
```

## Register File

The register file (bank 0) consists of 4 I/O port registers, 237 general-purpose registers, 16 control and status registers (R0–R3, R4–R239, and R240–R255, respectively), and two expanded registers groups in Banks D (see [Table 7](#) on page 27) and F. Instructions can access registers directly or indirectly through an 8-bit address field, thereby allowing a short, 4-bit register address to use the Register Pointer (see [Figure 15](#)). In the 4-bit mode, the register file is divided into 16 working register groups, each occupying 16 continuous locations. The Register Pointer addresses the starting location of the active working register group.

- **Note:** *Working register group E0–EF can only be accessed through working registers and indirect addressing modes.*



**Figure 15. Register Pointer—Detail**

## Stack

The internal register file is used for the stack. An 8-bit Stack Pointer SPL (R255) is used for the internal stack that resides in the general-purpose registers (R4–R239). SPH (R254) can be used as a general-purpose register.

## Timers

### T8\_Capture\_HI—HI8(D)0Bh

This register holds the captured data from the output of the 8-bit Counter/Timer0. Typically, this register holds the number of counts when the input signal is 1.

| Field         | Bit Position |     | Description             |
|---------------|--------------|-----|-------------------------|
| T8_Capture_HI | [7:0]        | R/W | Captured Data—No Effect |

**T8\_Capture\_LO—L08(D)0Ah**

This register holds the captured data from the output of the 8-bit Counter/Timer0. Typically, this register holds the number of counts when the input signal is 0.

| Field         | Bit Position | Description                 |
|---------------|--------------|-----------------------------|
| T8_Capture_LO | [7:0]        | R/W Captured Data—No Effect |

**T16\_Capture\_HI—HI16(D)09h**

This register holds the captured data from the output of the 16-bit Counter/Timer16. This register holds the MS-Byte of the data.

| Field          | Bit Position | Description                 |
|----------------|--------------|-----------------------------|
| T16_Capture_HI | [7:0]        | R/W Captured Data—No Effect |

**T16\_Capture\_LO—L016(D)08h**

This register holds the captured data from the output of the 16-bit Counter/Timer16. This register holds the LS-Byte of the data.

| Field          | Bit Position | Description                 |
|----------------|--------------|-----------------------------|
| T16_Capture_LO | [7:0]        | R/W Captured Data—No Effect |

**Counter/Timer2 MS-Byte Hold Register—TC16H(D)07h**

| Field       | Bit Position | Description |
|-------------|--------------|-------------|
| T16_Data_HI | [7:0]        | R/W Data    |

**Counter/Timer2 LS-Byte Hold Register—TC16L(D)06h**

| Field       | Bit Position | Description |
|-------------|--------------|-------------|
| T16_Data_LO | [7:0]        | R/W Data    |

### Counter/Timer8 High Hold Register—TC8H(D)05h

| Field       | Bit Position | Description |
|-------------|--------------|-------------|
| T8_Level_HI | [7:0]        | R/W Data    |

### Counter/Timer8 Low Hold Register—TC8L(D)04h

| Field       | Bit Position | Description |
|-------------|--------------|-------------|
| T8_Level_LO | [7:0]        | R/W Data    |

### CTR0 Counter/Timer8 Control Register—CTR0(D)00h

Table 7 lists and briefly describes the fields for this register.

**Table 7. CTR0(D)00h Counter/Timer8 Control Register**

| Field            | Bit Position |     | Value | Description                    |
|------------------|--------------|-----|-------|--------------------------------|
| T8_Enable        | 7-----       | R/W | 0*    | Counter Disabled               |
|                  |              |     | 1     | Counter Enabled                |
|                  |              |     | 0     | Stop Counter                   |
|                  |              |     | 1     | Enable Counter                 |
| Single/Modulo-N  | -6-----      | R/W | 0*    | Modulo-N                       |
|                  |              |     | 1     | Single Pass                    |
| Time_Out         | --5-----     | R/W | 0**   | No Counter Time-Out            |
|                  |              |     | 1     | Counter Time-Out Occurred      |
|                  |              |     | 0     | No Effect                      |
|                  |              |     | 1     | Reset Flag to 0                |
| T8_Clock         | ---43---     | R/W | 0 0** | SCLK                           |
|                  |              |     | 0 1   | SCLK/2                         |
|                  |              |     | 1 0   | SCLK/4                         |
|                  |              |     | 1 1   | SCLK/8                         |
| Capture_INT_Mask | ----2--      | R/W | 0**   | Disable Data Capture Interrupt |
|                  |              |     | 1     | Enable Data Capture Interrupt  |
| Counter_INT_Mask | -----1-      | R/W | 0**   | Disable Time-Out Interrupt     |
|                  |              |     | 1     | Enable Time-Out Interrupt      |
| P34_Out          | -----0       | R/W | 0*    | P34 as Port Output             |
|                  |              |     | 1     | T8 Output on P34               |

\*Indicates the value upon Power-On Reset.

\*\*Indicates the value upon Power-On Reset. Not reset with a Stop Mode Recovery.

### T8 Enable

This field enables T8 when set (written) to 1.

### Single/Modulo-N

When set to 0 (Modulo-N), the counter reloads the initial value when the terminal count is reached. When set to 1 (single-pass), the counter stops when the terminal count is reached.

### Timeout

This bit is set when T8 times out (terminal count reached). To reset this bit, write a 1 to its location.



**Caution:** *Writing a 1 is the only way to reset the Terminal Count status condition. Reset this bit before using/enabling the counter/timers. The first clock of T8 might not have complete clock width and can occur any time when enabled.*



**Note:** *Ensure to manipulate CTR0, bit 5 and CTR1, bits 0 and 1 (DEMODULATION mode) when using the OR or AND commands. These instructions use a Read-Modify-Write sequence in which the current status from the CTR0 and CTR1 registers is ORed or ANDed with the designated value and then written back into the registers.*

### T8 Clock

These bits define the frequency of the input signal to T8.

### Capture\_INT\_Mask

Set this bit to allow an interrupt when data is captured into either LO8 or HI8 upon a positive or negative edge detection in DEMODULATION mode.

### Counter\_INT\_Mask

Set this bit to allow an interrupt when T8 has a timeout.

### P34\_Out

This bit defines whether P34 is used as a normal output pin or the T8 output.

### T8 and T16 Common Functions—CTR1(0D)01h

This register controls the functions in common with the T8 and T16.

[Table 8](#) lists and briefly describes the fields for this register.



**Table 8. CTR1(0D)01h T8 and T16 Common Functions**

| Field                              | Bit Position |        | Value | Description                            |
|------------------------------------|--------------|--------|-------|--|
| Mode                               | 7-----       | R/W    | 0*    | TRANSMIT Mode                          |
|                                    |              |        | 1     | DEMODULATION Mode                      |
| P36_Out/<br>Demodulator_Input      | -6-----      | R/W    | 0*    | TRANSMIT Mode<br>Port Output           |
|                                    |              |        | 1     | T8/T16 Output                          |
|                                    |              |        | 0*    | DEMODULATION Mode<br>P31               |
|                                    |              |        | 1     | P20                                    |
| T8/T16_Logic/<br>Edge_Detect       | --54----     | R/W    | 00**  | TRANSMIT Mode<br>AND                   |
|                                    |              |        | 01    | OR                                     |
|                                    |              |        | 10    | NOR                                    |
|                                    |              |        | 11    | NAND                                   |
|                                    |              |        | 00**  | DEMODULATION Mode<br>Falling Edge      |
|                                    |              |        | 01    | Rising Edge                            |
|                                    |              |        | 10    | Both Edges                             |
|                                    |              |        | 11    | Reserved                               |
| Transmit_Submode/<br>Glitch_Filter | ----32--     | R/W    | 00*   | TRANSMIT Mode<br>Normal Operation      |
|                                    |              |        | 01    | PING-PONG Mode                         |
|                                    |              |        | 10    | T16_Out = 0                            |
|                                    |              |        | 11    | T16_Out = 1                            |
|                                    |              |        | 00*   | DEMODULATION Mode<br>No Filter         |
|                                    |              |        | 01    | 4 SCLK Cycle                           |
|                                    |              |        | 10    | 8 SCLK Cycle                           |
|                                    |              |        | 11    | Reserved                               |
| Initial_T8_Out/<br>Rising Edge     | -----1-      | R/W    | 0*    | TRANSMIT Mode<br>T8_OUT is 0 Initially |
|                                    |              |        | 1     | T8_OUT is 1 Initially                  |
|                                    |              | R<br>W | 0*    | DEMODULATION Mode<br>No Rising Edge    |
|                                    |              |        | 1     | Rising Edge Detected                   |
|                                    |              |        | 0     | No Effect                              |
|                                    |              |        | 1     | Reset Flag to 0                        |

**Table 8. CTR1(0D)01h T8 and T16 Common Functions (Continued)**

| Field                            | Bit Position |                 | Value | Description                                      |
|----------------------------------|--------------|-----------------|-------|--|
| Initial_T16_Out/<br>Falling_Edge | -----0       | R/W             | 0*    | TRANSMIT Mode                                    |
|                                  |              |                 | 1     | T16_OUT is 0 Initially<br>T16_OUT is 1 Initially |
|                                  |              | R               | 0*    | DEMODULATION Mode                                |
|                                  |              |                 | 1     | No Falling Edge<br>Falling Edge Detected         |
| W                                | 0            | No Effect       |       |  |
|                                  | 1            | Reset Flag to 0 |       |  |

\*Default at Power-On Reset

\*\*Default at Power-On Reset. Not reset with a Stop Mode Recovery.

**Mode**

If the result is 0, the counter/timers are in TRANSMIT mode; otherwise, they are in DEMODULATION mode.

**P36\_Out/Demodulator\_Input**

In TRANSMIT mode, this bit defines whether P36 is used as a normal output pin or the combined output of T8 and T16.

In DEMODULATION mode, this bit defines whether the input signal to the Counter/Timers is from P20 or P31.

If the input signal is from Port 31, a capture event may also generate an IRQ2 interrupt. To prevent generating an IRQ2, either disable the IRQ2 interrupt by clearing its IMR bit D2 or use P20 as the input.

**T8/T16\_Logic/Edge\_Detect**

In TRANSMIT mode, this field defines how the outputs of T8 and T16 are combined (AND, OR, NOR, NAND).

In DEMODULATION mode, this field defines which edge should be detected by the edge detector.

**Transmit\_Submode/Glitch\_Filter**

In TRANSMIT mode, this field defines whether T8 and T16 are in the PING-PONG mode or in independent normal operation mode. Setting this field to normal operation mode terminates the 'PING-PONG Mode' operation. When set to 10, T16 is immediately forced to a 0; a setting of 11 forces T16 to output a 1.

In DEMODULATION mode, this field defines the width of the glitch that must be filtered out.

### Initial\_T8\_Out/Rising\_Edge

In TRANSMIT mode, if 0, the output of T8 is set to 0 when it starts to count. If 1, the output of T8 is set to 1 when it starts to count. When the counter is not enabled and this bit is set to 1 or 0, T8\_OUT is set to the opposite state of this bit. This ensures that when the clock is enabled, a transition occurs to the initial state set by CTR1, D1.

In DEMODULATION mode, this bit is set to 1 when a rising edge is detected in the input signal. In order to reset the mode, a 1 should be written to this location.

### Initial\_T16 Out/Falling\_Edge

In TRANSMIT mode, if it is 0, the output of T16 is set to 0 when it starts to count. If it is 1, the output of T16 is set to 1 when it starts to count. This bit is effective only in Normal or PING-PONG mode (CTR1, D3; D2). When the counter is not enabled and this bit is set, T16\_OUT is set to the opposite state of this bit. This ensures that when the clock is enabled, a transition occurs to the initial state set by CTR1, D0.

In DEMODULATION mode, this bit is set to 1 when a falling edge is detected in the input signal. In order to reset it, a 1 should be written to this location.

► **Note:** *Modifying CTR1 (D1 or D0) while the counters are enabled causes unpredictable output from T8/T16\_OUT.*

### CTR2 Counter/Timer 16 Control Register—CTR2(D)02h

Table 9 lists and briefly describes the fields for this register.

**Table 9. CTR2(D)02h: Counter/Timer16 Control Register**

| Field           | Bit Position |     | Value | Description                 |
|-----------------|--------------|-----|-------|-----------------------------|
| T16_Enable      | 7-----       | R   | 0*    | Counter Disabled            |
|                 |              |     | 1     | Counter Enabled             |
|                 |              | W   | 0     | Stop Counter                |
|                 |              |     | 1     | Enable Counter              |
| Single/Modulo-N | -6-----      | R/W | 0*    | TRANSMIT Mode               |
|                 |              |     | 1     | Modulo-N                    |
|                 |              |     | 0     | Single Pass                 |
|                 |              |     | 1     | DEMODULATION Mode           |
| Time_Out        | --5-----     | R   | 0*    | T16 Recognizes Edge         |
|                 |              |     | 1     | T16 Does Not Recognize Edge |
|                 |              | W   | 0     | No Counter Timeout          |
|                 |              |     | 1     | Counter Timeout Occurred    |
|                 |              |     | 0     | No Effect                   |
|                 |              |     | 1     | Reset Flag to 0             |

**Table 9. CTR2(D)02h: Counter/Timer16 Control Register (Continued)**

| Field            | Bit Position |     | Value                  | Description   |
|------------------|--------------|-----|------------------------|---|
| T16_Clock        | ---43---     | R/W | 00**<br>01<br>10<br>11 | SCLK<br>SCLK/2<br>SCLK/4<br>SCLK/8                    |
| Capture_INT_Mask | -----2--     | R/W | 0**<br>1               | Disable Data Capture Int.<br>Enable Data Capture Int. |
| Counter_INT_Mask | -----1-      | R/W | 0<br>1                 | Disable Timeout Int.<br>Enable Timeout Int.           |
| P35_Out          | -----0       | R/W | 0*<br>1                | P35 as Port Output<br>T16 Output on P35               |

\*Indicates the value upon Power-On Reset.

\*\*Indicates the value upon Power-On Reset. Not reset with a Stop Mode Recovery.

### T16\_Enable

This field enables T16 when set to 1.

### Single/Modulo-N

In TRANSMIT mode, when set to 0, the counter reloads the initial value when it reaches the terminal count. When set to 1, the counter stops when the terminal count is reached.

In DEMODULATION mode, when set to 0, T16 captures and reloads on detection of all the edges. When set to 1, T16 captures and detects on the first edge but ignores the subsequent edges. For details, see [T16 DEMODULATION Mode](#) on page 41.

### Time\_Out

This bit is set when T16 times out (terminal count reached). To reset the bit, write a 1 to this location.

### T16\_Clock

This bit defines the frequency of the input signal to Counter/Timer16.

### Capture\_INT\_Mask

This bit is set to allow an interrupt when data is captured into LO16 and HI16.

### Counter\_INT\_Mask

Set this bit to allow an interrupt when T16 times out.

**P35\_Out**

This bit defines whether P35 is used as a normal output pin or T16 output.

**CTR3 T8/T16 Control Register—CTR3(D)03h**

Table 10 lists and briefly describes the fields for this register. This register allows the T<sub>8</sub> and T<sub>16</sub> counters to be synchronized.

**Table 10. CTR3 (D)03h: T8/T16 Control Register**

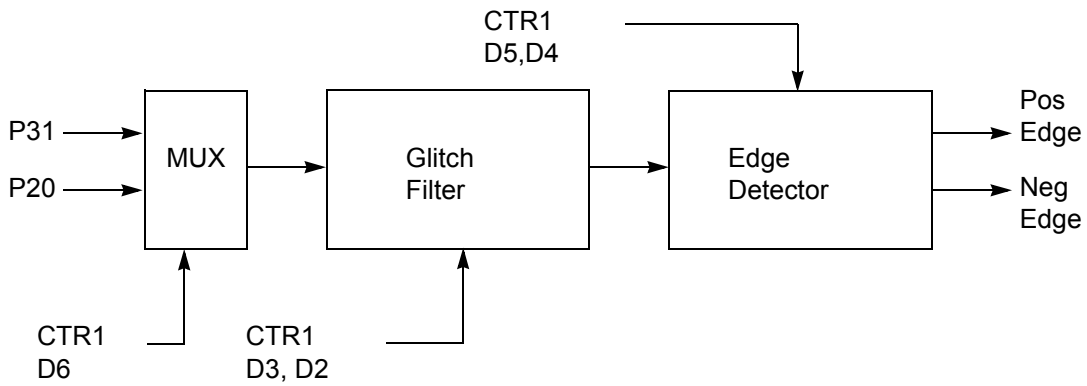
| Field                  | Bit Position |     | Value | Description        |
|------------------------|--------------|-----|-------|--------------------|
| T <sub>16</sub> Enable | 7-----       | R   | 0*    | Counter Disabled   |
|                        |              | R   | 1     | Counter Enabled    |
|                        |              | W   | 0     | Stop Counter       |
|                        |              | W   | 1     | Enable Counter     |
| T <sub>8</sub> Enable  | -6-----      | R   | 0*    | Counter Disabled   |
|                        |              | R   | 1     | Counter Enabled    |
|                        |              | W   | 0     | Stop Counter       |
|                        |              | W   | 1     | Enable Counter     |
| Sync Mode              | --5-----     | R/W | 0**   | Disable Sync Mode  |
|                        |              |     | 1     | Enable Sync Mode   |
| Reserved               | ---43210     | R   | 1     | Always reads 11111 |
|                        |              | W   | x     | No Effect          |

\*Indicates the value upon Power-On Reset.

\*\*Indicates the value upon Power-On Reset. Not reset with a Stop Mode Recovery.

**Counter/Timer Functional Blocks****Input Circuit**

The edge detector monitors the input signal on P31 or P20. Based on CTR1 D5–D4, a pulse is generated at the Pos Edge or Neg Edge line when an edge is detected. Glitches in the input signal that have a width less than specified (CTR1 D3, D2) are filtered out (see Figure 16).



**Figure 16. Glitch Filter Circuitry**

### T8 TRANSMIT Mode

Before T8 is enabled, the output of T8 depends on CTR1, D1. If it is 0, T8\_OUT is 1; if it is 1, T8\_OUT is 0. See [Figure 17](#).

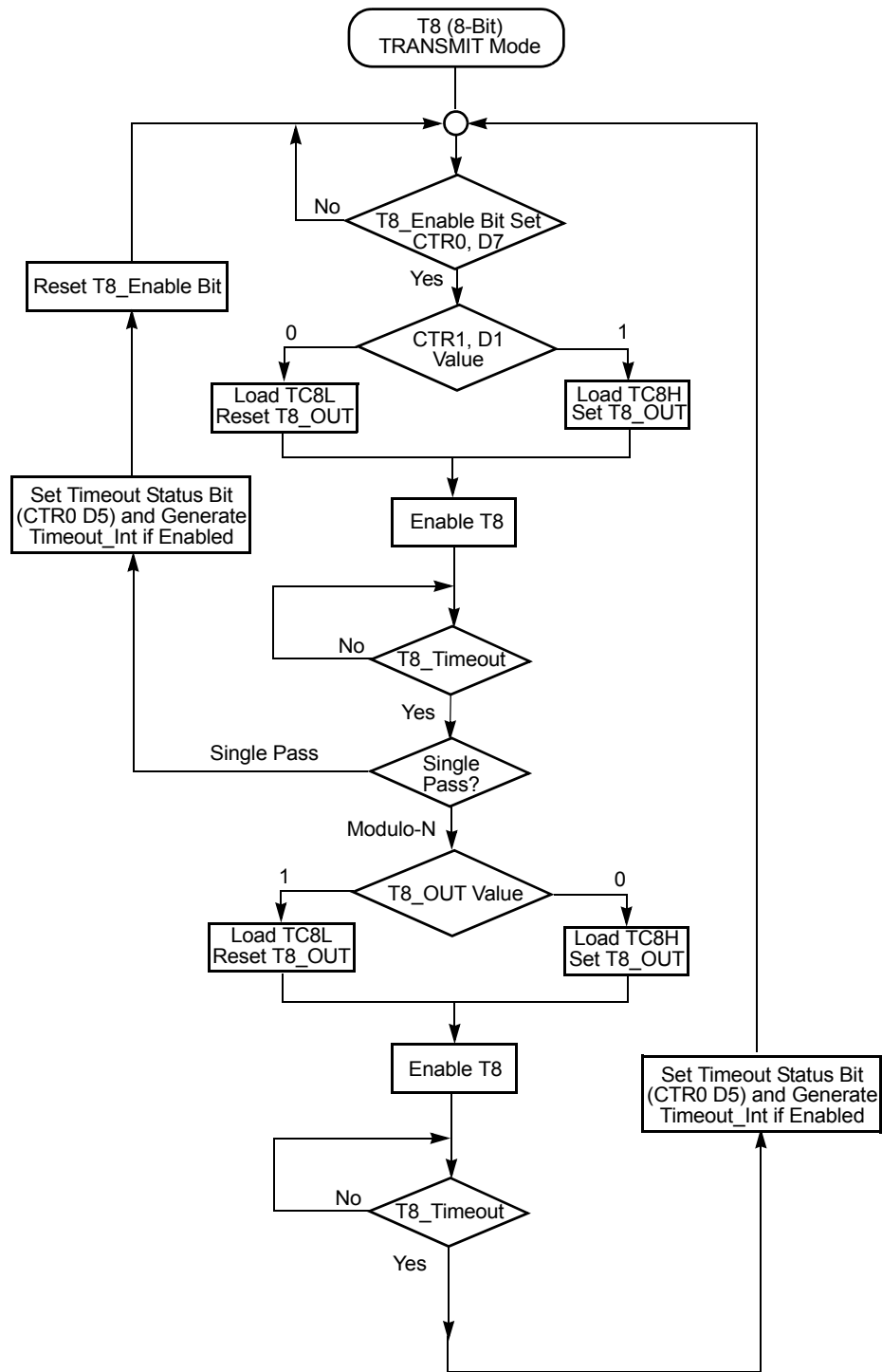


Figure 17. TRANSMIT Mode Flowchart

When T8 is enabled, the output T8\_OUT switches to the initial value (CTR1, D1). If the initial value (CTR1, D1) is 0, TC8L is loaded; otherwise, TC8H is loaded into the counter. In SINGLE-PASS mode (CTR0, D6), T8 counts down to 0 and stops, T8\_OUT toggles, the time-out status bit (CTR0, D5) is set, and a time-out interrupt can be generated if it is enabled (CTR0, D1). In MODULO-N mode, upon reaching terminal count, T8\_OUT is toggled, but no interrupt is generated. From that point, T8 loads a new count (if the T8\_OUT level now is 0), TC8L is loaded; if it is 1, TC8H is loaded. T8 counts down to 0, toggles T8\_OUT, and sets the time-out status bit (CTR0, D5), thereby generating an interrupt if enabled (CTR0, D1). One cycle is thus completed. T8 then loads from TC8H or TC8L according to the T8\_OUT level and repeats the cycle, see Figure 18.

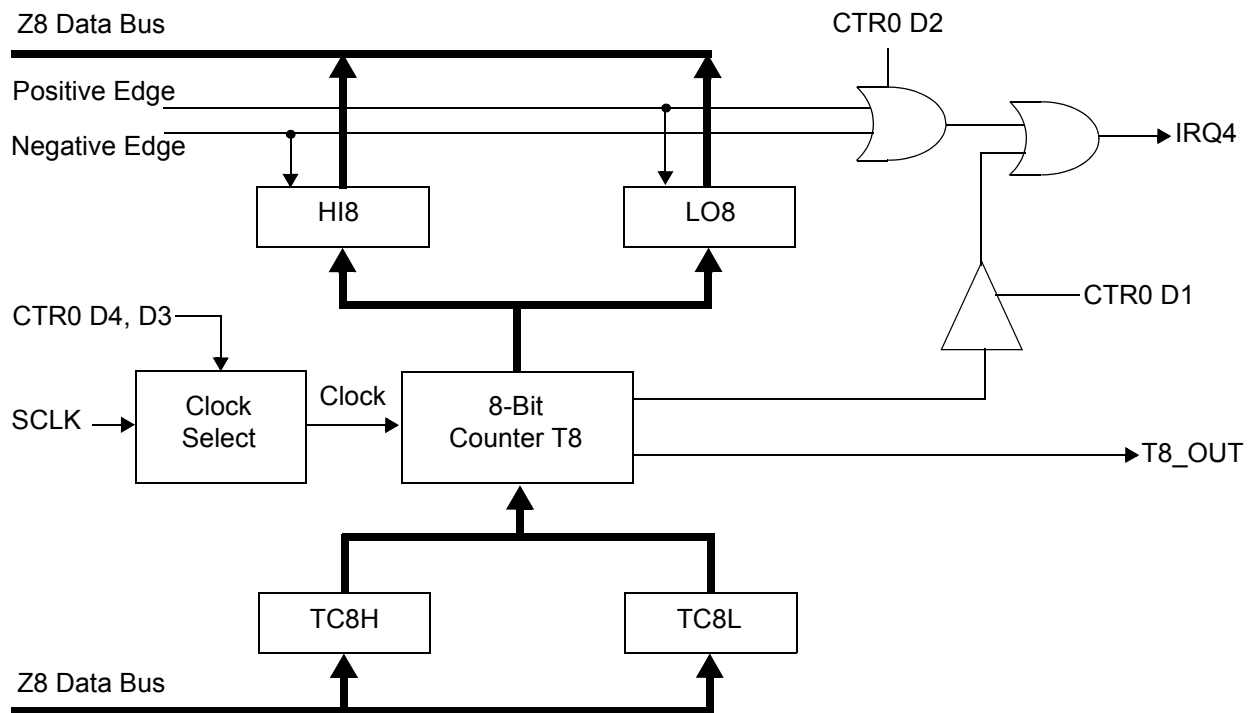


Figure 18. 8-Bit Counter/Timer Circuits

You can modify the values in TC8H or TC8L at any time. The new values take effect when they are loaded.



**Caution:** To ensure known operation do not write these registers at the time the values are to be loaded into the counter/timer. An initial count of 1 is not allowed (a non-function occurs). An initial count of 0 causes TC8 to count from 0 to FFh to FEh.



**Note:** The letter h denotes hexadecimal values.

Transition from 0 to FFh is not a timeout condition.





interrupt can be generated if enabled (CTR0, D1). T8 then continues counting from FFh (see Figure 21 and Figure 22).

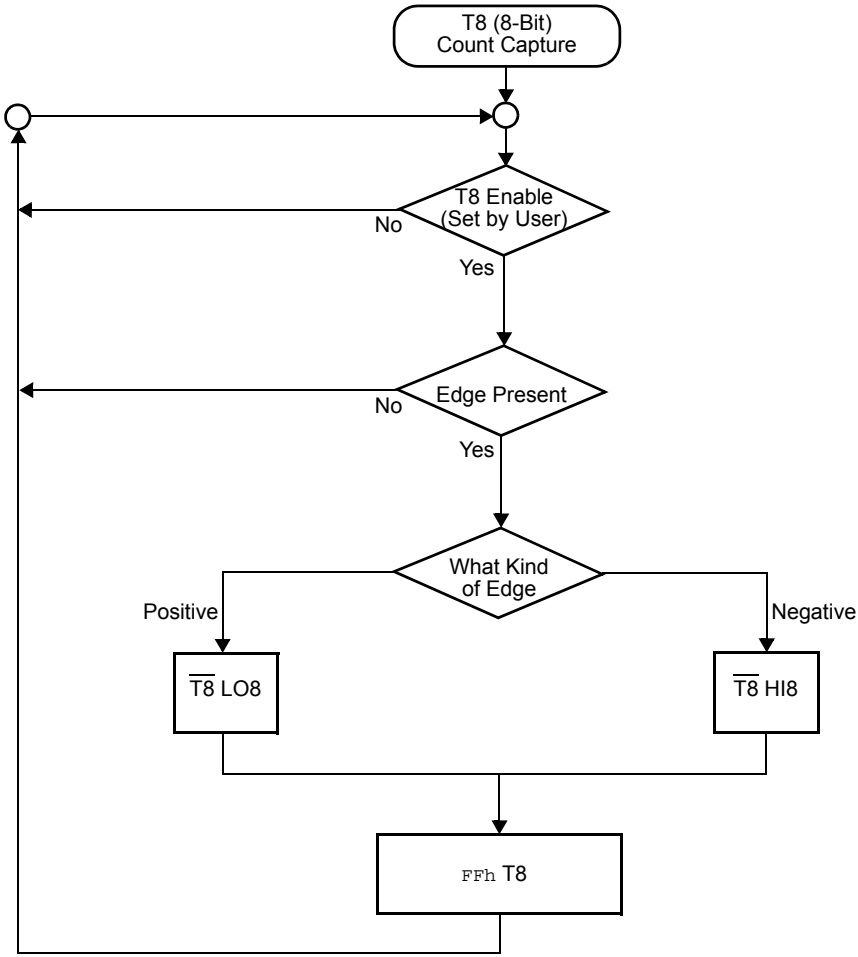


Figure 21. DEMODULATION Mode Count Capture Flowchart

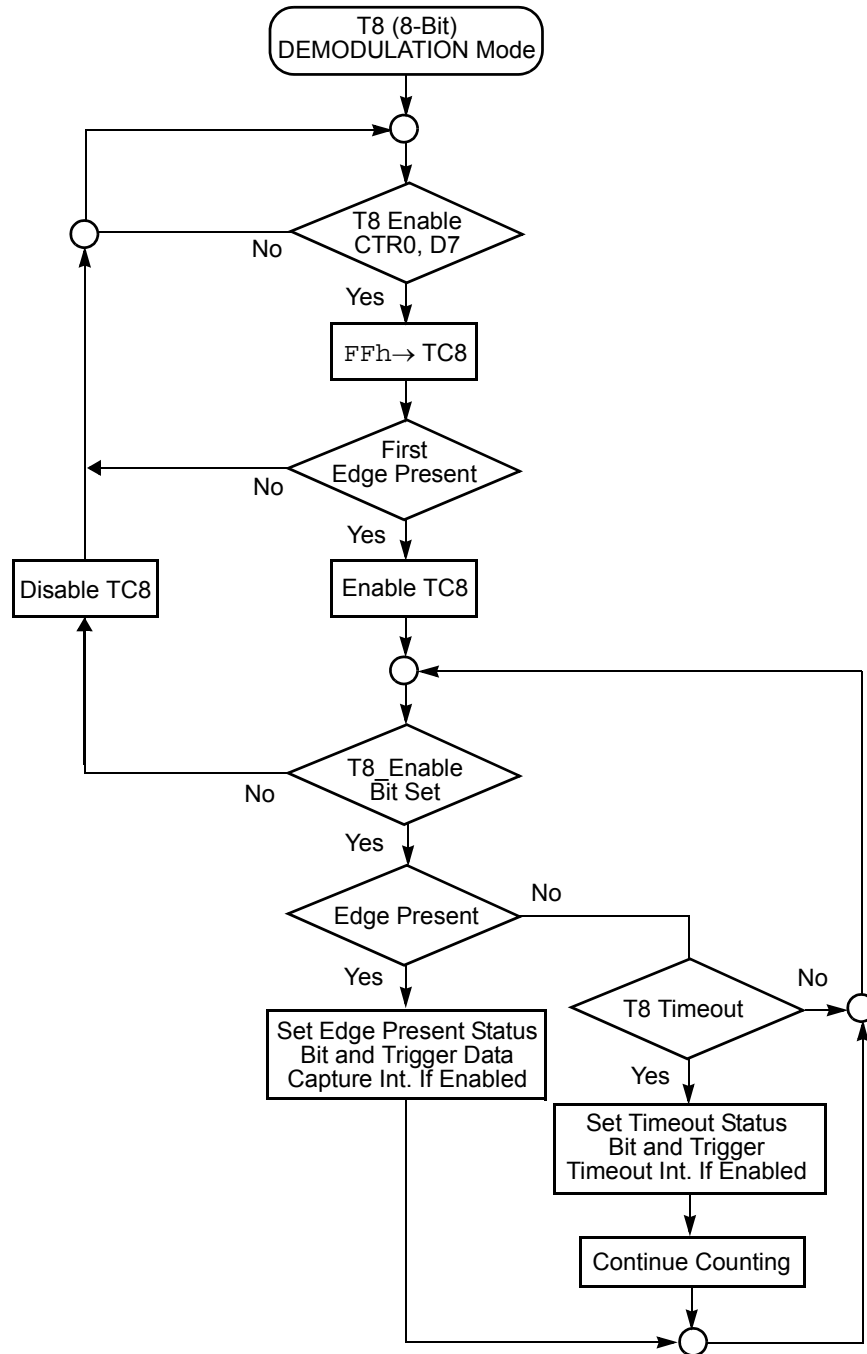
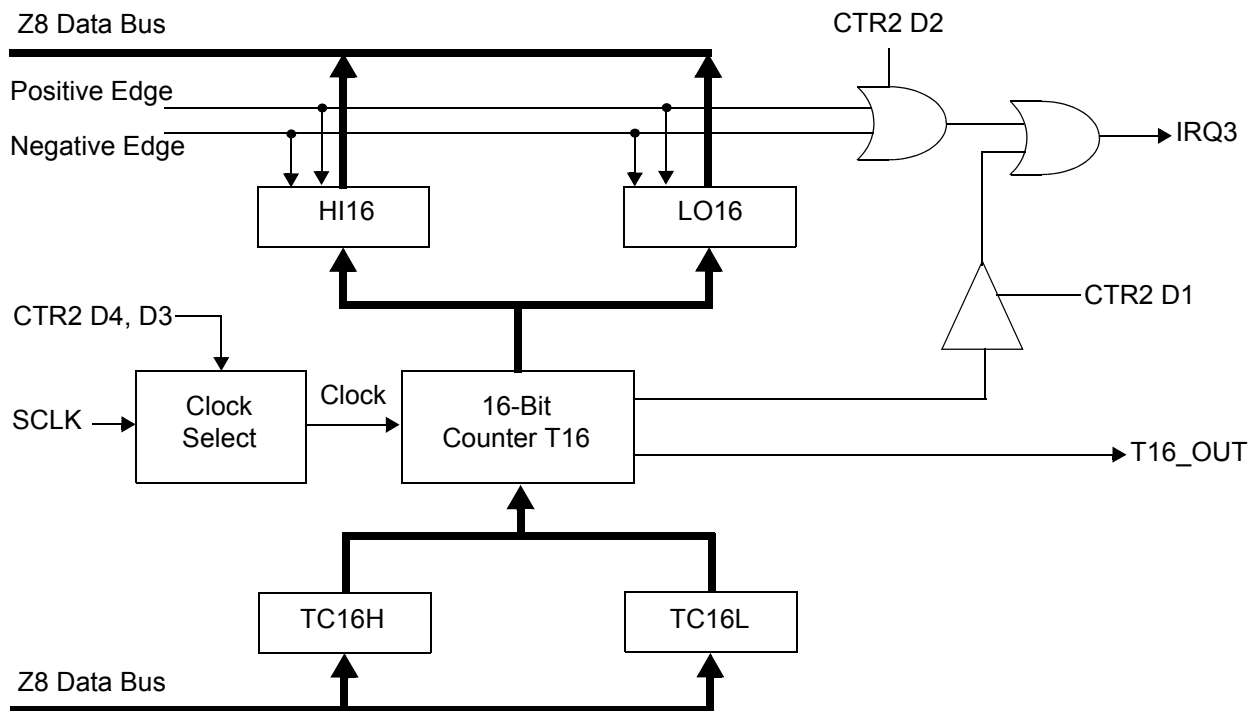


Figure 22. DEMODULATION Mode Flowchart

### T16 TRANSMIT Mode

In NORMAL or PING-PONG mode, the output of T16 when not enabled, is dependent on CTR1, D0. If it is a 0, T16\_OUT is a 1; if it is a 1, T16\_OUT is 0. You can force the output of T16 to either a 0 or 1 whether it is enabled or not by programming CTR1 D3; D2 to a 10 or 11.

When T16 is enabled, TC16H \* 256 + TC16L is loaded, and T16\_OUT is switched to its initial value (CTR1, D0). When T16 counts down to 0, T16\_OUT is toggled (in NORMAL or PING-PONG mode), an interrupt (CTR2, D1) is generated (if enabled), and a status bit (CTR2, D5) is set, see [Figure 23](#).



**Figure 23. 16-Bit Counter/Timer Circuits**

► **Note:** *Global interrupts override this function as described in [Interrupts](#) on page 43.*

If T16 is in SINGLE-PASS mode, it is stopped at this point (see [Figure 24](#)). If it is in MODULO-N mode, it is loaded with TC16H \* 256 + TC16L, and the counting continues (see [Figure 25](#)).

You can modify the values in TC16H and TC16L at any time. The new values take effect when they are loaded.



This T16 mode is generally used to measure space time, the length of time between bursts of carrier signal (marks).

#### If D6 of CTR2 Is 1

T16 ignores the subsequent edges in the input signal and continues counting down. A timeout of T8 causes T16 to capture its current value and generate an interrupt if enabled (CTR2, D2). In this case, T16 does not reload and continues counting. If the D6 bit of CTR2 is toggled (by writing a 0 then a 1 to it), T16 captures and reloads on the next edge (rising, falling, or both depending on CTR1, D5; D4), continuing to ignore subsequent edges.

This T16 mode generally measures mark time, the length of an active carrier signal burst.

If T16 reaches 0, T16 continues counting from  $FFFFh$ . Meanwhile, a status bit (CTR2 D5) is set, and an interrupt timeout can be generated if enabled (CTR2 D1).

#### PING-PONG Mode

This operation mode is only valid in TRANSMIT mode. T8 and T16 must be programmed in SINGLE-PASS mode (CTR0, D6; CTR2, D6), and PING-PONG mode must be programmed in CTR1, D3; D2. You can begin the operation by enabling either T8 or T16 (CTR0, D7 or CTR2, D7). For example, if T8 is enabled, T8\_OUT is set to this initial value (CTR1, D1). According to T8\_OUT's level, TC8H or TC8L is loaded into T8. After the terminal count is reached, T8 is disabled, and T16 is enabled. T16\_OUT then switches to its initial value (CTR1, D0), data from TC16H and TC16L is loaded, and T16 starts to count. After T16 reaches the terminal count, it stops, T8 is enabled again, repeating the entire cycle. Interrupts can be allowed when T8 or T16 reaches terminal control (CTR0, D1; CTR2, D1). To stop the Ping-Pong operation, write 00 to bits D3 and D2 of CTR1, see [Figure 26](#).

- **Note:** *Enabling Ping-Pong operation while the counter/timers are running might cause intermittent counter/timer function. Disable the counter/timers and reset the status Flags before instituting this operation.*

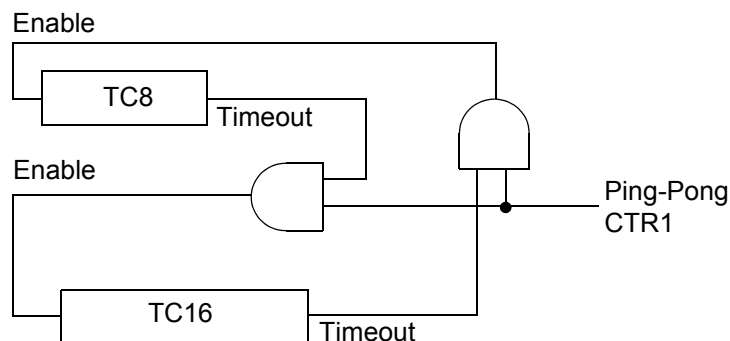
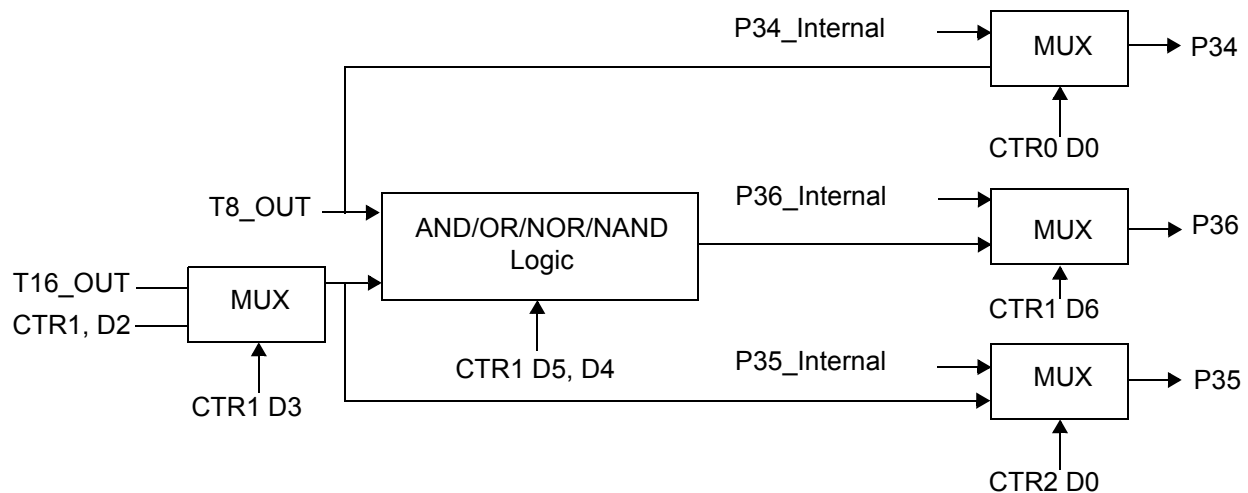


Figure 26. PING-PONG Mode Diagram

### Initiating PING-PONG Mode

First, make sure both counter/timers are not running. Set T8 into SINGLE-PASS mode (CTR0, D6), set T16 into SINGLE-PASS mode (CTR2, D6), and set the PING-PONG mode (CTR1, D2; D3). These instructions can be in random order. Finally, start PING-PONG mode by enabling either T8 (CTR0, D7) or T16 (CTR2, D7), see [Figure 26](#).



**Figure 27. Output Circuit**

The initial value of T8 or T16 must not be 1. If you stop the timer and restart the timer, reload the initial value to avoid an unknown previous value.

### During PING-PONG Mode

The enable bits of T8 and T16 (CTR0, D7; CTR2, D7) are set and cleared alternately by hardware. The timeout bits (CTR0, D5; CTR2, D5) are set every time the counter/timers reach the terminal count.

### Timer Output

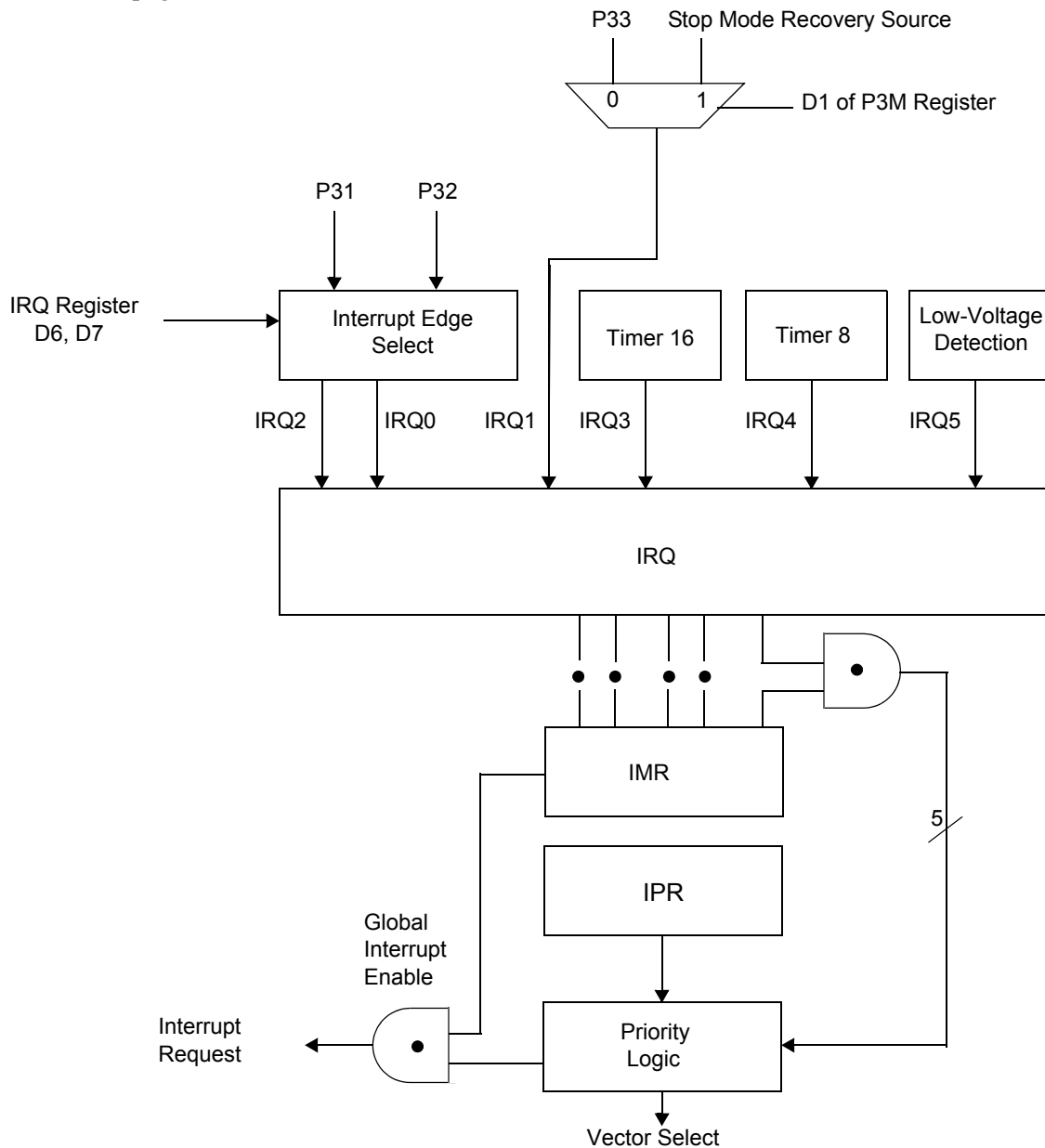
The output logic for the timers is displayed in [Figure 27](#). P34 is used to output T8-OUT when D0 of CTR0 is set. P35 is used to output the value of T16-OUT when D0 of CTR2 is set. When D6 of CTR1 is set, P36 outputs the logic combination of T8-OUT and T16-OUT determined by D5 and D4 of CTR1.

## Interrupts

The Crimzon ZLP32300 features six different interrupts (see [Table 11](#) on page 45). The interrupts are maskable and prioritized (see [Figure 28](#)). The six sources are divided as follows: three sources are claimed by Port 3 lines P33–P31, two by the

counter/timers (see [Table 11](#) on page 45) and one for low-voltage detection. The Interrupt Mask Register (globally or individually) enables or disables the six interrupt requests.

The source for IRQ is determined by bit 1 of the Port 3 mode register (P3M). When in DIGITAL mode, Pin P33 is the source. When in ANALOG mode, the output of the Stop Mode Recovery source logic is used as the source for the interrupt, see [Figure 33](#) on page 52.



**Figure 28. Interrupt Block Diagram**



**Table 11. Interrupt Types, Sources, and Vectors**

| Name | Source               | Vector Location | Comments                                       |
|------|----------------------|-----------------|--|
| IRQ0 | P32                  | 0,1             | External (P32), Rising, Falling Edge Triggered |
| IRQ1 | P33                  | 2,3             | External (P33), Falling Edge Triggered         |
| IRQ2 | P31, T <sub>IN</sub> | 4,5             | External (P31), Rising, Falling Edge Triggered |
| IRQ3 | T16                  | 6,7             | Internal                                       |
| IRQ4 | T8                   | 8,9             | Internal                                       |
| IRQ5 | LVD                  | 10,11           | Internal                                       |

When more than one interrupt is pending, priorities are resolved by a programmable priority encoder controlled by the Interrupt Priority Register. An interrupt machine cycle activates when an interrupt request is granted. As a result, all subsequent interrupts are disabled, and the Program Counter and Status Flags are saved. The cycle then branches to the program memory vector location reserved for that interrupt. All Crimzon ZLP32300 interrupts are vectored through locations in the program memory. This memory location and the next byte contain the 16-bit address of the interrupt service routine for that particular interrupt request. To accommodate polled interrupt systems, interrupt inputs are masked, and the Interrupt Request register is polled to determine which of the interrupt requests require service.

An interrupt resulting from AN1 is mapped into IRQ2, and an interrupt from AN2 is mapped into IRQ0. Interrupts IRQ2 and IRQ0 can be rising, falling, or both edge triggered. These interrupts are programmable. The software can poll to identify the state of the pin.

Programming bits for the Interrupt Edge Select are located in the IRQ Register (R250), bits D7 and D6. The configuration is indicated in [Table 12](#).

**Table 12. IRQ Register**

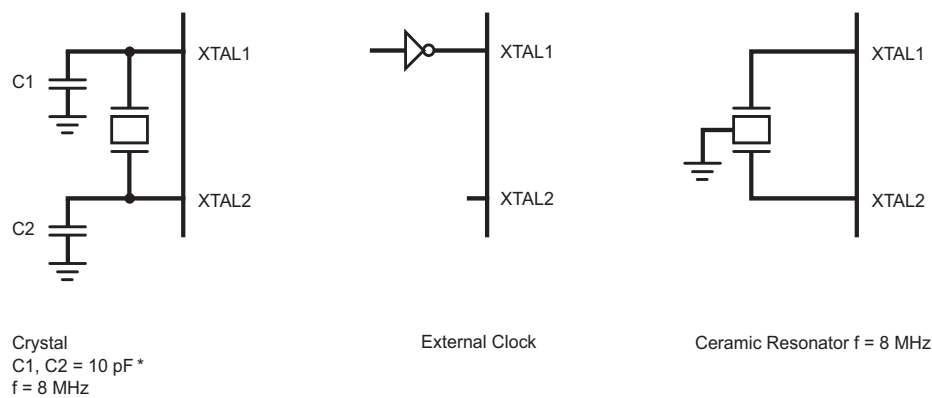
| IRQ |    | Interrupt Edge |            |
|-----|----|----------------|------------|
| D7  | D6 | IRQ2 (P31)     | IRQ0 (P32) |
| 0   | 0  | F              | F          |
| 0   | 1  | F              | R          |
| 1   | 0  | R              | F          |
| 1   | 1  | R/F            | R/F        |

**Note:** F = Falling Edge; R = Rising Edge

## Clock

The device's on-chip oscillator has a high-gain, parallel-resonant amplifier, for connection to a crystal, ceramic resonator, or any suitable external clock source (XTAL1 = Input, XTAL2 = Output). The crystal must be AT cut, 1 MHz to 8 MHz maximum, with a series resistance ( $R_S$ ) less than or equal to  $100\ \Omega$ . The on-chip oscillator can be driven with a suitable external clock source.

The crystal must be connected across XTAL1 and XTAL2 using the recommended capacitors from each pin to ground. The typical capacitor value is 10 pF for 8 MHz. Also check with the crystal supplier for the optimum capacitance.



\*Note: preliminary value.

**Figure 29. Oscillator Configuration**

Zilog's IR MCU supports crystal, resonator, and oscillator. Most resonators have a frequency tolerance of less than  $\pm 0.5\%$ , which is enough for remote control application. Resonator has a very fast startup time, which is around few hundred microseconds. Most crystals have a frequency tolerance of less than 50 ppm ( $\pm 0.005\%$ ). However, crystal needs longer startup time than the resonator. The large loading capacitance slows down the oscillation startup time. Zilog<sup>®</sup> suggests not to use more than 10 pF loading capacitor for the crystal. If the stray capacitance of the PCB or the crystal is high, the loading capacitance C1 and C2 must be reduced further to ensure stable oscillation before the  $T_{POR}$  (Power-On Reset time is typically 5-6 ms, see [Table 20](#) on page 79).

For Stop Mode Recovery operation, bit 5 of SMR register allows you to select the Stop Mode Recovery delay, which is the  $T_{POR}$ . If Stop Mode Recovery delay is not selected, the MCU executes instruction immediately after it wakes up from the STOP mode. If resonator or crystal is used as a clock source then Stop Mode Recovery delay needs to be selected (bit 5 of SMR = 1).

For both resonator and crystal oscillator, the oscillation ground must go directly to the ground pin of the microcontroller. The oscillation ground must use the shortest distance from the microcontroller ground pin and it must be isolated from other connections.

## Power Management

### Power-On Reset

A timer circuit clocked by a dedicated on-board RC-oscillator is used for the Power-On Reset timer function. The POR time allows  $V_{DD}$  and the oscillator circuit to stabilize before instruction execution begins.

The POR timer circuit is a one-shot timer triggered by one of three conditions:

- Power Fail to Power OK status, including Waking up from  $V_{BO}$  Standby
- Stop Mode Recovery (if D5 of SMR = 1)
- WDT Timeout

The POR timer is 2.5 ms minimum. Bit 5 of the Stop Mode Register determines whether the POR timer is bypassed after Stop Mode Recovery (typical for external clock).

### HALT Mode

This instruction turns off the internal CPU clock, but not the XTAL oscillation. The counter/timers and external interrupts IRQ0, IRQ1, IRQ2, IRQ3, IRQ4, and IRQ5 remain active. The devices are recovered by interrupts, either externally or internally generated. An interrupt request must be executed (enabled) to exit HALT Mode. After the interrupt service routine, the program continues from the instruction after HALT Mode.

### STOP Mode

This instruction turns OFF the internal clock and external crystal oscillation, reducing the standby current to 10  $\mu$ A or less. STOP mode is terminated only by a reset, such as WDT time-out, POR or SMR. This condition causes the processor to restart the application program at address 000Ch. To enter STOP (or HALT) mode, first flush the instruction pipeline to avoid suspending execution in mid-instruction. Execute a NOP (Opcode = FFh) immediately before the appropriate sleep instruction, as follows:

```
FF      NOP      ; clear the pipeline
6F      STOP     ; enter Stop Mode
```

or

```
FF      NOP      ; clear the pipeline
7F      HALT     ; enter HALT Mode
```

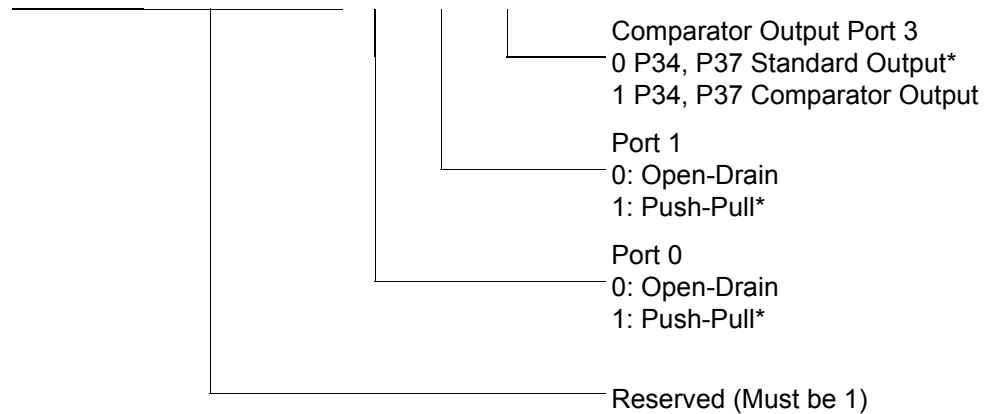
## Port Configuration

### Port Configuration Register

The Port Configuration (PCON) register (see [Figure 30](#)) configures the comparator output on Port 3. It is located in the expanded register 2 at Bank F, location 00.

PCON(FH)00h

| D7 | D6 | D5 | D4 | D3 | D2 | D1 | D0 |
|----|----|----|----|----|----|----|----|
|----|----|----|----|----|----|----|----|



\* Default setting after reset

**Figure 30. Port Configuration Register (PCON) (Write Only)**

### Comparator Output Port 3 (D0)

Bit 0 controls the comparator used in Port 3. A 1 in this location brings the comparator outputs to P34 and P37, and a 0 releases the Port to its standard I/O configuration.

### Port 1 Output Mode (D1)

Bit 1 controls the output mode of Port 1. A 1 in this location sets the output to push-pull, and a 0 sets the output to open-drain.

### Port 0 Output Mode (D2)

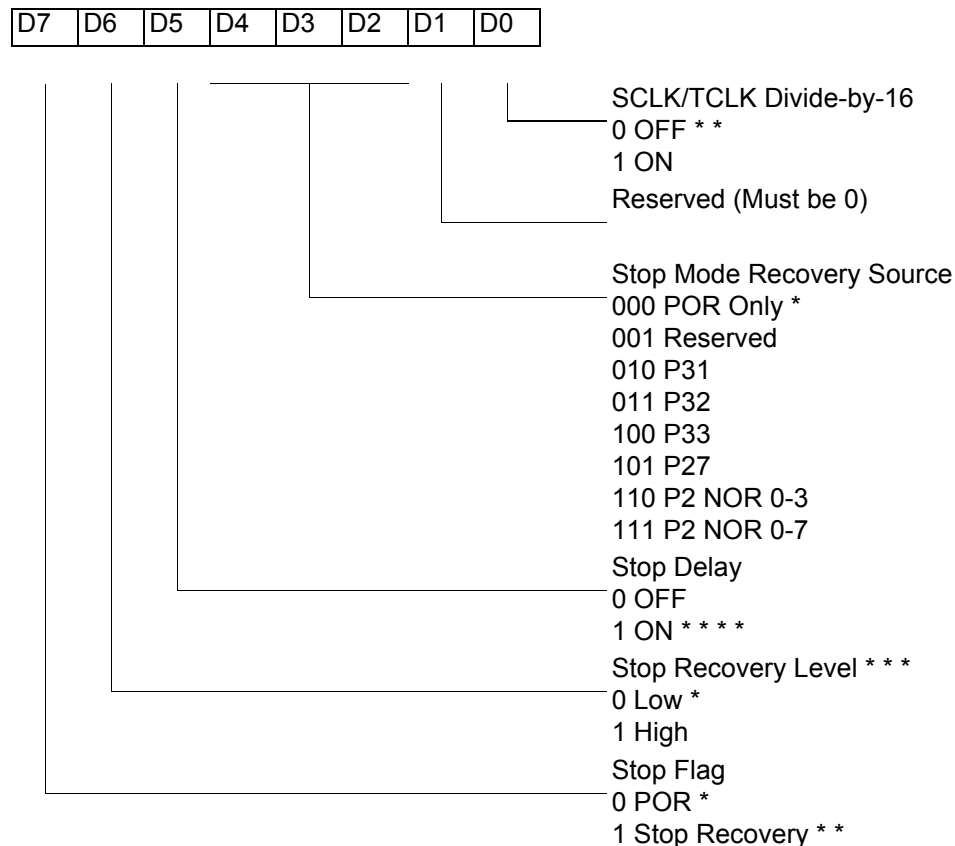
Bit 2 controls the output mode of Port 0. A 1 in this location sets the output to push-pull, and a 0 sets the output to open-drain.

## Stop Mode Recovery

### Stop Mode Recovery Register (SMR)

This register selects the clock divide value and determines the mode of Stop Mode Recovery (see [Figure 31](#)). All bits are write only except bit 7, which is read only. Bit 7 is a Flag bit that is hardware set on the condition of Stop recovery and reset by a power-on cycle. Bit 6 controls whether a low level or a high level at the XOR-gate input (see [Figure 33](#) on page 52) is required from the recovery source. Bit 5 controls the reset delay after recovery. Bits D2, D3, and D4 of the SMR register specify the source of the Stop Mode Recovery signal. Bit D0 determines if SCLK/TCLK are divided by 16 or not. The SMR is located in Bank F of the Expanded Register Group at address 0Bh.

SMR(0F)0Bh



\*Default after Power-On Reset or Watchdog Reset

\* \*Default setting after Reset and Stop Mode Recovery.

\* \* \*At the XOR gate input

\* \* \* \*Default setting after reset. Must be 1 if using a crystal or resonator clock source.

**Figure 31. Stop Mode Recovery Register**

### SCLK/TCLK Divide-by-16 Select (D0)

D0 of the SMR controls a divide-by-16 prescaler of SCLK/TCLK (see [Figure 32](#)). This control selectively reduces device power consumption during normal processor execution (SCLK control) and/or HALT mode (where TCLK sources interrupt logic). After Stop Mode Recovery, this bit is set to a 0.

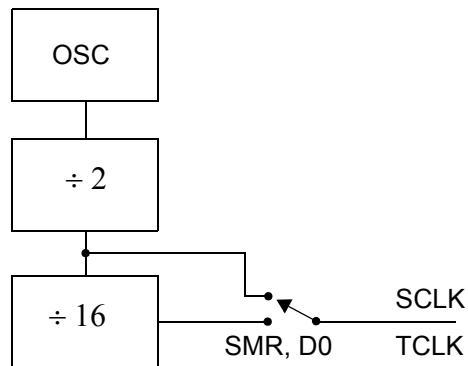


Figure 32. SCLK Circuit

### Stop Mode Recovery Source (D2, D3, and D4)

These three bits of the SMR specify the wake-up source of the Stop recovery (see [Figure 33](#) and [Table 14](#)).

### Stop Mode Recovery Register 2—SMR2(F)0Dh

[Table 13](#) lists and briefly describes the fields for this register.

Table 13. SMR2(F)0Dh:Stop Mode Recovery Register 2\*

| Field          | Bit Position | Value                 | Description          |
|----------------|--------------|-----------------------|----------------------|
| Reserved       | 7-----       | 0                     | Reserved (Must be 0) |
| Recovery Level | -6-----      | W 0 <sup>†</sup><br>1 | Low<br>High          |
| Reserved       | --5-----     | 0                     | Reserved (Must be 0) |

**Table 13. SMR2(F)0Dh:Stop Mode Recovery Register 2\* (Continued)**

| Field    | Bit Position | Value              | Description                  |
|----------|--------------|--------------------|------------------------------|
| Source   | ---432--     | W 000 <sup>†</sup> | A. POR Only                  |
|          |              | 001                | B. NAND of P23–P20           |
|          |              | 010                | C. NAND of P27–P20           |
|          |              | 011                | D. NOR of P33–P31            |
|          |              | 100                | E. NAND of P33–P31           |
|          |              | 101                | F. NOR of P33–P31, P00, P07  |
|          |              | 110                | G. NAND of P33–P31, P00, P07 |
|          |              | 111                | H. NAND of P33–P31, P22–P20  |
| Reserved | -----10      | 00                 | Reserved (Must be 0)         |

\*Port pins configured as outputs are ignored as an SMR recovery source.  
<sup>†</sup>Indicates the value upon Power-On Reset.





**Table 14. Stop Mode Recovery Source**

| SMR:432 |    |    | Operation                          |
|---------|----|----|------------------------------------|
| D4      | D3 | D2 | Description of Action              |
| 0       | 0  | 0  | POR and/or external reset recovery |
| 0       | 0  | 1  | Reserved                           |
| 0       | 1  | 0  | P31 transition                     |
| 0       | 1  | 1  | P32 transition                     |
| 1       | 0  | 0  | P33 transition                     |
| 1       | 0  | 1  | P27 transition                     |
| 1       | 1  | 0  | Logical NOR of P20 through P23     |
| 1       | 1  | 1  | Logical NOR of P20 through P27     |

- **Note:** *Any Port 2 bit defined as an output drives the corresponding input to the default state. For example, if the NOR of P23-P20 is selected as the recovery source and P20 is configured as an output, the remaining SMR pins (P23-P21) form the NOR equation. This condition allows the remaining inputs to control the AND/OR function, refer to SMR2 register on page 54 for other recover sources.*

#### Stop Mode Recovery Delay Select (D5)

This bit, if low, disables the  $T_{POR}$  delay after Stop Mode Recovery. The default configuration of this bit is 1. If the ‘fast’ wake up is selected, the Stop Mode Recovery source must be kept active for at least 10  $T_{pC}$ .

- **Note:** *This bit must be set to 1 if a crystal or resonator clock source is used. The  $T_{POR}$  delay allows the clock source to stabilize before executing instructions.*

#### Stop Mode Recovery Edge Select (D6)

A 1 in this bit position indicates that a High level on any one of the recovery sources wakes the Crimzon ZLP32300 from STOP mode. A 0 indicates Low level recovery. The default is 0 on POR.

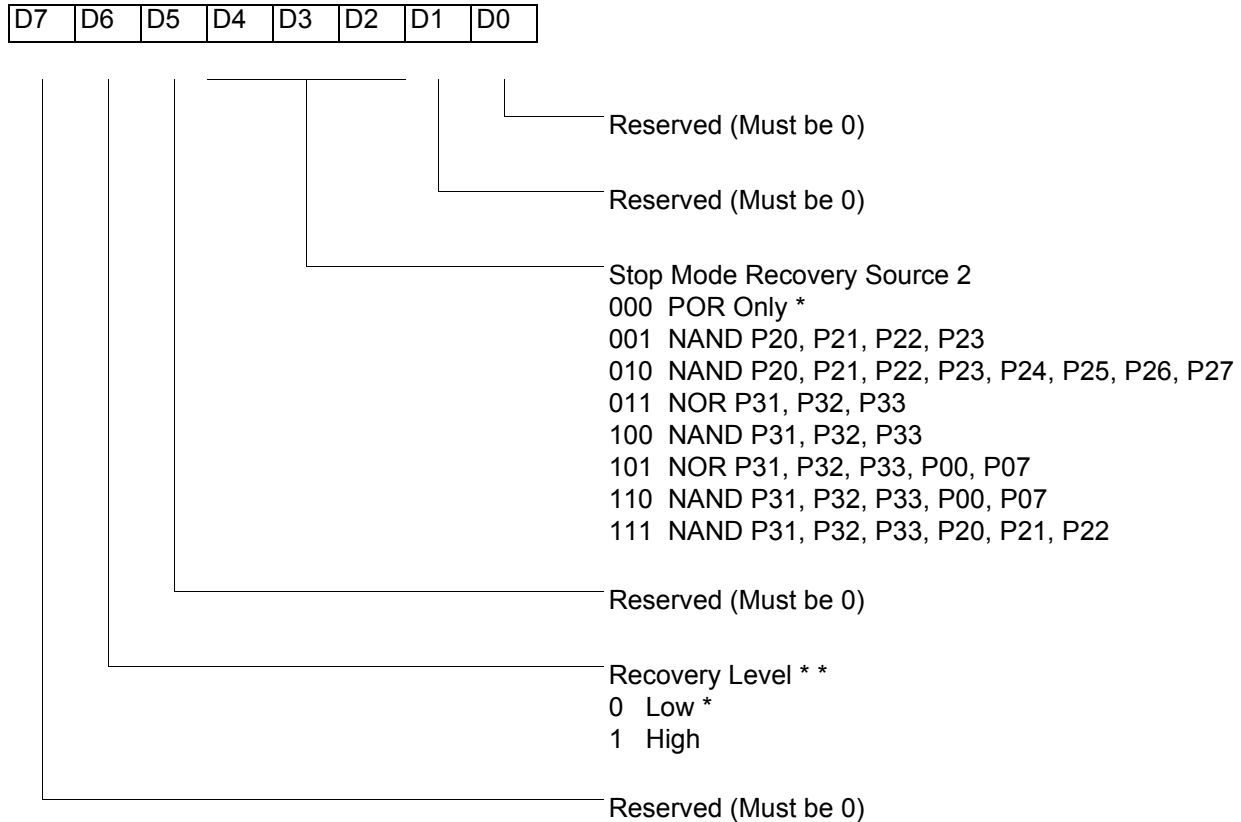
#### Cold or Warm Start (D7)

This bit is read only. It is set to 1 when the device is recovered from STOP mode. The bit is set to 0 when the device reset is other than Stop Mode Recovery.

### Stop Mode Recovery Register 2 (SMR2)

This register determines the mode of Stop Mode Recovery for SMR2 (see [Figure 34](#)).

SMR2(0F)Dh



If used in conjunction with SMR, either of the two specified events causes a Stop Mode Recovery.

\*Default setting after reset.

\*\*At the XOR gate input.

**Figure 34. Stop Mode Recovery Register 2 ((0F)DH:D2–D4, D6 Write Only)**

If SMR2 is used in conjunction with SMR, either of the specified events causes a Stop Mode Recovery.

► **Note:** *Port pins configured as outputs are ignored as an SMR or SMR2 recovery source. For example, if the NAND or P23–P20 is selected as the recovery source and P20 is configured as an output, the remaining SMR pins (P23–P21) form the NAND equation.*

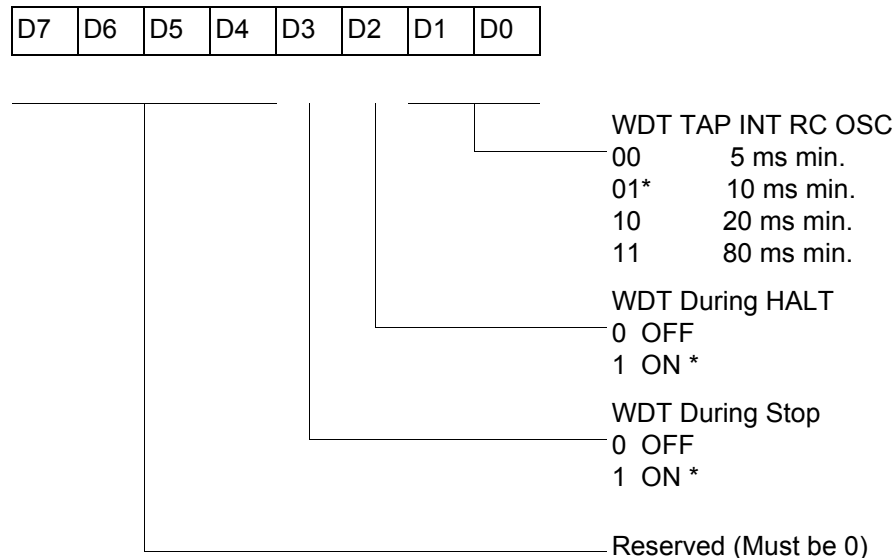
## Watchdog Timer Mode

### Watchdog Timer Mode Register (WDTMR)

The Watchdog Timer is a retriggerable one-shot timer that resets the Z8<sup>®</sup> if it reaches its terminal count. The WDT must initially be enabled by executing the WDT instruction. On subsequent executions of the WDT instruction, the WDT is refreshed. The WDT circuit is driven by an on-board RC-oscillator. The WDT instruction affects the Zero (Z), Sign (S), and Overflow (V) Flags.

The POR clock source the internal RC-oscillator. Bits 0 and 1 of the WDT register control a tap circuit that determines the minimum time-out period. Bit 2 determines whether the WDT is active during HALT, and Bit 3 determines WDT activity during Stop. Bits 4 through 7 are reserved (see Figure 35). This register is accessible only during the first 60 processor cycles (120 XTAL clocks) from the execution of the first instruction after Power-on reset, Watchdog Reset, or a Stop Mode Recovery (see Figure 34). After this point, the register cannot be modified by any means (intentional or otherwise). The WDTMR cannot be read. The register is located in Bank F of the Expanded Register Group at address location 0Fh. It is organized as shown in Figure 35.

WDTMR(0F)0Fh



\*Default setting after reset

**Figure 35. Watchdog Timer Mode Register (Write Only)**

**WDT Time Select (D0, D1)**

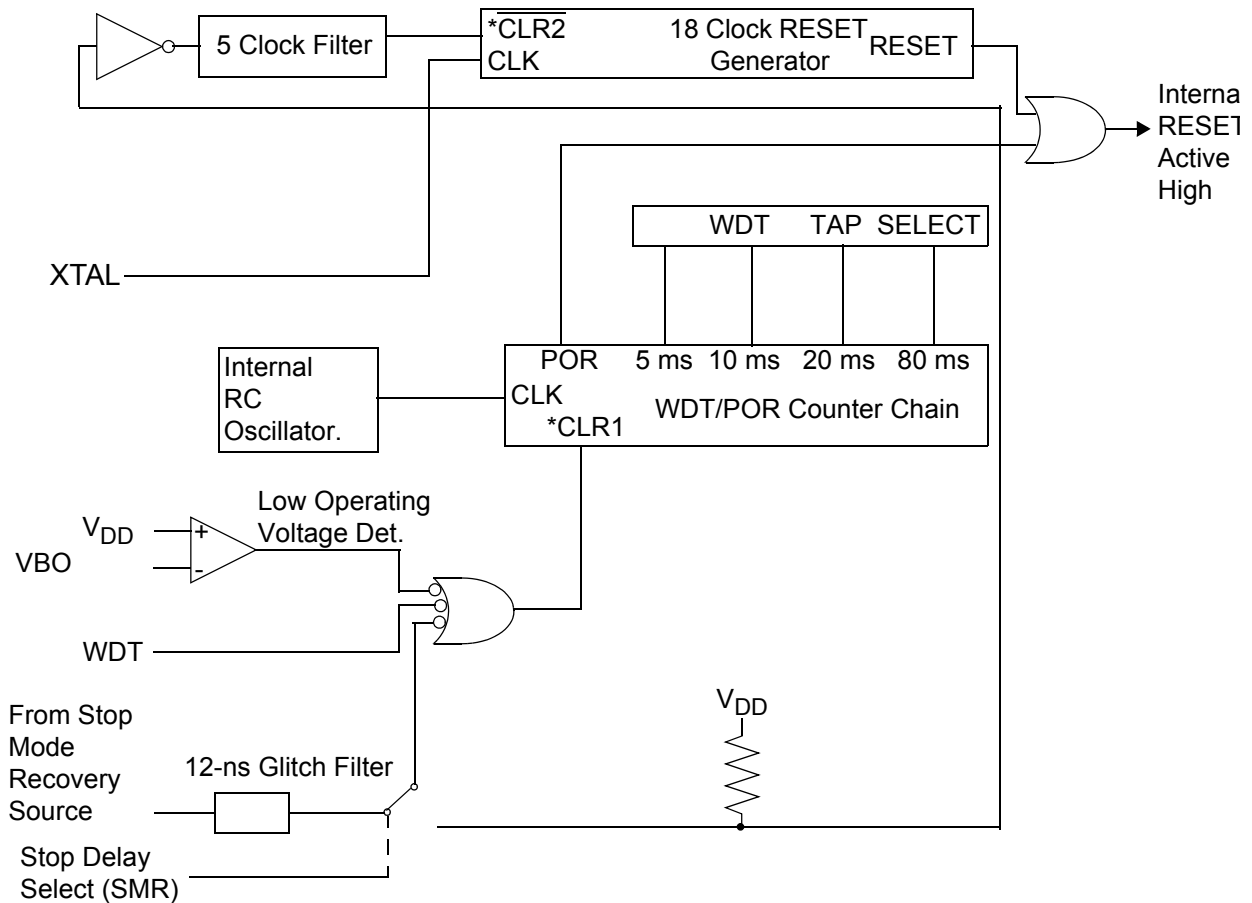
This bit selects the WDT time period. It is configured as indicated in [Table 15](#).

**Table 15. Watchdog Timer Time Select**

| D1 | D0 | Timeout of Internal RC-Oscillator |
|----|----|-----------------------------------|
| 0  | 0  | 5 ms min                          |
| 0  | 1  | 10 ms min                         |
| 1  | 0  | 20 ms min                         |
| 1  | 1  | 80 ms min                         |

**WDTMR During Halt (D2)**

This bit determines whether or not the WDT is active during HALT mode. A 1 indicates active during HALT. The default is 1, see [Figure 36](#).



\* CLR1 and CLR2 enable the WDT/POR and 18 Clock Reset timers respectively upon a Low-to-High

**Figure 36. Resets and WDT**

### WDTMR During STOP (D3)

This bit determines whether or not the WDT is active during STOP mode. A 1 indicates active during Stop. The default is 1.

### EPROM Selectable Options

There are seven EPROM Selectable Options to choose from based on ROM code requirements. These are listed in [Table 16](#).

**Table 16. EPROM Selectable Options**

|                                  |        |
|----------------------------------|--------|
| Port 00–03 Pull-Ups              | ON/OFF |
| Port 04–07 Pull-Ups              | ON/OFF |
| Port 10–13 Pull-Ups              | ON/OFF |
| Port 14–17 Pull-Ups              | ON/OFF |
| Port 20–27 Pull-Ups              | ON/OFF |
| EPROM Protection                 | ON/OFF |
| Watchdog Timer at Power-On Reset | ON/OFF |

### Voltage Brownout/Standby

An on-chip Voltage Comparator checks that the  $V_{DD}$  is at the required level for correct operation of the device. Reset is globally driven when  $V_{DD}$  falls below  $V_{BO}$ . A small drop in  $V_{DD}$  causes the XTAL1 and XTAL2 circuitry to stop the crystal or resonator clock. If the  $V_{DD}$  is allowed to stay above  $V_{RAM}$ , the RAM content is preserved. When the power level is returned to above  $V_{BO}$ , the device performs a POR and functions normally.

## Low-Voltage Detection

### Low-Voltage Detection Register—LVD(D)0Ch

► **Note:** *Voltage detection does not work at STOP mode.*

| Field | Bit Position |     |         | Description                    |
|-------|--------------|-----|---------|--------------------------------|
| LVD   | 76543---     |     |         | Reserved<br>No Effect          |
|       | ----2--      | R   | 1<br>0* | HVD Flag set<br>HVD Flag reset |
|       | -----1-      | R   | 1<br>0* | LVD Flag set<br>LVD Flag reset |
|       | -----0       | R/W | 1<br>0* | Enable VD<br>Disable VD        |

\*Default after POR

► **Note:** *Do not modify register P01M while checking a low-voltage condition. Switching noise of both Ports 0 and 1 together might trigger the LVD Flag.*

### Voltage Detection and Flags

The Voltage Detection register (LVD, register 0Ch at the expanded register bank 0Dh) offers an option of monitoring the  $V_{CC}$  voltage. The Voltage Detection is enabled when bit 0 of LVD register is set. Once Voltage Detection is enabled, the  $V_{CC}$  level is monitored in real time. The HVD Flag (bit 2 of the LVD register) is set only if  $V_{CC}$  is higher than  $V_{HVD}$ . The LVD Flag (bit 1 of the LVD register) is set only if  $V_{CC}$  is lower than the  $V_{LVD}$ . When Voltage Detection is enabled, the LVD Flag also triggers IRQ5. The IRQ bit 5 latches the low-voltage condition until it is cleared by instructions or reset. The IRQ5 interrupt is served if it is enabled in the IMR register. Otherwise, bit 5 of IRQ register is latched as a Flag only.

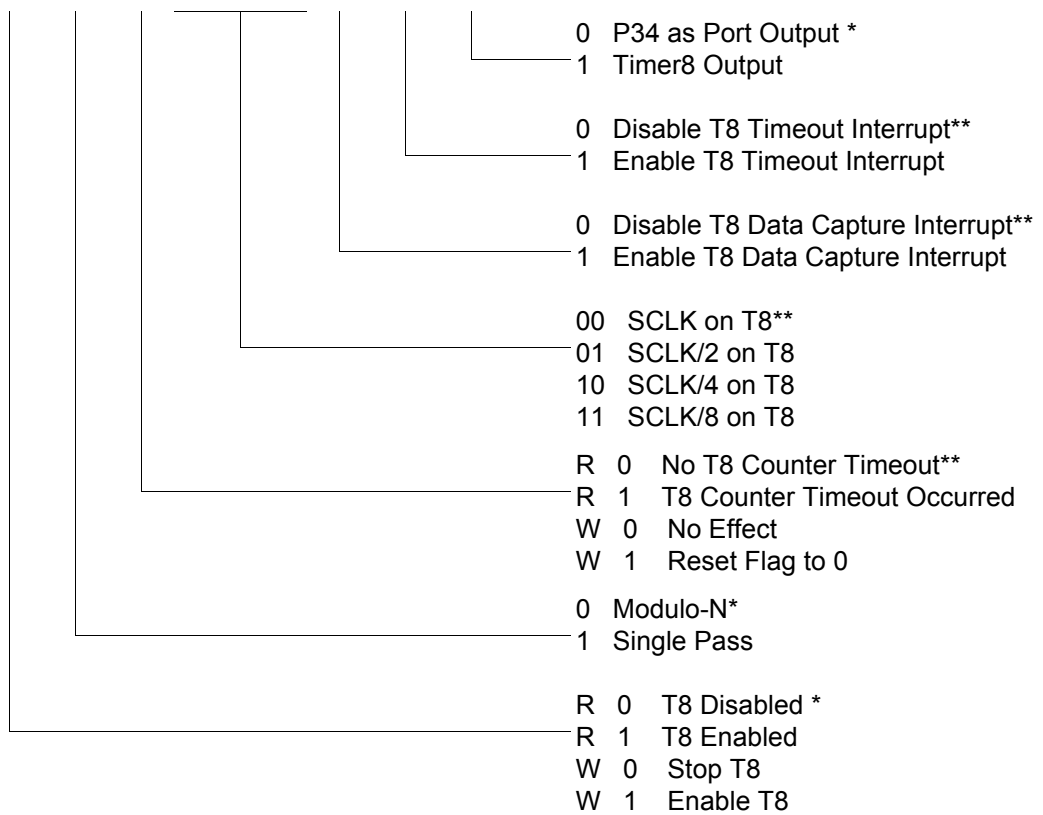
- **Note:** *If it is necessary to receive an LVD interrupt upon power-up at an operating voltage lower than the low battery detect threshold, enable interrupts using the Enable Interrupt (EI) instruction prior to enabling the voltage detection.*

## Expanded Register File Control Registers (0D)

The expanded register file control registers (0D) are displayed in [Figure 37](#) through [Figure 41](#).

CTR0(0D)00H

| D7 | D6 | D5 | D4 | D3 | D2 | D1 | D0 |
|----|----|----|----|----|----|----|----|
|----|----|----|----|----|----|----|----|



\*Default setting after reset.

\*\*Default setting after reset. Not reset with a Stop Mode Recovery.

**Figure 37. TC8 Control Register ((0D)00H: Read/Write Except Where Noted)**



CTR1(0D)01H

| D7 | D6 | D5 | D4 | D3 | D2 | D1 | D0 |
|----|----|----|----|----|----|----|----|
|----|----|----|----|----|----|----|----|

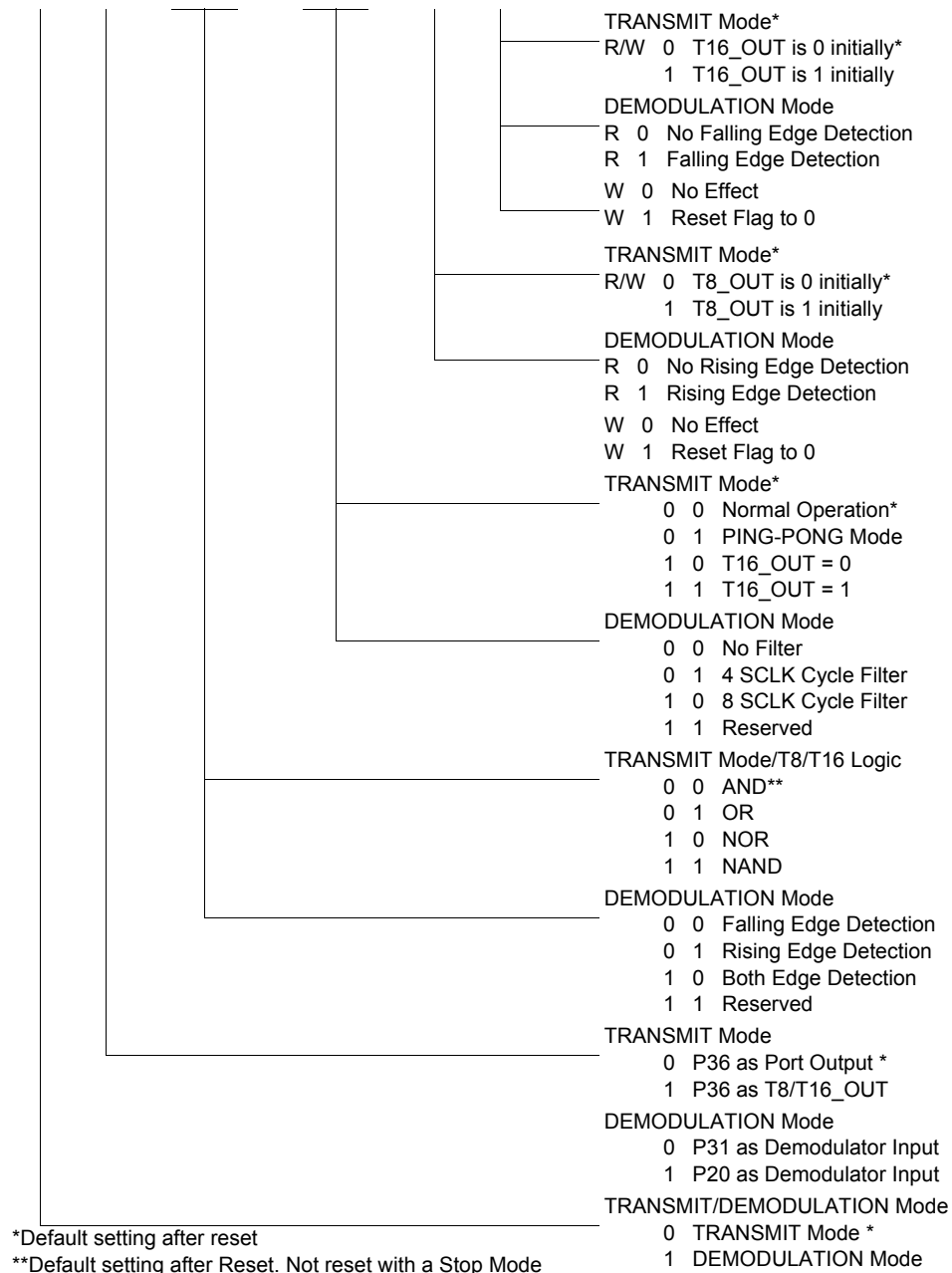


Figure 38. T8 and T16 Common Control Functions ((0D)01H: Read/Write)

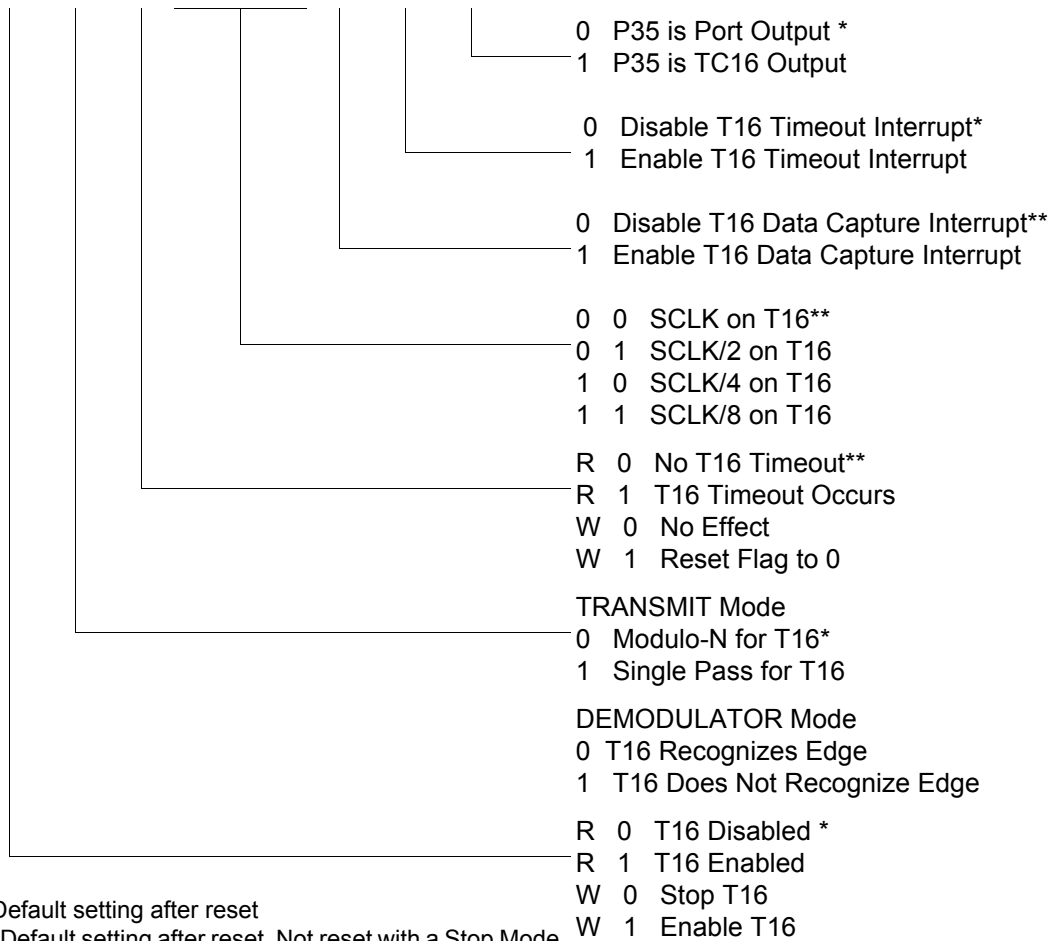


**Notes:**

1. Ensure to differentiate the TRANSMIT mode from DEMODULATION mode. Depending on which of these two modes is operating, the CTR1 bit has different functions.
2. Changing from one mode to another cannot be performed without disabling the counter/timers.

CTR2(0D)02H

|    |    |    |    |    |    |    |    |
|----|----|----|----|----|----|----|----|
| D7 | D6 | D5 | D4 | D3 | D2 | D1 | D0 |
|----|----|----|----|----|----|----|----|



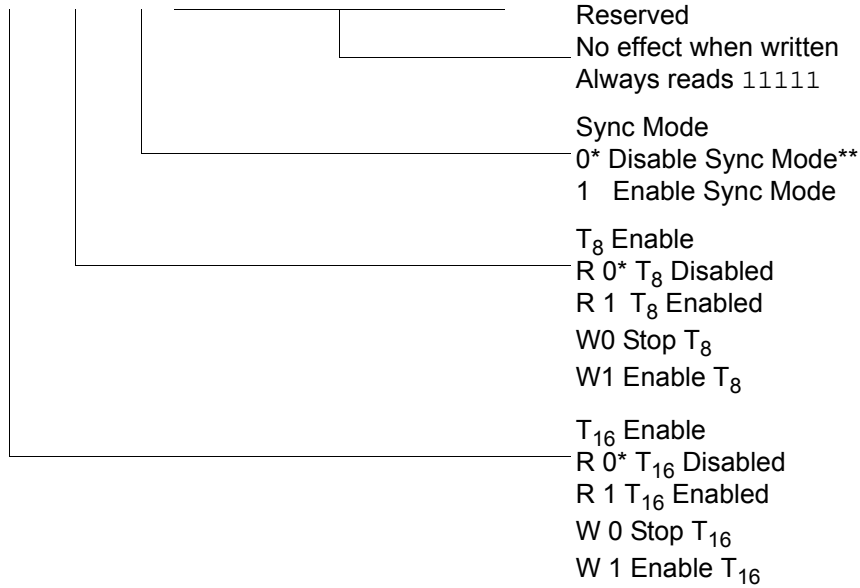
\*Default setting after reset

\*\*Default setting after reset. Not reset with a Stop Mode Recovery.

**Figure 39. T16 Control Register ((0D) 2H: Read/Write Except Where Noted)**

CTR3(0D)03H

|    |    |    |    |    |    |    |    |
|----|----|----|----|----|----|----|----|
| D7 | D6 | D5 | D4 | D3 | D2 | D1 | D0 |
|----|----|----|----|----|----|----|----|



\*Default setting after reset.

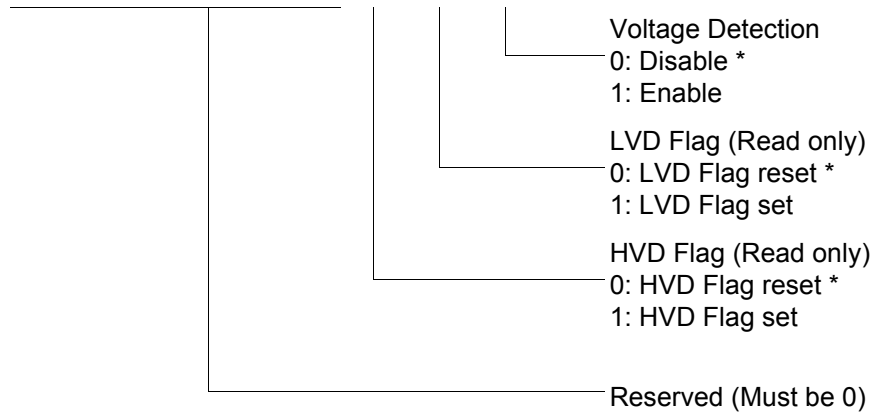
\*\*Default setting after reset. Not reset with a Stop Mode Recovery.

**Figure 40. T8/T16 Control Register (0D)03H: Read/Write (Except Where Noted)**

► **Note:** *If Sync Mode is enabled, the first pulse of T8 carrier is always synchronized with T16 (demodulated signal). It can always provide a full carrier pulse.*

LVD(0D)0CH

|    |    |    |    |    |    |    |    |
|----|----|----|----|----|----|----|----|
| D7 | D6 | D5 | D4 | D3 | D2 | D1 | D0 |
|----|----|----|----|----|----|----|----|



\*Default setting after reset.

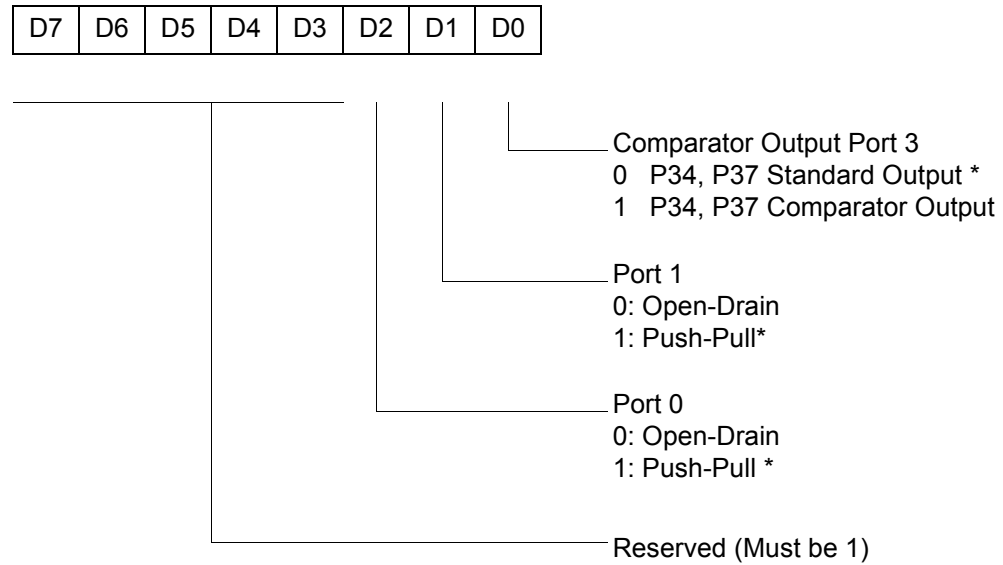
**Figure 41. Voltage Detection Register**

- **Note:** *Do not modify register P01M while checking a low-voltage condition. Switching noise of both Ports 0 and 1 together might trigger the LVD Flag.*

## Expanded Register File Control Registers (0F)

The expanded register file control registers (0F) are displayed in [Figure 42](#) through [Figure 55](#) on page 74.

PCON(0F)00H

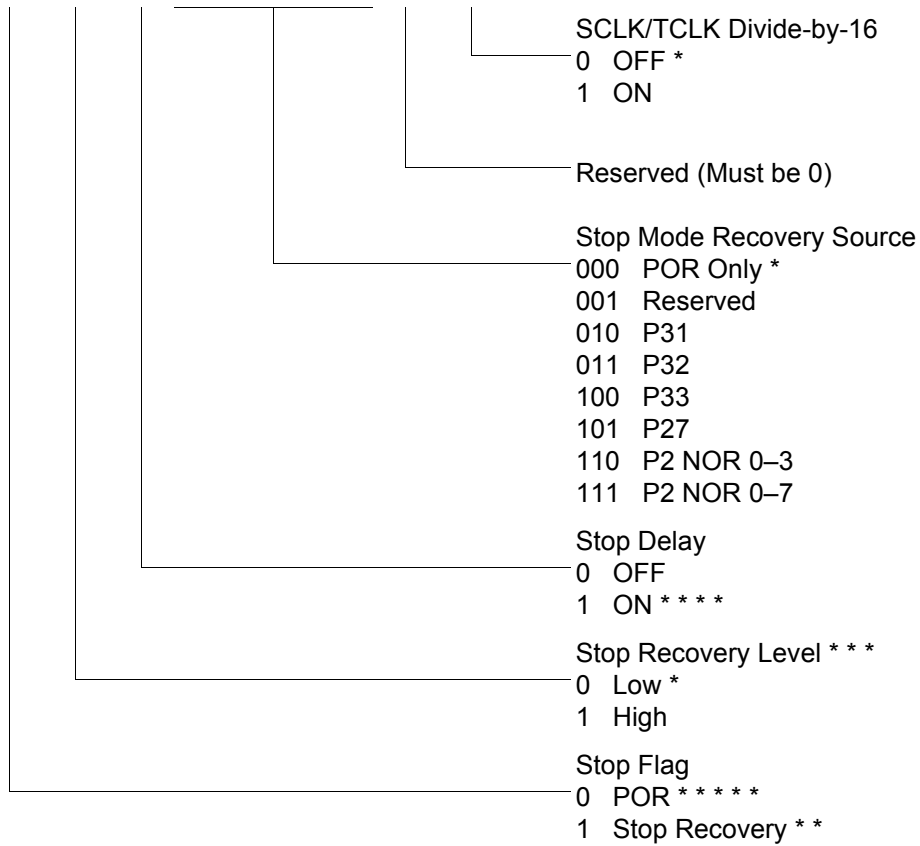


\*Default setting after reset

**Figure 42. Port Configuration Register (PCON)(0F)00H: Write Only)**

SMR(0F)0BH

|    |    |    |    |    |    |    |    |
|----|----|----|----|----|----|----|----|
| D7 | D6 | D5 | D4 | D3 | D2 | D1 | D0 |
|----|----|----|----|----|----|----|----|



\*Default setting after Reset

\*\*Set after Stop Mode Recovery

\*\*\*At the XOR gate input

\*\*\*\*Default setting after Reset. Must be 1 if using a crystal or resonator clock source.

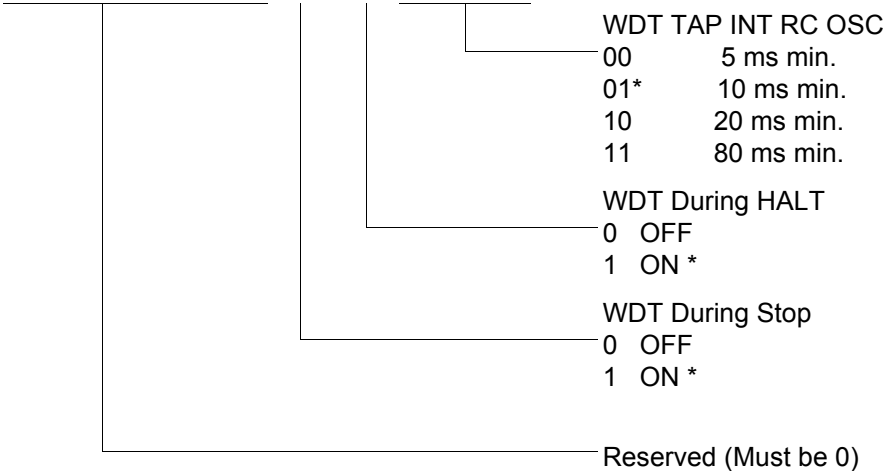
\*\*\*\*\*Default setting after Power-On Reset. Not Reset with a Stop Mode Recovery.

Figure 43. Stop Mode Recovery Register ((0F)0BH: D6–D0=Write Only, D7=Read Only)



WDTMR(0F)0FH

|    |    |    |    |    |    |    |    |
|----|----|----|----|----|----|----|----|
| D7 | D6 | D5 | D4 | D3 | D2 | D1 | D0 |
|----|----|----|----|----|----|----|----|



\*Default setting after reset. Not Reset with a Stop Mode Recovery.

**Figure 45. Watchdog Timer Register ((0F) 0FH: Write Only)**

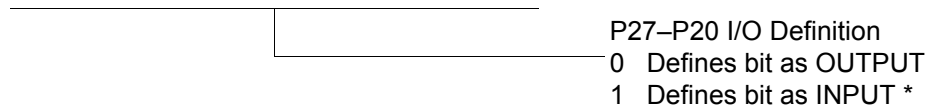


## Standard Control Registers

The standard control registers are displayed in [Figure 46](#) through [Figure 55](#) on page 74.

R246 P2M(F6H)

|    |    |    |    |    |    |    |    |
|----|----|----|----|----|----|----|----|
| D7 | D6 | D5 | D4 | D3 | D2 | D1 | D0 |
|----|----|----|----|----|----|----|----|

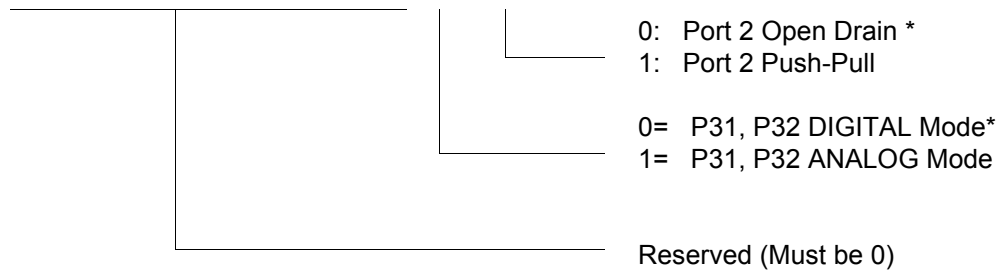


\*Default setting after reset. Not Reset with a Stop Mode Recovery.

**Figure 46. Port 2 Mode Register (F6H: Write Only)**

R247 P3M(F7H)

|    |    |    |    |    |    |    |    |
|----|----|----|----|----|----|----|----|
| D7 | D6 | D5 | D4 | D3 | D2 | D1 | D0 |
|----|----|----|----|----|----|----|----|

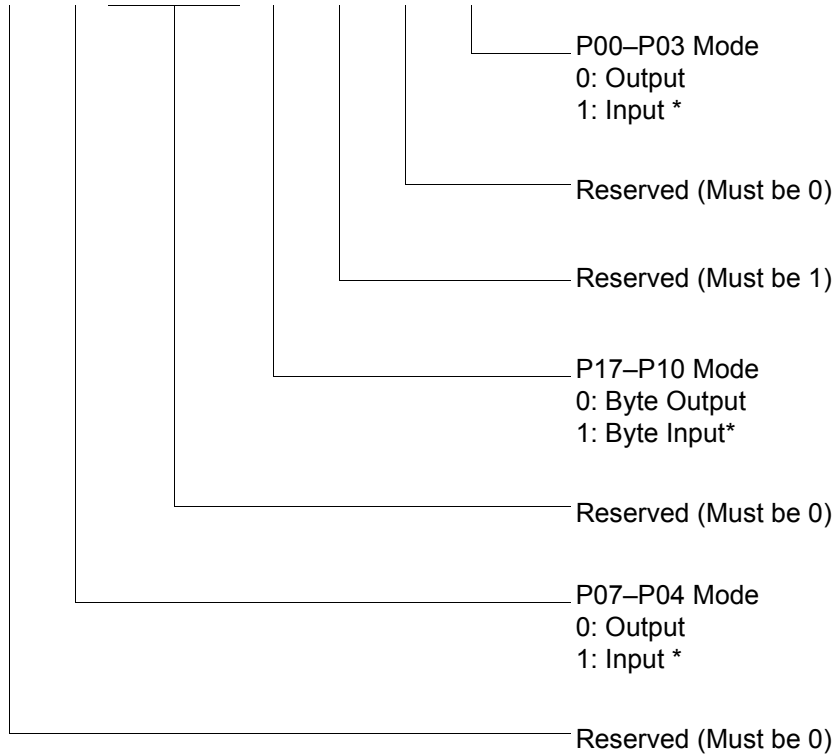


\*Default setting after reset. Not Reset with a Stop Mode Recovery.

**Figure 47. Port 3 Mode Register (F7H: Write Only)**

R248 P01M(F8H)

|    |    |    |    |    |    |    |    |
|----|----|----|----|----|----|----|----|
| D7 | D6 | D5 | D4 | D3 | D2 | D1 | D0 |
|----|----|----|----|----|----|----|----|

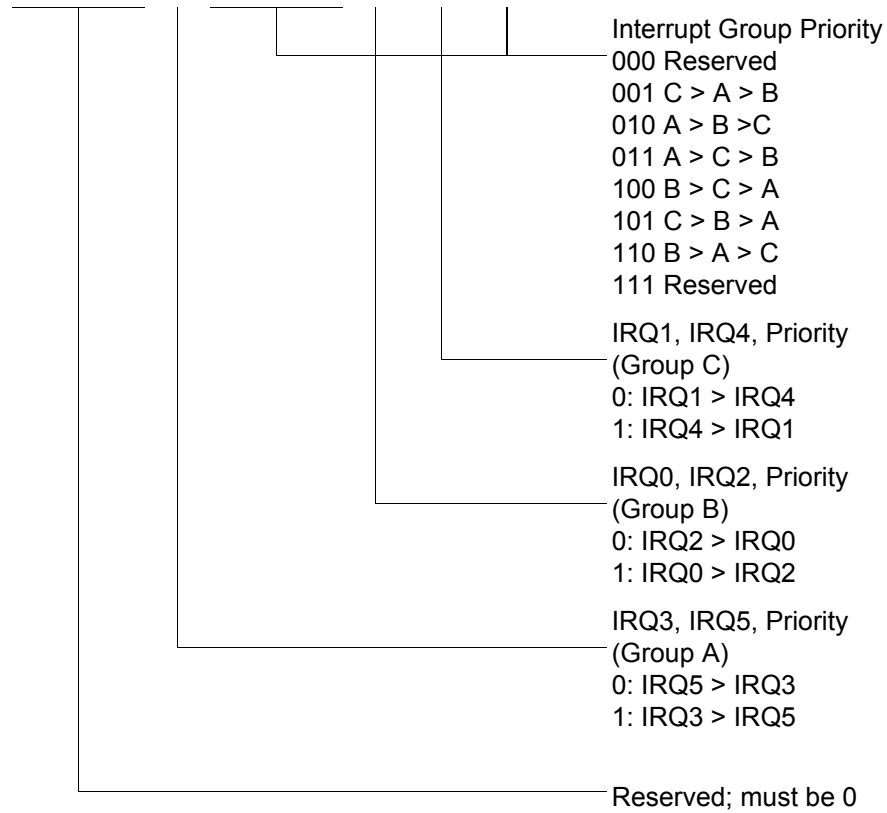


\*Default setting after reset; only P00, P01 and P07 are available on Crimzon ZLP32300 20-pin configurations.

**Figure 48. Port 0 and 1 Mode Register (F8H: Write Only)**

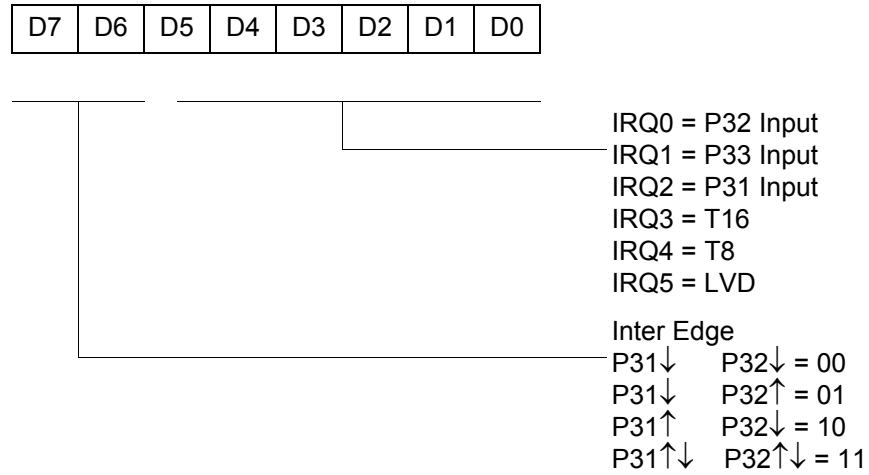
R249 IPR(F9H)

|    |    |    |    |    |    |    |    |
|----|----|----|----|----|----|----|----|
| D7 | D6 | D5 | D4 | D3 | D2 | D1 | D0 |
|----|----|----|----|----|----|----|----|



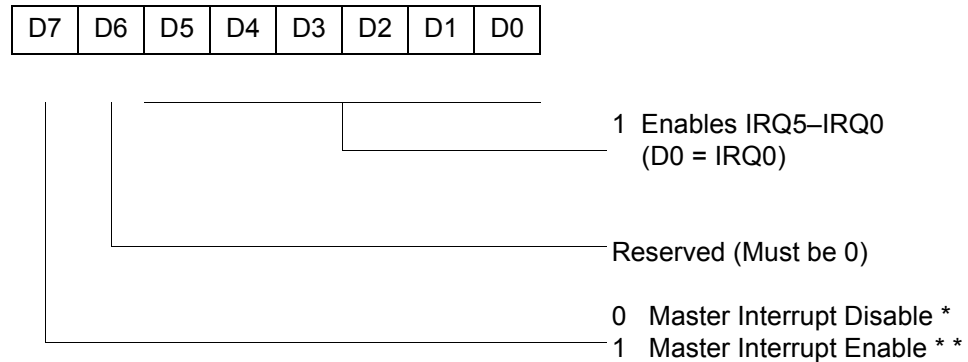
**Figure 49. Interrupt Priority Register (F9H: Write Only)**

R250 IRQ(FAH)



**Figure 50. Interrupt Request Register (FAH: Read/Write)**

R251 IMR(FBH)

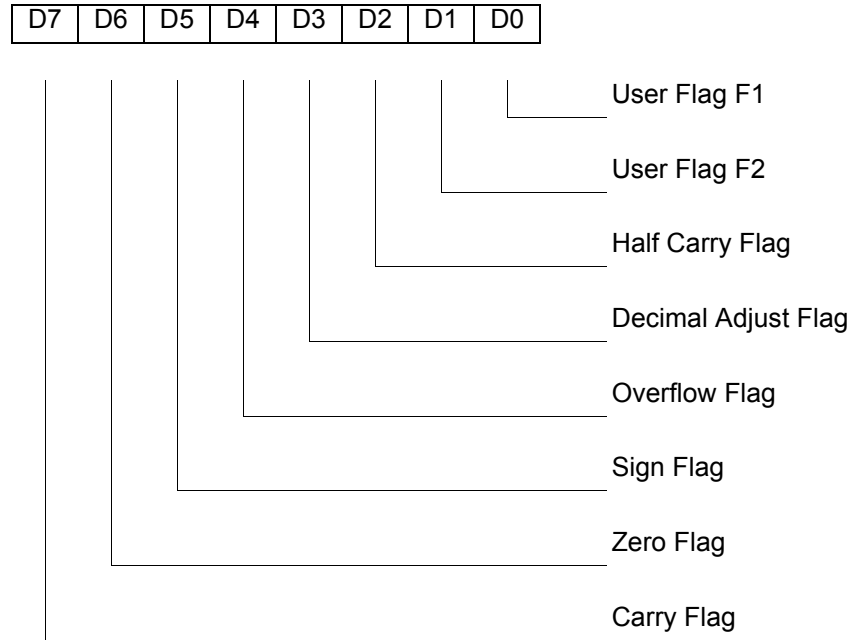


\*Default setting after reset

\*\*Only by using EI, DI instruction; DI is required before changing the IMR register

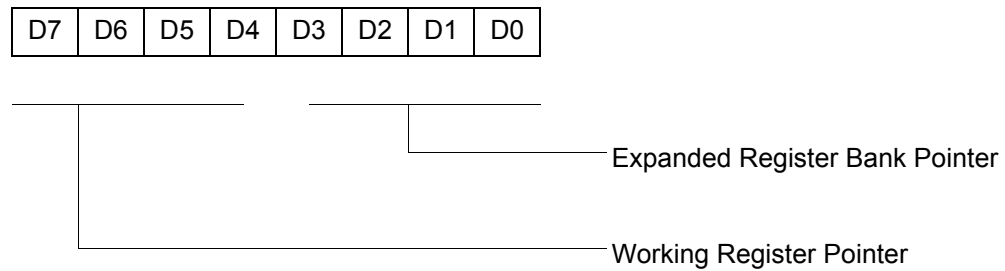
**Figure 51. Interrupt Mask Register (FBH: Read/Write)**

R252 Flags(FCH)



**Figure 52. Flag Register (FCH: Read/Write)**

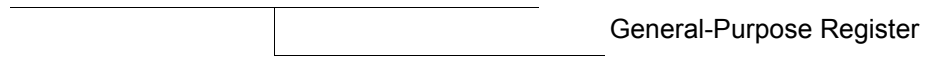
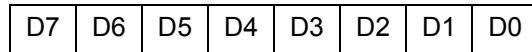
R253 RP(FDH)



Default setting after reset = 0000 0000

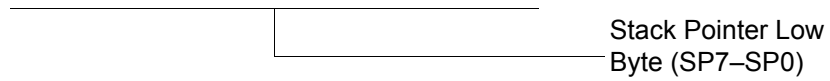
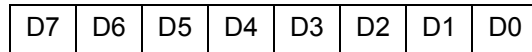
**Figure 53. Register Pointer (FDH: Read/Write)**

R254 SPH(FEH)



**Figure 54. Stack Pointer High (FEH: Read/Write)**

R255 SPL(FFH)



**Figure 55. Stack Pointer Low (FFH: Read/Write)**

# Electrical Characteristics

## Absolute Maximum Ratings

Stresses greater than those listed in [Table 18](#) might cause permanent damage to the device. This rating is a stress rating only. Functional operation of the device at any condition above those indicated in the operational sections of these specifications is not implied. Exposure to absolute maximum rating conditions for an extended period might affect device reliability.

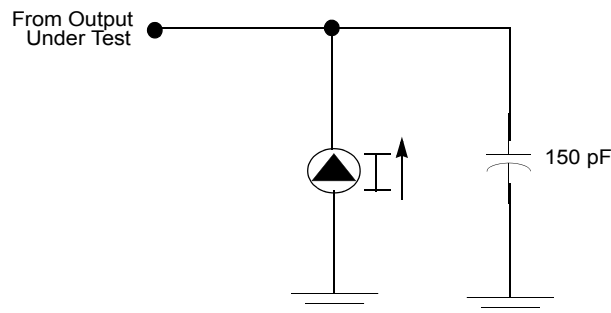
**Table 17. Absolute Maximum Ratings**

| Parameter   | Minimum | Maximum | Units   | Notes |
|---|---------|---------|---------|-------|
| Ambient temperature under bias                      | 0       | +70     | C       |       |
| Storage temperature                                 | -65     | +150    | C       |       |
| Voltage on any pin with respect to $V_{SS}$         | -0.3    | +5.5    | V       | 1     |
| Voltage on $V_{DD}$ pin with respect to $V_{SS}$    | -0.3    | +3.6    | V       |       |
| Maximum current on input and/or inactive output pin | -5      | +5      | $\mu$ A |       |
| Maximum output current from active output pin       | -25     | +25     | mA      |       |
| Maximum current into $V_{DD}$ or out of $V_{SS}$    |         | 75      | mA      |       |

<sup>1</sup>This voltage applies to all pins except the following:  $V_{DD}$ , P32, P33 and  $\overline{\text{RESET}}$ .

## Standard Test Conditions

The characteristics listed in this product specification apply for standard test conditions as noted. All voltages are referenced to GND. Positive current flows into the referenced pin (see [Figure 56](#)).



**Figure 56. Test Load Diagram**

## Capacitance

Table 18 lists the capacitances.

**Table 18. Capacitance**

| Parameter          | Maximum |
|--------------------|---------|
| Input capacitance  | 12 pF   |
| Output capacitance | 12 pF   |
| I/O capacitance    | 12 pF   |

$T_A = 25\text{ }^\circ\text{C}$ ,  $V_{CC} = \text{GND} = 0\text{ V}$ ,  $f = 1.0\text{ MHz}$ , unmeasured pins returned to GND

## DC Characteristics

Table 19 describes the DC characteristics.

**Table 19. DC Characteristics**

| Symbol       | Parameter                                | $V_{CC}$ | $T_A = 0\text{ }^\circ\text{C to } +70\text{ }^\circ\text{C}$ |                    |                     | Units | Conditions                         | Notes |
|--------------|--|----------|---|--------------------|---------------------|-------|------------------------------------|-------|
|              |  |          | Min   | Typ <sup>(7)</sup> | Max                 |       |                                    |       |
| $V_{CC}$     | Supply Voltage                           |          | 2.0   |                    | 3.6                 | V     | See Notes                          | 5     |
| $V_{CH}$     | Clock Input High Voltage                 | 2.0-3.6  | $0.8 V_{CC}$  |                    | $V_{CC}+0.3$        | V     | Driven by External Clock Generator |       |
| $V_{CL}$     | Clock Input Low Voltage                  | 2.0-3.6  | $V_{SS}-0.3$  |                    | 0.4                 | V     | Driven by External Clock Generator |       |
| $V_{IH}$     | Input High Voltage                       | 2.0-3.6  | $0.7 V_{CC}$  |                    | $V_{CC}+0.3$        | V     |                                    |       |
| $V_{IL}$     | Input Low Voltage                        | 2.0-3.6  | $V_{SS}-0.3$  |                    | $0.2 V_{CC}$        | V     |                                    |       |
| $V_{OH1}$    | Output High Voltage                      | 2.0-3.6  | $V_{CC}-0.4$  |                    |                     | V     | $I_{OH} = -0.5\text{ mA}$          |       |
| $V_{OH2}$    | Output High Voltage (P36, P37, P00, P01) | 2.0-3.6  | $V_{CC}-0.8$  |                    |                     | V     | $I_{OH} = -7\text{ mA}$            |       |
| $V_{OL1}$    | Output Low Voltage                       | 2.0-3.6  |   |                    | 0.4                 | V     | $I_{OL} = 4.0\text{ mA}$           |       |
| $V_{OL2}$    | Output Low Voltage (P00, P01, P36, P37)  | 2.0-3.6  |   |                    | 0.8                 | V     | $I_{OL} = 10\text{ mA}$            |       |
| $V_{OFFSET}$ | Comparator Input Offset Voltage          | 2.0-3.6  |   |                    | 25                  | mV    |                                    |       |
| $V_{REF}$    | Comparator Reference Voltage             | 2.0-3.6  | 0   |                    | $V_{CC}$<br>$-1.75$ | V     |                                    |       |



Table 19. DC Characteristics (Continued)

| Symbol           | Parameter                                 | V <sub>CC</sub> | T <sub>A</sub> = 0 °C to +70 °C |                    |     | Units | Conditions  | Notes              |
|------------------|---|-----------------|---------------------------------|--------------------|-----|-------|---|--------------------|
|                  |   |                 | Min                             | Typ <sup>(7)</sup> | Max |       |   |                    |
| I <sub>IL</sub>  | Input Leakage                             | 2.0-3.6         | -1                              |                    | 1   | μA    | V <sub>IN</sub> = 0 V, V <sub>CC</sub><br>Pull-ups disabled               |                    |
| R <sub>PU</sub>  | Pull-Up Resistance                        | 2.0             | 225                             |                    | 675 | kΩ    | V <sub>IN</sub> = 0 V, Pull-ups<br>selected by<br>mask option             |                    |
|                  |   | 3.6             | 75                              |                    | 275 | kΩ    |   |                    |
| I <sub>OL</sub>  | Output Leakage                            | 2.0-3.6         | -1                              |                    | 1   | μA    | V <sub>IN</sub> = 0 V, V <sub>CC</sub>                                    |                    |
| I <sub>CC</sub>  | Supply Current                            | 2.0             |                                 | 1                  | 3   | mA    | at 8.0 MHz  | 1, 2               |
|                  |   | 3.6             |                                 | 5                  | 10  | mA    | at 8.0 MHz  | 1, 2               |
| I <sub>CC1</sub> | Standby Current<br>(HALT Mode)            | 2.0             |                                 | 0.5                | 1.6 | mA    | V <sub>IN</sub> = 0V, V <sub>CC</sub> at 8.0<br>MHz<br>Same as above      | 1, 2, 6<br>1, 2, 6 |
|                  |   | 3.6             |                                 | 0.8                | 2.0 |       |   |                    |
| I <sub>CC2</sub> | Standby Current<br>(STOP Mode)            | 2.0             |                                 | 1.6                | 8   | μA    | V <sub>IN</sub> = 0 V, V <sub>CC</sub> WDT is<br>not Running              | 3                  |
|                  |   | 3.6             |                                 | 1.8                | 10  | μA    | Same as above   | 3                  |
|                  |   | 2.0             |                                 | 5                  | 20  | μA    | Same as above   | 3                  |
|                  |   | 3.6             |                                 | 8                  | 30  | μA    | V <sub>IN</sub> = 0 V, V <sub>CC</sub> WDT is<br>Running<br>Same as above | 3                  |
| I <sub>LV</sub>  | Standby Current<br>(Low Voltage)          |                 |                                 | 1.2                | 6   | μA    | Measured at 1.3 V   | 4                  |
| V <sub>BO</sub>  | V <sub>CC</sub> Low Voltage<br>Protection |                 |                                 | 1.9                | 2.0 | V     | 8 MHz maximum<br>Ext. CLK Freq.   |                    |
| V <sub>LVD</sub> | V <sub>CC</sub> Low Voltage<br>Detection  |                 |                                 | 2.4                |     | V     |   |                    |
| V <sub>HVD</sub> | V <sub>CC</sub> High Voltage<br>Detection |                 |                                 | 2.7                |     | V     |   |                    |

**Notes**

1. All outputs unloaded, inputs at rail.
2. CL1 = CL2 = 100 pF.
3. Oscillator stopped.
4. Oscillator stops when V<sub>CC</sub> falls below V<sub>BO</sub> limit.
5. It is strongly recommended to add a filter capacitor (minimum 0.1 μF), physically close to VDD and V<sub>SS</sub> pins if operating voltage fluctuations are anticipated, such as those resulting from driving an infrared LED.
6. Comparator and Timers are on. Interrupt disabled.
7. Typical values shown are at 25 °C.

## AC Characteristics

Figure 57 and Table 20 describe the Alternating Current (AC) characteristics.

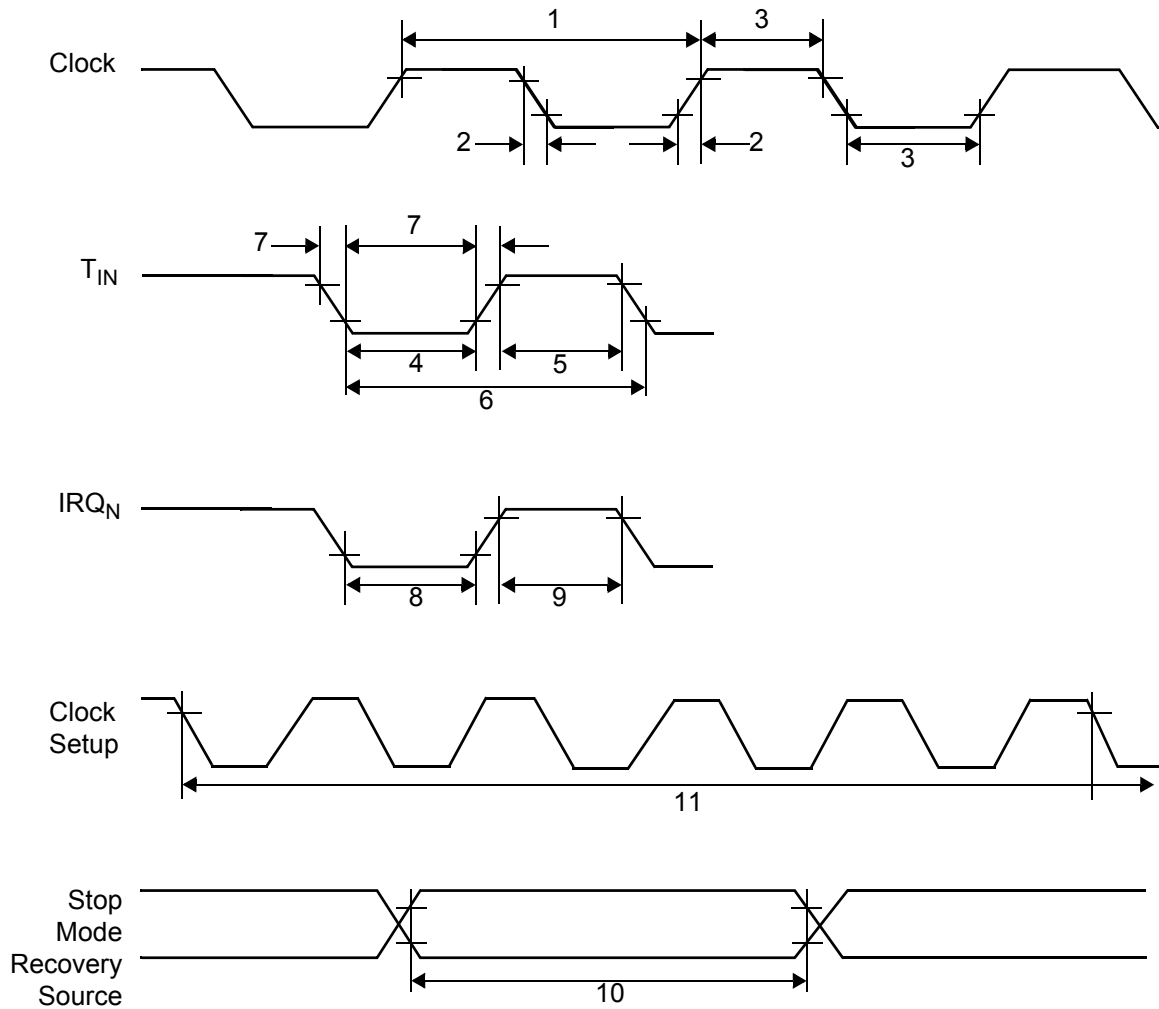


Figure 57. AC Timing Diagram

**Table 20. AC Characteristics**

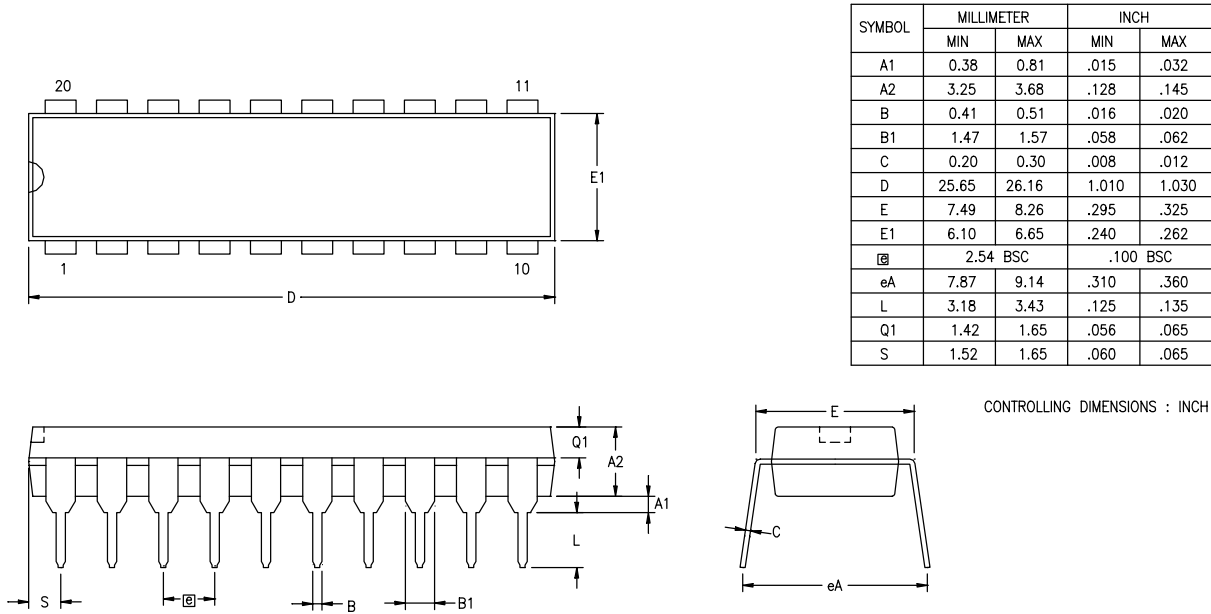
| No | Symbol           | Parameter                         | V <sub>CC</sub>                          | T <sub>A</sub> =0 °C to +70 °C<br>8.0 MHz |         | Units                | Notes                        | Watchdog<br>Timer<br>Mode<br>Register<br>(D1, D0) |
|----|------------------|-----------------------------------|--|---|---------|----------------------|------------------------------|---|
|    |                  |                                   |  | Minimum                                   | Maximum |                      |                              |   |
| 1  | TpC              | Input Clock Period                | 2.0–3.6                                  | 121                                       | DC      | ns                   | 1                            |   |
| 2  | TrC,TfC          | Clock Input Rise and Fall Times   | 2.0–3.6                                  |   | 25      | ns                   | 1                            |   |
| 3  | TwC              | Input Clock Width                 | 2.0–3.6                                  | 37  |         | ns                   | 1                            |   |
| 4  | TwTinL           | Timer Input Low Width             | 2.0<br>3.6                               | 100<br>70                                 |         | ns                   | 1                            |   |
| 5  | TwTinH           | Timer Input High Width            | 2.0–3.6                                  | 3TpC                                      |         |                      | 1                            |   |
| 6  | TpTin            | Timer Input Period                | 2.0–3.6                                  | 8TpC                                      |         |                      | 1                            |   |
| 7  | TrTin,TfTin      | Timer Input Rise and Fall Timers  | 2.0–3.6                                  |   | 100     | ns                   | 1                            |   |
| 8  | TwIL             | Interrupt Request Low Time        | 2.0<br>3.6                               | 100<br>70                                 |         | ns                   | 1, 2                         |   |
| 9  | TwIH             | Interrupt Request Input High Time | 2.0–3.6                                  | 5TpC                                      |         |                      | 1, 2                         |   |
| 10 | Twsm             | Stop Mode Recovery Width Spec     | 2.0–3.6                                  | 12<br>10TpC                               |         | ns                   | 3<br>4                       |   |
| 11 | Tost             | Oscillator Start-Up Time          | 2.0–3.6                                  |   | 5TpC    |                      | 4                            |   |
| 12 | Twdt             | Watchdog Timer Delay Time         | 2.0–3.6<br>2.0–3.6<br>2.0–3.6<br>2.0–3.6 | 5<br>10<br>20<br>80                       |         | ms<br>ms<br>ms<br>ms | 0, 0<br>0, 1<br>1, 0<br>1, 1 |   |
| 13 | T <sub>POR</sub> | Power-on reset                    | 2.0–3.6                                  | 2.5                                       | 10      | ms                   |                              |   |

**Notes**

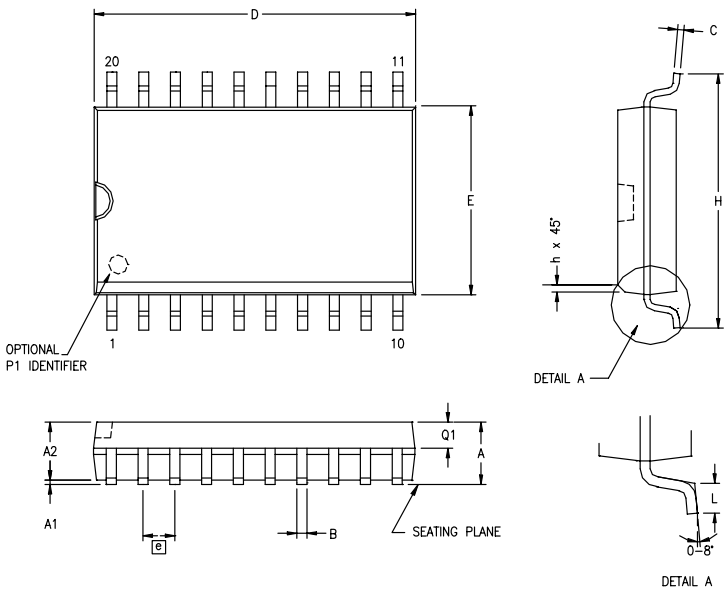
1. Timing Reference uses 0.9 V<sub>CC</sub> for a logic 1 and 0.1 V<sub>CC</sub> for a logic 0.
2. Interrupt request through Port 3 (P33–P31).
3. SMR–D5 = 1.
4. SMR–D5 = 0.

# Packaging

Package information for all versions of Crimzon ZLP32300 is displayed in [Figure 58](#) through [Figure 65](#).



**Figure 58. 20-Pin PDIP Package Diagram**



| SYMBOL | MILLIMETER |       | INCH     |      |
|--------|------------|-------|----------|------|
|        | MIN        | MAX   | MIN      | MAX  |
| A      | 2.40       | 2.65  | .094     | .104 |
| A1     | 0.10       | 0.30  | .004     | .012 |
| A2     | 2.24       | 2.44  | .088     | .096 |
| B      | 0.36       | 0.46  | .014     | .018 |
| C      | 0.23       | 0.30  | .009     | .012 |
| D      | 12.60      | 12.95 | .496     | .510 |
| E      | 7.40       | 7.60  | .291     | .299 |
| ⓐ      | 1.27 BSC   |       | .050 BSC |      |
| H      | 10.00      | 10.65 | .394     | .419 |
| h      | 0.30       | 0.40  | .012     | .016 |
| L      | 0.60       | 1.00  | .024     | .039 |
| Q1     | 0.97       | 1.07  | .038     | .042 |

CONTROLLING DIMENSIONS : MM  
 LEADS ARE COPLANAR WITHIN .004 INCH.

Figure 59. 20-Pin SOIC Package Diagram

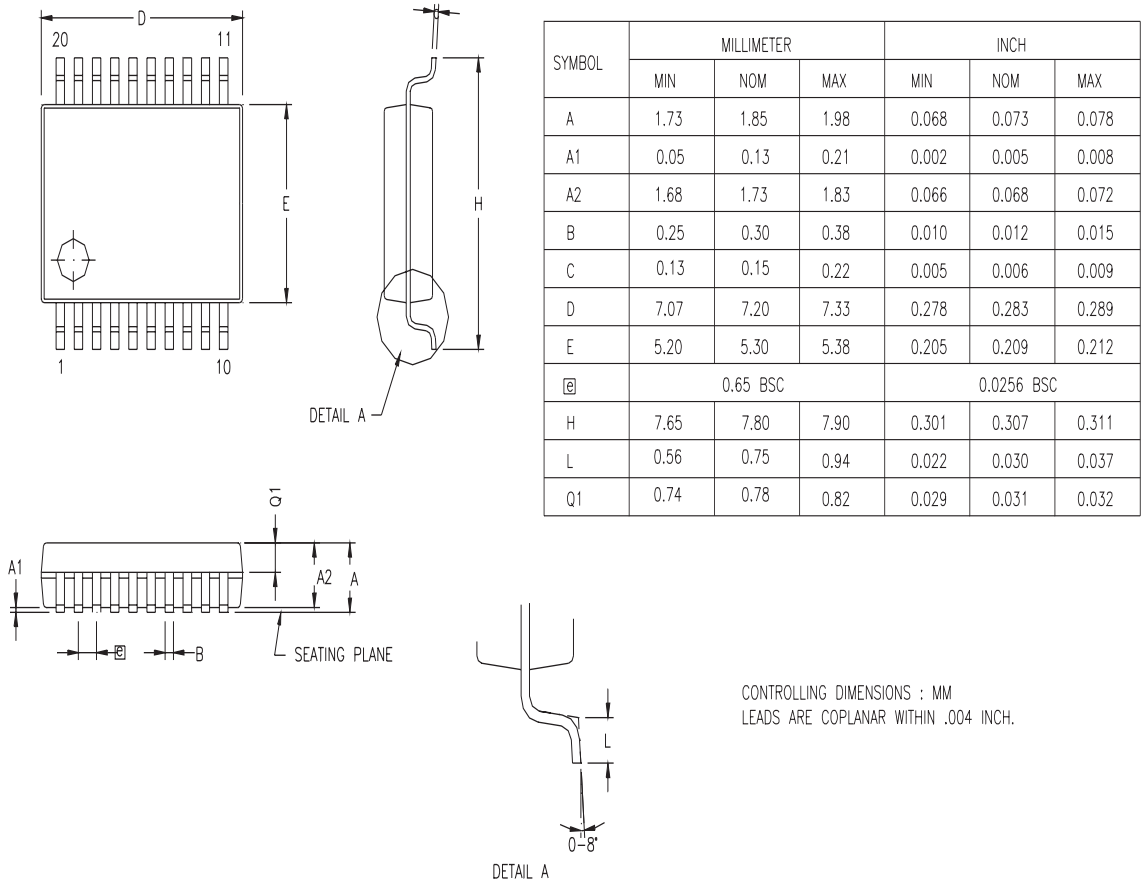
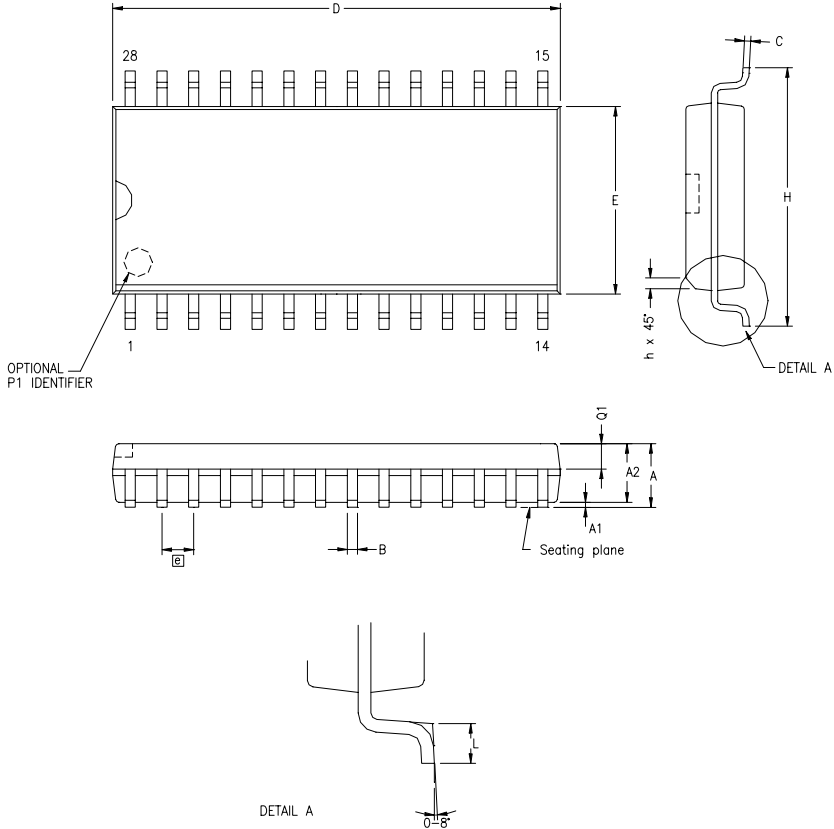


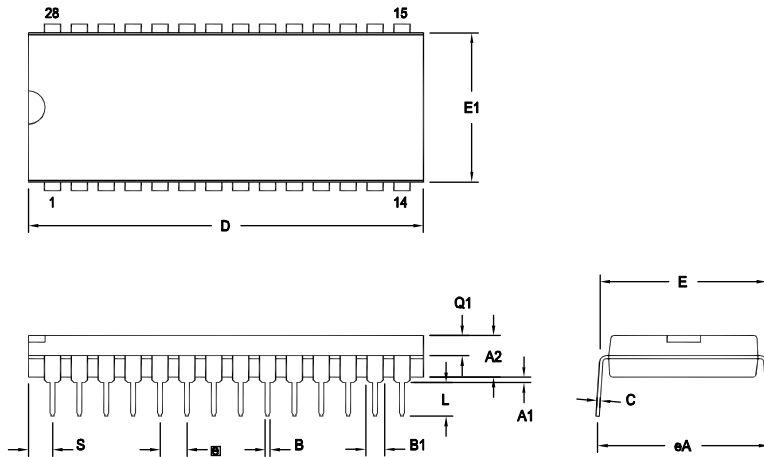
Figure 60. 20-Pin SSOP Package Diagram



| SYMBOL | MILLIMETER |       | INCH     |      |
|--------|------------|-------|----------|------|
|        | MIN        | MAX   | MIN      | MAX  |
| A      | 2.40       | 2.64  | .094     | .104 |
| A1     | 0.10       | 0.30  | .004     | .012 |
| A2     | 2.24       | 2.44  | .088     | .096 |
| B      | 0.36       | 0.46  | .014     | .018 |
| C      | 0.23       | 0.30  | .009     | .012 |
| D      | 17.78      | 18.00 | .700     | .710 |
| E      | 7.40       | 7.60  | .291     | .299 |
| Ⓜ      | 1.27 BSC   |       | .050 BSC |      |
| H      | 10.00      | 10.65 | .394     | .419 |
| h      | 0.30       | 0.71  | .012     | .028 |
| L      | 0.61       | 1.00  | .024     | .039 |
| Q1     | 0.97       | 1.09  | .038     | .043 |

CONTROLLING DIMENSIONS : MM  
 LEADS ARE COPLANAR WITHIN .004 INCH.

Figure 61. 28-Pin SOIC Package Diagram



| SYMBOL | OPT # | MILLIMETER |       | INCH     |       |
|--------|-------|------------|-------|----------|-------|
|        |       | MIN        | MAX   | MIN      | MAX   |
| A1     |       | 0.38       | 1.02  | .015     | .040  |
| A2     |       | 3.18       | 4.19  | .125     | .165  |
| B      |       | 0.38       | 0.53  | .015     | .021  |
| B1     | 01    | 1.40       | 1.65  | .055     | .065  |
|        | 02    | 1.14       | 1.40  | .045     | .055  |
| C      |       | 0.23       | 0.38  | .009     | .015  |
| D      | 01    | 36.58      | 37.34 | 1.440    | 1.470 |
|        | 02    | 35.31      | 35.94 | 1.390    | 1.415 |
| E      |       | 15.24      | 16.75 | .600     | .620  |
| E1     | 01    | 13.59      | 14.10 | .535     | .555  |
|        | 02    | 12.83      | 13.08 | .505     | .515  |
| e      |       | 2.54 TYP   |       | .100 BSC |       |
| eA     |       | 15.49      | 16.76 | .610     | .660  |
| L      |       | 3.05       | 3.81  | .120     | .150  |
| Q1     | 01    | 1.40       | 1.91  | .055     | .075  |
|        | 02    | 1.40       | 1.78  | .055     | .070  |
| S      | 01    | 1.52       | 2.29  | .060     | .090  |
|        | 02    | 1.02       | 1.52  | .040     | .060  |

CONTROLLING DIMENSIONS : INCH

| OPTION TABLE |          |
|--------------|----------|
| OPTION #     | PACKAGE  |
| 01           | STANDARD |
| 02           | IDF      |

Note: ZILOG supplies both options for production. Component layout PCB design should cover bigger option 01.

Figure 62. 28-Pin PDIP Package Diagram



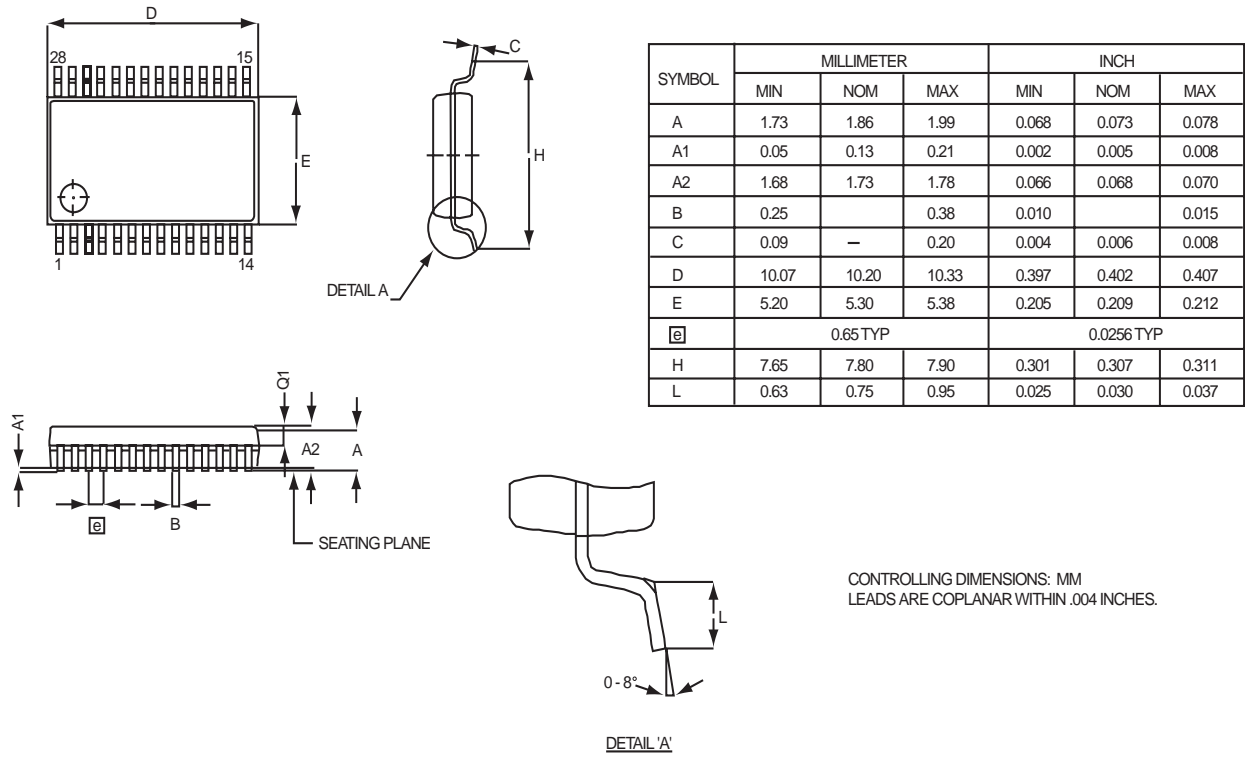


Figure 63. 28-Pin SSOP Package Diagram

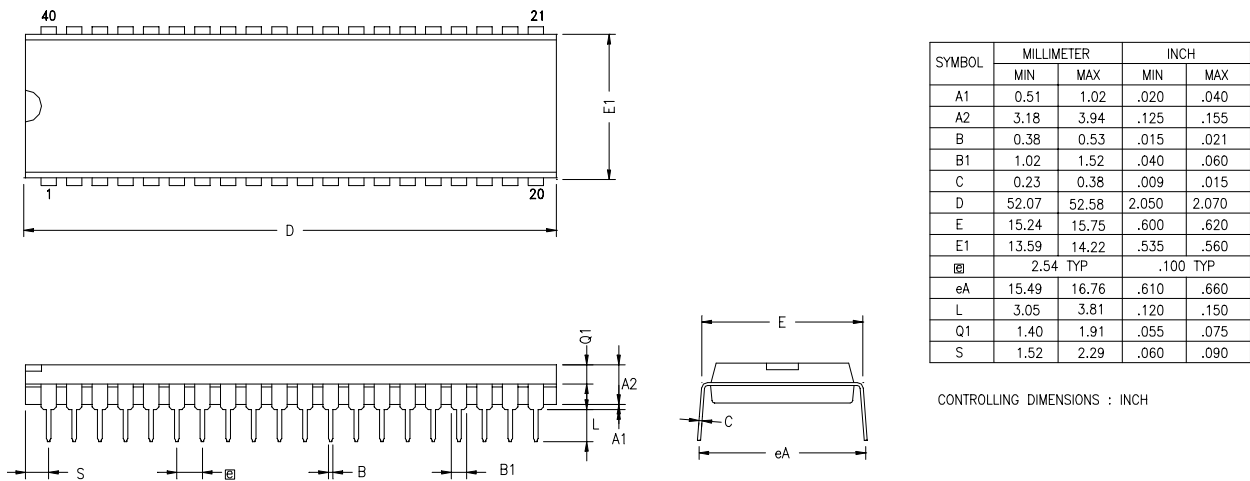
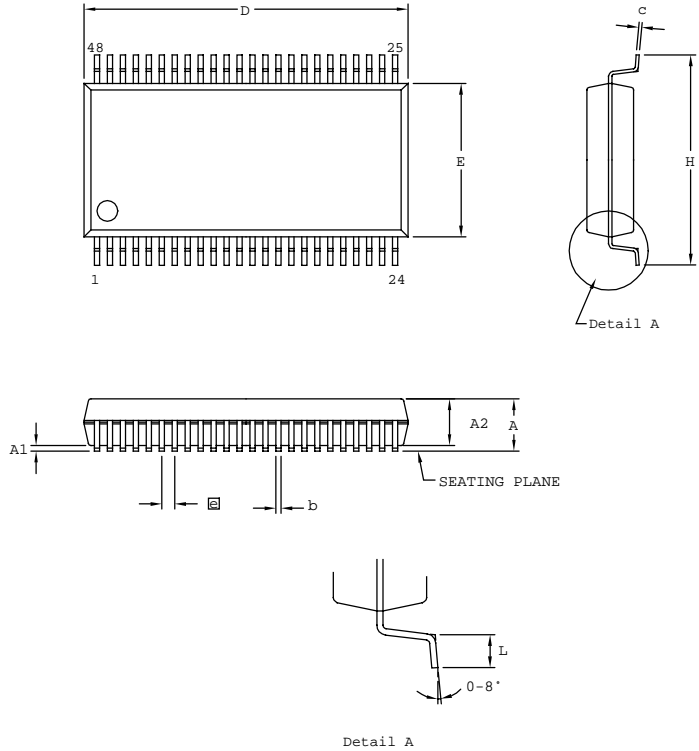


Figure 64. 40-Pin PDIP Package Diagram



| SYMBOL | MILLIMETER |       | INCH      |        |
|--------|------------|-------|-----------|--------|
|        | MIN        | MAX   | MIN       | MAX    |
| A      | 2.41       | 2.79  | 0.095     | 0.110  |
| A1     | 0.23       | 0.38  | 0.009     | 0.015  |
| A2     | 2.18       | 2.39  | 0.086     | 0.094  |
| b      | 0.20       | 0.34  | 0.008     | 0.0135 |
| c      | 0.13       | 0.25  | 0.005     | 0.010  |
| D      | 15.75      | 16.00 | 0.620     | 0.630  |
| E      | 7.39       | 7.59  | 0.291     | 0.299  |
| □      | 0.635 BSC  |       | 0.025 BSC |        |
| H      | 10.16      | 10.41 | 0.400     | 0.410  |
| L      | 0.51       | 1.016 | 0.020     | 0.040  |

CONTROLLING DIMENSIONS : MM  
 LEADS ARE COPLANAR WITHIN .004 INCH

**Figure 65. 48-Pin SSOP Package Design**

► **Note:** Contact Zilog<sup>®</sup> on the actual bonding diagram and coordinate for chip-on-board assembly.

# Ordering Information

The Crimzon ZLP32300 is available for the following parts:

| Device              | Part Number    | Description          |
|---------------------|----------------|----------------------|
| Crimzon<br>ZLP32300 | ZLP32300H4832G | 48-pin SSOP 32 K OTP |
|                     | ZLP32300P4032G | 40-pin PDIP 32 K OTP |
|                     | ZLP32300H2832G | 28-pin SSOP 32 K OTP |
|                     | ZLP32300P2832G | 28-pin PDIP 32 K OTP |
|                     | ZLP32300S2832G | 28-pin SOIC 32 K OTP |
|                     | ZLP32300H2032G | 20-pin SSOP 32 K OTP |
|                     | ZLP32300P2032G | 20-pin PDIP 32 K OTP |
|                     | ZLP32300S2032G | 20-pin SOIC 32 K OTP |
|                     | ZLP32300H4816G | 48-pin SSOP 16 K OTP |
|                     | ZLP32300P4016G | 40-pin PDIP 16 K OTP |
|                     | ZLP32300H2816G | 28-pin SSOP 16 K OTP |
|                     | ZLP32300P2816G | 28-pin PDIP 16 K OTP |
|                     | ZLP32300S2816G | 28-pin SOIC 16 K OTP |
|                     | ZLP32300H2016G | 20-pin SSOP 16 K OTP |
|                     | ZLP32300P2016G | 20-pin PDIP 16 K OTP |
|                     | ZLP32300S2016G | 20-pin SOIC 16 K OTP |
|                     | ZLP32300H4808G | 48-pin SSOP 8 K OTP  |
|                     | ZLP32300P4008G | 40-pin PDIP 8 K OTP  |
|                     | ZLP32300H2808G | 28-pin SSOP 8 K OTP  |
|                     | ZLP32300P2808G | 28-pin PDIP 8 K OTP  |
|                     | ZLP32300S2808G | 28-pin SOIC 8 K OTP  |
|                     | ZLP32300H2008G | 20-pin SSOP 8 K OTP  |

| Device | Part Number   | Description                                 |
|--------|---|---|
|        | ZLP32300P2008G  | 20-pin PDIP 8 K OTP                         |
|        | ZLP32300S2008G  | 20-pin SOIC 8 K OTP                         |
|        | ZLP32300H4804G  | 48-pin SSOP 4 K OTP                         |
|        | ZLP32300P4004G  | 40-pin PDIP 4 K OTP                         |
|        | ZLP32300H2804G  | 28-pin SSOP 4 K OTP                         |
|        | ZLP32300P2804G  | 28-pin PDIP 4 K OTP                         |
|        | ZLP32300S2804G  | 28-pin SOIC 4 K OTP                         |
|        | ZLP32300H2004G  | 20-pin SSOP 4 K OTP                         |
|        | ZLP32300P2004G  | 20-pin PDIP 4 K OTP                         |
|        | ZLP32300S2004G  | 20-pin SOIC 4 K OTP                         |
|        | ZLP323ICE01ZAC*   | 40-PDIP/48-SSOP Accessory Kit               |
|        | Note: *ZLP323ICE01ZAC has been replaced by an improved version, ZCRMZNICE02ZACG.  |   |
|        | ZLP128ICE01ZEMG   | In-Circuit Emulator                         |
|        | Note: *ZLP128ICE01ZEMG has been replaced by an improved version, ZCRMZNICE01ZEMG. |   |
|        | ZCRMZNICE01ZEMG   | Crimzon In-Circuit Emulator                 |
|        | ZCRMZN00100KITG   | Crimzon In-Circuit Emulator Development Kit |
|        | ZCRMZNICE01ZACG   | 20-Pin Accessory Kit                        |
|        | ZCRMZNICE02ZACG   | 40/48-Pin Accessory Kit                     |

**Notes**

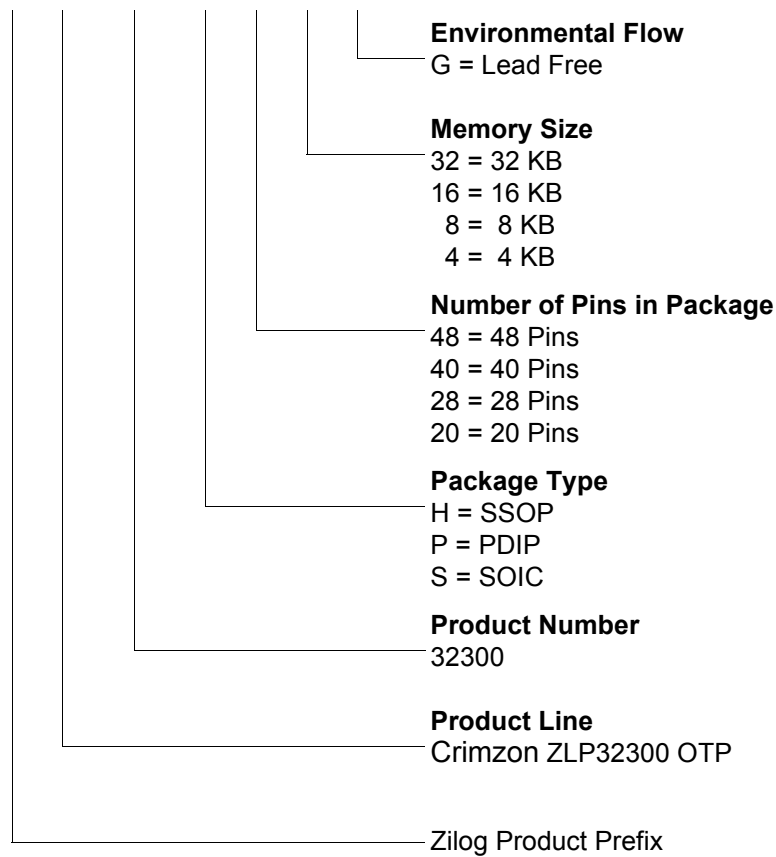
1. Replace C with G for Lead-Free Packaging.
2. Contact [www.zilog.com](http://www.zilog.com) for the die form.

For fast results, contact your local Zilog® sales office for assistance in ordering the part(s) desired.

## Part Number Description

Zilog<sup>®</sup> part numbers consist of a number of components, as shown below.  
ZLP32300H2832G is a Crimzon ZLP32300 OTP product in a 28-pin SSOP package, with 32 KB of OTP and built with lead-free solder.

**Z LP 32300 H 28 32 G**





# Index

## Numerics

16-bit counter/timer circuits 40  
20-pin DIP package diagram 80  
20-pin SSOP package diagram 82  
28-pin DIP package diagram 84  
28-pin SOIC package diagram 83  
28-pin SSOP package diagram 85  
40-pin DIP package diagram 85  
48-pin SSOP package diagram 86  
8-bit counter/timer circuits 36

## A

absolute maximum ratings 75  
AC  
    characteristics 78  
    timing diagram 78  
address spaces, basic 1  
architecture 1  
    expanded register file 22

## B

basic address spaces 1  
block diagram, ZLP32300 functional 3

## C

capacitance 76  
characteristics  
    AC 78  
    DC 76  
clock 46  
comparator inputs/outputs 18  
configuration  
    port 0 12  
    port 1 13  
    port 2 14  
    port 3 15

port 3 counter/timer 17  
counter/timer  
    16-bit circuits 40  
    8-bit circuits 36  
    brown-out voltage/standby 58  
    clock 46  
    demodulation mode count capture flowchart 38  
    demodulation mode flowchart 39  
    EPROM selectable options 58  
    glitch filter circuitry 34  
    halt instruction 47  
    input circuit 33  
    interrupt block diagram 44  
    interrupt types, sources and vectors 45  
    oscillator configuration 46  
    output circuit 43  
    port configuration register 48  
    resets and WDT 57  
    SCLK circuit 50  
    stop instruction 47  
    stop mode recovery register 49  
    stop mode recovery register 2 54  
    stop mode recovery source 52  
    T16 demodulation mode 41  
    T16 transmit mode 40  
    T16\_OUT in modulo-N mode 41  
    T16\_OUT in single-pass mode 41  
    T8 demodulation mode 37  
    T8 transmit mode 34  
    T8\_OUT in modulo-N mode 37  
    T8\_OUT in single-pass mode 37  
    transmit mode flowchart 35  
    voltage detection and flags 59  
    watch-dog timer mode register 55  
    watch-dog timer time select 56  
CTR(D)01h T8 and T16 Common Functions 29

## D

DC characteristics 76  
demodulation mode  
    count capture flowchart 38  
    flowchart 39  
    T16 41

T8 37  
description  
  functional 19  
  general 3  
  pin 5

## E

EPROM  
  selectable options 58  
expanded register file 20  
expanded register file architecture 22  
expanded register file control registers 64  
  flag 73  
  interrupt mask register 72  
  interrupt priority register 71  
  interrupt request register 72  
  port 0 and 1 mode register 70  
  port 2 configuration register 69  
  port 3 mode register 69  
  port configuration register 69  
  register pointer 73  
  stack pointer high register 74  
  stack pointer low register 74  
  stop mode recovery register 66  
  stop mode recovery register 2 67  
  T16 control register 62  
  T8 and T16 common control functions register 61  
  T8/T16 control register 63  
  TC8 control register 60  
  watchdog timer register 68

## F

features  
  standby modes 2  
  ZLP32300 2  
functional description  
  counter/timer functional blocks 33  
  CTR(D)01h register 28  
  CTR0(D)00h register 27  
  CTR2(D)02h register 31  
  CTR3(D)03h register 33

expanded register file 20  
expanded register file architecture 22  
HI16(D)09h register 26  
HI8(D)0Bh register 25  
L08(D)0Ah register 26  
L0I6(D)08h register 26  
program memory map 20  
RAM 19  
register description 58  
register file 24  
register pointer 23  
register pointer detail 25  
SMR2(F)0D1h register 33  
stack 25  
TC16H(D)07h register 26  
TC16L(D)06h register 26  
TC8H(D)05h register 27  
TC8L(D)04h register 27

## G

glitch filter circuitry 34

## H

halt instruction, counter/timer 47

## I

input circuit 33  
interrupt block diagram, counter/timer 44  
interrupt types, sources and vectors 45

## L

low-voltage detection register 58

## M

memory, program 19  
modulo-N mode  
  T16\_OUT 41  
  T8\_OUT 37



**O**

oscillator configuration 46  
output circuit, counter/timer 43

**P**

package information  
    20-pin DIP package diagram 80  
    20-pin SSOP package diagram 82  
    28-pin DIP package diagram 84  
    28-pin SOIC package diagram 83  
    28-pin SSOP package diagram 85  
    40-pin DIP package diagram 85  
    48-pin SSOP package diagram 86  
part number format 89  
pin configuration  
    20-pin DIP/SOIC/SSOP 5  
    28-pin DIP/SOIC/SSOP 6  
    40- and 48-pin 8  
    40-pin DIP 7  
    48-pin SSOP 8  
pin functions  
    port 0 (P07 - P00) 11  
    port 0 (P17 - P10) 12  
    port 0 configuration 12  
    port 1 configuration 13  
    port 2 (P27 - P20) 13  
    port 2 (P37 - P30) 14  
    port 2 configuration 14  
    port 3 configuration 15  
    port 3 counter/timer configuration 17  
    reset) 18  
    XTAL1 (time-based input 10  
    XTAL2 (time-based output) 10  
port 0 configuration 12  
port 0 pin function 11  
port 1 configuration 13  
port 1 pin function 12  
port 2 configuration 14  
port 2 pin function 13  
port 3 configuration 15  
port 3 pin function 14  
port 3 counter/timer configuration 17  
port configuration register 48

power connections 1  
power supply 5  
program memory 19  
    map 20

**R**

ratings, absolute maximum 75  
register 54  
    CTR(D)01h 28  
    CTR0(D)00h 27  
    CTR2(D)02h 31  
    CTR3(D)03h 33  
    flag 73  
    HI16(D)09h 26  
    HI8(D)0Bh 25  
interrupt priority 71  
interrupt request 72  
interruptmask 72  
L016(D)08h 26  
L08(D)0Ah 26  
LVD(D)0Ch 58  
pointer 73  
port 0 and 1 70  
port 2 configuration 69  
port 3 mode 69  
port configuration 48, 69  
SMR2(F)0Dh 33  
stack pointer high 74  
stack pointer low 74  
stop mode recovery 49  
stop mode recovery 2 54  
stop mode recovery 66  
stop mode recovery 2 67  
T16 control 62  
T8 and T16 common control functions 61  
T8/T16 control 63  
TC16H(D)07h 26  
TC16L(D)06h 26  
TC8 control 60  
TC8H(D)05h 27  
TC8L(D)04h 27  
voltage detection 64  
watch-dog timer 68

register description

- Counter/Timer2 LS-Byte Hold 26
- Counter/Timer2 MS-Byte Hold 26
- Counter/Timer8 Control 27
- Counter/Timer8 High Hold 27
- Counter/Timer8 Low Hold 27
- CTR2 Counter/Timer 16 Control 31
- CTR3 T8/T16 Control 33
- Stop Mode Recovery2 33
- T16\_Capture\_LO 26
- T8 and T16 Common functions 28
- T8\_Capture\_HI 25
- T8\_Capture\_LO 26

register file 24

- expanded 20

register pointer 23

- detail 25

reset pin function 18

resets and WDT 57

## S

SCLK circuit 50

single-pass mode

- T16\_OUT 41

- T8\_OUT 37

stack 25

standard test conditions 75

standby modes 2

stop instruction, counter/timer 47

stop mode recovery

- 2 register 54

- source 52

stop mode recovery 2 54

stop mode recovery register 49

## T

T16 transmit mode 40

T16\_Capture\_HI 26

T8 transmit mode 34

T8\_Capture\_HI 25

test conditions, standard 75

test load diagram 75

timing diagram, AC 78

transmit mode flowchart 35

## V

VCC 5

voltage

- brown-out/standby 58

- detection and flags 59

voltage detection register 64

## W

watchdog timer

- mode register watchdog timer mode register 55

- time select 56

## X

XTAL1 5

XTAL1 pin function 10

XTAL2 5

XTAL2 pin function 10

## Z

ZLP32300 family members 2

# Customer Support

For answers to technical questions about the product, documentation, or any other issues with Zilog's offerings, please visit Zilog's Knowledge Base at <http://www.zilog.com/kb>.

For any comments, detail technical questions, or reporting problems, please visit Zilog's Technical Support at <http://support.zilog.com>.