



TS5A3166-Q1 0.9-Ω SPST Analog Switch

1 Features

- Qualified for Automotive Applications
- Isolation in Powered-Off Mode, $V_+ = 0$
- Low ON-State Resistance (0.9 Ω)
- Control Inputs are 5.5 V Tolerant
- Low Charge Injection
- Low Total Harmonic Distortion (THD)
- 1.65-V to 5.5-V Single-Supply Operation
- Latch-Up Performance Exceeds 100 mA Per JESD 78, Class II
- ESD Performance Tested Per JESD 22
 - 2000-V Human-Body Model (A114-B, Class II)
 - 1000-V Charged-Device Model (C101)

2 Applications

- Cell Phones
- PDAs
- Radar System
- Infotainment System
- Portable Instrumentation
- Audio and Video Signal Routing
- Low-Voltage Data-Acquisition Systems
- Communication Circuits
- Modems
- Hard Drives
- Computer Peripherals
- Wireless Terminals and Peripherals
- Microphone Switching – Notebook Docking

3 Description

The TS5A3166-Q1 is a single-pole single-throw (SPST) analog switch that is designed to operate from 1.65 V to 5.5 V. The device offers a low ON-state resistance. The device has excellent total harmonic distortion (THD) performance and consumes very low power. These features make this device suitable for portable audio applications.

Device Information⁽¹⁾

| PART NUMBER | PACKAGE | BODY SIZE (NOM) |
|-------------|----------|-------------------|
| TS5A3166-Q | SC70 (5) | 2.00 mm × 1.25 mm |

(1) For all available packages, see the orderable addendum at the end of the datasheet.

4 Simplified Schematic

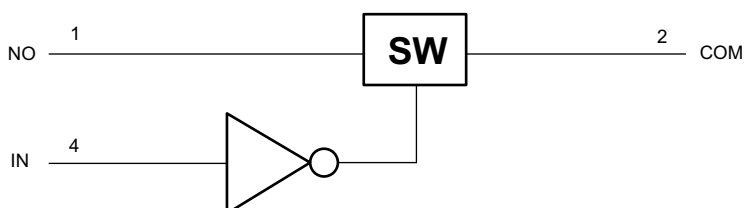


Table of Contents

| | | | |
|---|-----------|--|-----------|
| 1 Features | 1 | 9 Detailed Description | 18 |
| 2 Applications | 1 | 9.1 Overview | 18 |
| 3 Description | 1 | 9.2 Functional Block Diagram | 19 |
| 4 Simplified Schematic | 1 | 9.3 Feature Description | 19 |
| 5 Revision History | 2 | 9.4 Device Functional Modes | 19 |
| 6 Pin Configuration and Functions | 3 | 10 Application and Implementation | 20 |
| 7 Specifications | 3 | 10.1 Application Information | 20 |
| 7.1 Absolute Maximum Ratings | 3 | 10.2 Typical Application | 21 |
| 7.2 ESD Ratings | 3 | 11 Power Supply Recommendations | 22 |
| 7.3 Recommended Operating Conditions | 4 | 12 Layout | 22 |
| 7.4 Thermal Information | 4 | 12.1 Layout Guidelines | 22 |
| 7.5 Electrical Characteristics for 5-V Supply | 5 | 12.2 Layout Example | 22 |
| 7.6 Electrical Characteristics for 3.3-V Supply | 7 | 13 Device and Documentation Support | 23 |
| 7.7 Electrical Characteristics for 2.5-V Supply | 9 | 13.1 Trademarks | 23 |
| 7.8 Electrical Characteristics for 1.8-V Supply | 11 | 13.2 Electrostatic Discharge Caution | 23 |
| 7.9 Typical Characteristics | 13 | 13.3 Glossary | 23 |
| 8 Parameter Measurement Information | 15 | 14 Mechanical, Packaging, and Orderable Information | 23 |

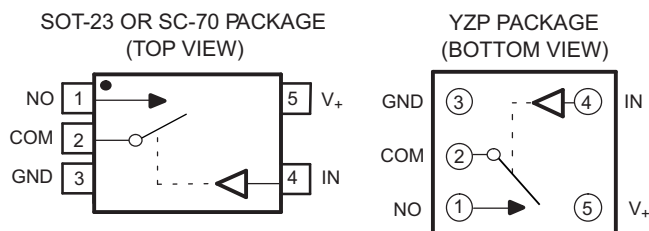
5 Revision History

Changes from Original (July 2014) to Revision A

Page

| | |
|--|----------|
| • Initial release of full document. | 1 |
|--|----------|

6 Pin Configuration and Functions



Pin Functions

| PIN | | I/O | DESCRIPTION |
|----------------|-----|-------|--|
| NAME | NO. | | |
| NO | 1 | IO | Normally closed |
| COM | 2 | IO | Common |
| GND | 3 | GND | Digital ground |
| IN | 4 | Input | Digital control pin to connect COM to NO |
| V ₊ | 5 | Power | Power Supply |

7 Specifications

7.1 Absolute Maximum Ratings⁽¹⁾⁽²⁾

over operating free-air temperature range (unless otherwise noted)

| | | MIN | MAX | UNIT |
|-------------------------------------|---|--|----------------------|---------|
| V ₊ | Supply voltage range ⁽³⁾ | -0.5 | 6.5 | V |
| V _{NO} V _{COM} | Analog voltage range ⁽³⁾⁽⁴⁾⁽⁵⁾ | -0.5 | V ₊ + 0.5 | V |
| I _K | Analog port diode current | V _{NO} , V _{COM} < 0 | | mA |
| I _{NO} I _{COM} | On-state switch current | V _{NO} , V _{COM} = 0 to V ₊ | | mA |
| | On-state peak switch current ⁽⁶⁾ | -400 | 400 | |
| V _I | Digital input voltage range ⁽³⁾⁽⁴⁾ | -0.5 | 6.5 | V |
| I _{IK} | Digital clamp current | V _I < 0 | | mA |
| I ₊ | Continuous current through V ₊ | | | 100 mA |
| I _{GND} | Continuous current through GND | | | -100 mA |
| T _{stg} | Storage temperature range | -65 | 150 | °C |

- (1) Stresses beyond those listed under "absolute maximum ratings" may cause permanent damage to the device. These are stress ratings only, and functional operation of the device at these or any other conditions beyond those indicated under "recommended operating conditions" is not implied. Exposure to absolute-maximum-rated conditions for extended periods may affect device reliability.
- (2) The algebraic convention, whereby the most negative value is a minimum and the most positive value is a maximum
- (3) All voltages are with respect to ground, unless otherwise specified.
- (4) The input and output voltage ratings may be exceeded if the input and output clamp-current ratings are observed.
- (5) This value is limited to 5.5 V maximum.
- (6) Pulse at 1-ms duration < 10% duty cycle.

7.2 ESD Ratings

| | | VALUE | UNIT |
|--------------------|-------------------------|---|-------|
| V _(ESD) | Electrostatic discharge | Human-body model (HBM), per AEC Q100-002 ⁽¹⁾ | ±2000 |
| | | Charged-device model (CDM), per AEC Q100-011 | ±1000 |

- (1) AEC Q100-002 indicates that HBM stressing shall be in accordance with the ANSI/ESDA/JEDEC JS-001 specification.

7.3 Recommended Operating Conditions

over operating free-air temperature range (unless otherwise noted)

| | | MIN | MAX | UNIT |
|-----------|--------------------------------|-----|-----|------|
| $V_{I/O}$ | Input/output voltage | 0 | 5.5 | V |
| V_+ | Supply voltage | 0 | 5.5 | V |
| V_I | Control Input Voltage | 0 | 5.5 | V |
| T_A | Operating free-air temperature | -40 | 125 | °C |

7.4 Thermal Information

| THERMAL METRIC ⁽¹⁾ | | TS5A3166-Q1 | | UNIT |
|-------------------------------|--|-------------|--|------|
| | | DCK | | |
| | | 5 PINS | | |
| $R_{\theta JA}$ | Junction-to-ambient thermal resistance | 283.1 | | °C/W |
| $R_{\theta JC(top)}$ | Junction-to-case (top) thermal resistance | 92.2 | | |
| $R_{\theta JB}$ | Junction-to-board thermal resistance | 60.8 | | |
| Ψ_{JT} | Junction-to-top characterization parameter | 1.7 | | |
| Ψ_{JB} | Junction-to-board characterization parameter | 60.0 | | |

 (1) For more information about traditional and new thermal metrics, see the *IC Package Thermal Metrics* application report, [SPRA953](#).

7.5 Electrical Characteristics for 5-V Supply⁽¹⁾

 $V_+ = 4.5\text{ V to }5.5\text{ V}$, $T_A = -40^\circ\text{C to }85^\circ\text{C}$ (unless otherwise noted)

| PARAMETER | SYMBOL | TEST CONDITIONS | T_A | V_+ | 85°C | | | 125°C | | | UNIT | |
|------------------------------------|-------------------|---|------------------------------|-------|-------|------|-------|-------|------|----------|------|---------------|
| | | | | | MIN | TYP | MAX | MIN | TYP | MAX | | |
| Analog Switch | | | | | | | | | | | | |
| Analog signal range | V_{COM}, V_{NO} | | | | 0 | | V_+ | 0 | | V_+ | V | |
| Peak ON resistance | r_{peak} | $0 \leq V_{NO} \leq V_+$, $I_{COM} = -100\text{ mA}$, | Switch ON, See Figure 13 | 25°C | 4.5 V | 0.8 | 1.1 | 0.8 | 1.1 | Ω | | |
| | | | Full | | | | 1.2 | | 1.44 | | | |
| ON-state resistance | r_{on} | $V_{NO} = 2.5\text{ V}$, $I_{COM} = -100\text{ mA}$, | Switch ON, See Figure 13 | 25°C | 4.5 V | 0.7 | 0.9 | 0.7 | 0.9 | Ω | | |
| | | | Full | | | | 1 | | 1.2 | | | |
| ON-state resistance flatness | $r_{on(flat)}$ | $0 \leq V_{NO} \leq V_+$, $I_{COM} = -100\text{ mA}$, $V_{NO} = 1\text{ V}, 1.5\text{ V}, 2.5\text{ V}$, $I_{COM} = -100\text{ mA}$, | Switch ON, See Figure 13 | 25°C | 4.5 V | 0.15 | | 0.15 | | Ω | | |
| | | | 25°C | | | 0.09 | 0.15 | 0.09 | 0.15 | | | |
| | | | Full | | | 0.15 | | 0.18 | | | | |
| NO OFF leakage current | $I_{NO(OFF)}$ | $V_{NO} = 1\text{ V}$, $V_{COM} = 4.5\text{ V}$, or $V_{NO} = 4.5\text{ V}$, $V_{COM} = 1\text{ V}$, | Switch OFF, See Figure 14 | 25°C | 5.5 V | -20 | 4 | 20 | -80 | 4 | 80 | nA |
| | | | | Full | | | -100 | | 100 | -400 | | 400 |
| | $I_{NO(PWROFF)}$ | $V_{NO} = 0\text{ to }5.5\text{ V}$, $V_{COM} = 5.5\text{ V to }0$, | | 25°C | 0 V | -5 | 0.4 | 5 | -5 | 0.4 | 5 | μA |
| | | | | Full | | | -15 | | 15 | -30 | | 30 |
| COM OFF leakage current | $I_{COM(OFF)}$ | $V_{COM} = 1\text{ V}$, $V_{NO} = 4.5\text{ V}$, or $V_{COM} = 4.5\text{ V}$, $V_{NO} = 1\text{ V}$, | Switch OFF, See Figure 14 | 25°C | 5.5 V | -20 | 4 | 20 | -80 | 4 | 80 | nA |
| | | | | Full | | | -100 | | 100 | -400 | | 400 |
| | $I_{COM(PWROFF)}$ | $V_{COM} = 5.5\text{ V to }0$, $V_{NO} = 0\text{ to }5.5\text{ V}$, | | 25°C | 0 V | -5 | 0.4 | 5 | -5 | 0.4 | 5 | μA |
| | | | | Full | | | -15 | | 15 | -30 | | 30 |
| NO ON leakage current | $I_{NO(ON)}$ | $V_{NO} = 1\text{ V}$, $V_{COM} = \text{Open}$, or $V_{NO} = 4.5\text{ V}$, $V_{COM} = \text{Open}$, | Switch ON, See Figure 15 | 25°C | 5.5 V | -2 | 0.3 | 2 | -80 | 0.3 | 80 | nA |
| | | | | Full | | | -20 | | 20 | -400 | | |
| COM ON leakage current | $I_{COM(ON)}$ | $V_{COM} = 1\text{ V}$, $V_{NO} = \text{Open}$, or $V_{COM} = 4.5\text{ V}$, $V_{NO} = \text{Open}$, | Switch ON, See Figure 15 | 25°C | 5.5 V | -2 | 0.3 | 2 | -80 | 0.3 | 80 | nA |
| | | | | Full | | | -20 | | 20 | -400 | | |
| Digital Control Inputs (IN) | | | | | | | | | | | | |
| Input logic high | V_{IH} | | | Full | | 2.4 | | 5.5 | 2.4 | | 5.5 | V |
| Input logic low | V_{IL} | | | Full | | 0 | | 0.8 | 0 | | 0.8 | V |
| Input leakage current | I_{IH}, I_{IL} | $V_I = 5.5\text{ V or }0$ | | 25°C | 5.5 V | -2 | 0.3 | 2 | | | | nA |
| | | | | Full | | | -20 | | 20 | -400 | | |

(1) The algebraic convention, whereby the most negative value is a minimum and the most positive value is a maximum.

Electrical Characteristics for 5-V Supply⁽¹⁾ (continued)
 $V_+ = 4.5\text{ V to }5.5\text{ V}$, $T_A = -40^\circ\text{C to }85^\circ\text{C}$ (unless otherwise noted)

| PARAMETER | SYMBOL | TEST CONDITIONS | T _A | V ₊ | 85°C | | | 125°C | | | UNIT | |
|------------------------------|-----------------------|---|--|----------------|-------------------|------|-------|-------|------|-------|------|-----|
| | | | | | MIN | TYP | MAX | MIN | TYP | MAX | | |
| Dynamic | | | | | | | | | | | | |
| Turn-on time | t _{ON} | V _{COM} = V ₊ , R _L = 50 Ω, | C _L = 35 pF, See Figure 17 | 25°C | 5 V | 2.5 | 4.5 | 7 | 2.5 | 4.5 | 7 | ns |
| | | | | Full | 4.5 V to 5.5 V | 1.5 | | 7.5 | 1.5 | | 7.5 | |
| Turn-off time | t _{OFF} | V _{COM} = V ₊ , R _L = 50 Ω, | C _L = 35 pF, See Figure 17 | 25°C | 5 V | 6 | 9 | 11.5 | 6 | 9 | 11.5 | ns |
| | | | | Full | 4.5 V to 5.5 V | 4 | | 12.5 | 4 | | 12.5 | |
| Charge injection | Q _C | V _{GEN} = 0, R _{GEN} = 0, | C _L = 1 nF, See Figure 20 | 25°C | 5 V | | 1 | | | 1 | | pC |
| NO OFF capacitance | C _{NO(OFF)} | V _{NO} = V ₊ or GND, Switch OFF, | See Figure 16 | 25°C | 5 V | | 19 | | | 19 | | pF |
| COM OFF capacitance | C _{COM(OFF)} | V _{COM} = V ₊ or GND, Switch OFF, | See Figure 16 | 25°C | 5 V | | 18 | | | 18 | | pF |
| NO ON capacitance | C _{NO(ON)} | V _{NO} = V ₊ or GND, Switch ON, | See Figure 16 | 25°C | 5 V | | 35.5 | | | 35.5 | | pF |
| COM ON capacitance | C _{COM(ON)} | V _{COM} = V ₊ or GND, Switch ON, | See Figure 16 | 25°C | 5 V | | 35.5 | | | 35.5 | | pF |
| Digital input capacitance | C _I | V _I = V ₊ or GND, | See Figure 16 | 25°C | 5 V | | 2 | | | 2 | | pF |
| Bandwidth | BW | R _L = 50 Ω, Switch ON, | See Figure 18 | 25°C | 5 V | | 200 | | | 200 | | MHz |
| OFF isolation | O _{ISO} | R _L = 50 Ω, f = 1 MHz, | Switch OFF, See Figure 19 | 25°C | 5 V | | -64 | | | -64 | | dB |
| Total harmonic distortion | THD | R _L = 600 Ω, C _L = 50 pF, | f = 20 Hz to 20 kHz, See Figure 21 | 25°C | 5 V | | 0.005 | | | 0.005 | | % |
| Supply | | | | | | | | | | | | |
| Positive supply current | I ₊ | V _I = V ₊ or GND, | Switch ON or OFF | 25°C | 5.5 V | 0.01 | 0.1 | | 0.01 | 0.1 | | μA |
| | | | | Full | | | 0.5 | | 0.8 | | | |

7.6 Electrical Characteristics for 3.3-V Supply⁽¹⁾

 $V_+ = 3\text{ V to }3.6\text{ V}$, $T_A = -40^\circ\text{C to }85^\circ\text{C}$ (unless otherwise noted)

| PARAMETER | SYMBOL | TEST CONDITIONS | T_A | V_+ | 85°C | | | 125°C | | | UNIT | |
|------------------------------------|-------------------|--|------------------------------|-------|-------|------|-------|-------|------|----------|------|---------------|
| | | | | | MIN | TYP | MAX | MIN | TYP | MAX | | |
| Analog Switch | | | | | | | | | | | | |
| Analog signal range | V_{COM}, V_{NO} | | | | 0 | | V_+ | 0 | | V_+ | V | |
| Peak ON resistance | r_{peak} | $0 \leq V_{NO} \leq V_+$, $I_{COM} = -100\text{ mA}$, | Switch ON, See Figure 13 | 25°C | 3 V | 1.1 | 1.5 | 1.1 | 1.5 | Ω | | |
| | | | Full | | | | 1.7 | 2.07 | | | | |
| ON-state resistance | r_{on} | $V_{NO} = 2\text{ V}$, $I_{COM} = -100\text{ mA}$, | Switch ON, See Figure 13 | 25°C | 3 V | 1 | 1.4 | 1 | 1.4 | Ω | | |
| | | | Full | | | | 1.5 | 1.8 | | | | |
| ON-state resistance flatness | $r_{on(flat)}$ | $0 \leq V_{NO} \leq V_+$, $I_{COM} = -100\text{ mA}$, | Switch ON, See Figure 13 | 25°C | 3 V | 0.3 | | 0.3 | | Ω | | |
| | | $V_{NO} = 2\text{ V}, 0.8\text{ V}$, $I_{COM} = -100\text{ mA}$, | | 25°C | | 0.09 | 0.15 | 0.09 | 0.15 | | | |
| | | | | Full | | 0.15 | | 0.18 | | | | |
| NO OFF leakage current | $I_{NO(OFF)}$ | $V_{NO} = 1\text{ V}$, $V_{COM} = 3\text{ V}$, or $V_{NO} = 3\text{ V}$, $V_{COM} = 1\text{ V}$, | Switch OFF, See Figure 14 | 25°C | 3.6 V | -2 | 0.5 | 2 | -2 | 0.5 | 2 | nA |
| | | | | Full | | | | -20 | 20 | -360 | 360 | |
| | $I_{NO(PWROFF)}$ | $V_{NO} = 0\text{ to }3.6\text{ V}$, $V_{COM} = 3.6\text{ V to }0$, | | 25°C | 0 V | -1 | 0.1 | 1 | -1 | 0.1 | 1 | μA |
| | | | | Full | | | -5 | 5 | -27 | 27 | | |
| COM OFF leakage current | $I_{COM(OFF)}$ | $V_{COM} = 1\text{ V}$, $V_{NO} = 3\text{ V}$, or $V_{COM} = 3\text{ V}$, $V_{NO} = 1\text{ V}$, | Switch OFF, See Figure 14 | 25°C | 3.6 V | -2 | 0.5 | 2 | -72 | 0.5 | 72 | nA |
| | | | | Full | | | | -20 | 20 | -360 | 360 | |
| | $I_{COM(PWROFF)}$ | $V_{COM} = 3.6\text{ V to }0$, $V_{NO} = 0\text{ to }3.6\text{ V}$, | | 25°C | 0 V | -1 | 0.1 | 1 | -2 | 0.1 | 2 | μA |
| | | | | Full | | | -5 | 5 | -27 | 27 | | |
| NO ON leakage current | $I_{NO(ON)}$ | $V_{NO} = 1\text{ V}$, $V_{COM} = \text{Open}$, or $V_{NO} = 3\text{ V}$, $V_{COM} = \text{Open}$, | Switch ON, See Figure 15 | 25°C | 3.6 V | -2 | 0.2 | 2 | -72 | 72 | nA | |
| | | | Full | | | | -20 | 20 | -360 | 360 | | |
| COM ON leakage current | $I_{COM(ON)}$ | $V_{COM} = 1\text{ V}$, $V_{NO} = \text{Open}$, or $V_{COM} = 3\text{ V}$, $V_{NO} = \text{Open}$, | Switch ON, See Figure 15 | 25°C | 3.6 V | -2 | 0.2 | 2 | -72 | 72 | nA | |
| | | | Full | | | | -20 | 20 | -360 | 360 | | |
| Digital Control Inputs (IN) | | | | | | | | | | | | |
| Input logic high | V_{IH} | | | Full | | 2 | 5.5 | 2 | 5.5 | V | | |
| Input logic low | V_{IL} | | | Full | | 0 | 0.8 | 0 | 0.8 | V | | |
| Input leakage current | I_{IH}, I_{IL} | $V_I = 5.5\text{ V or }0$ | | 25°C | 3.6 V | -2 | 0.3 | 2 | | | nA | |
| | | | | Full | | | | -20 | 20 | -360 | | 360 |

(1) The algebraic convention, whereby the most negative value is a minimum and the most positive value is a maximum

Electrical Characteristics for 3.3-V Supply⁽¹⁾ (continued)
 $V_+ = 3\text{ V to }3.6\text{ V}$, $T_A = -40^\circ\text{C to }85^\circ\text{C}$ (unless otherwise noted)

| PARAMETER | SYMBOL | TEST CONDITIONS | T_A | V_+ | 85°C | | | 125°C | | | UNIT | |
|------------------------------|----------------|---|--|-------|-----------------|------|------|-------|------|------|---------------|----|
| | | | | | MIN | TYP | MAX | MIN | TYP | MAX | | |
| Dynamic | | | | | | | | | | | | |
| Turn-on time | t_{ON} | $V_{COM} = V_+$, $R_L = 50\ \Omega$, | $C_L = 35\text{ pF}$, See Figure 17 | 25°C | 3.3 V | 2 | 5 | 10 | 2 | 5 | 10 | ns |
| | | | | Full | 3 V to 3.6 V | 1.5 | | 11 | 1.5 | | 11 | |
| Turn-off time | t_{OFF} | $V_{COM} = V_+$, $R_L = 50\ \Omega$, | $C_L = 35\text{ pF}$, See Figure 17 | 25°C | 3.3 V | 6.5 | 9 | 12 | 6.5 | 9 | 12 | ns |
| | | | | Full | 3 V to 3.6 V | 4 | | 13 | 4 | | 13 | |
| Charge injection | Q_C | $V_{GEN} = 0$, $R_{GEN} = 0$, | $C_L = 1\text{ nF}$, See Figure 21 | 25°C | 3.3 V | | 1 | | | 1 | pC | |
| NO OFF capacitance | $C_{NO(OFF)}$ | $V_{NO} = V_+$ or GND, Switch OFF, | See Figure 16 | 25°C | 3.3 V | | 19 | | | 19 | pF | |
| COM OFF capacitance | $C_{COM(OFF)}$ | $V_{COM} = V_+$ or GND, Switch OFF, | See Figure 16 | 25°C | 3.3 V | | 18 | | | 18 | pF | |
| NO ON capacitance | $C_{NO(ON)}$ | $V_{NO} = V_+$ or GND, Switch ON, | See Figure 16 | 25°C | 3.3 V | | 36 | | | 36 | pF | |
| COM ON capacitance | $C_{COM(ON)}$ | $V_{COM} = V_+$ or GND, Switch ON, | See Figure 16 | 25°C | 3.3 V | | 36 | | | 36 | pF | |
| Digital input capacitance | C_I | $V_I = V_+$ or GND, | See Figure 16 | 25°C | 3.3 V | | 2 | | | 2 | pF | |
| Bandwidth | BW | $R_L = 50\ \Omega$, Switch ON, | See Figure 18 | 25°C | 3.3 V | | 200 | | | 200 | MHz | |
| OFF isolation | O_{ISO} | $R_L = 50\ \Omega$, $f = 1\text{ MHz}$, | Switch OFF, See Figure 19 | 25°C | 3.3 V | | -64 | | | -64 | dB | |
| Total harmonic distortion | THD | $R_L = 600\ \Omega$, $C_L = 50\text{ pF}$, | $f = 20\text{ Hz to }20\text{ kHz}$, See Figure 21 | 25°C | 3.3 V | | 0.01 | | | 0.01 | % | |
| Supply | | | | | | | | | | | | |
| Positive supply current | I_+ | $V_I = V_+$ or GND, | Switch ON or OFF | 25°C | 3.6 V | 0.01 | 0.1 | | 0.01 | 0.1 | μA | |
| | | | | Full | | | 0.25 | | 0.7 | | | |

7.7 Electrical Characteristics for 2.5-V Supply⁽¹⁾

 $V_+ = 2.3 \text{ V to } 2.7 \text{ V}$, $T_A = -40^\circ\text{C to } 85^\circ\text{C}$ (unless otherwise noted)

| PARAMETER | SYMBOL | TEST CONDITIONS | T _A | V ₊ | 85°C | | | 125°C | | | UNIT |
|--|-------------------|---|------------------------------|----------------|-------|--------------|----------|-----------|------------|------------|-----------|
| | | | | | MIN | TYP | MAX | MIN | TYP | MAX | |
| Analog Switch | | | | | | | | | | | |
| Analog signal range | V_{COM}, V_{NO} | | | 2.3 V | 0 | | V_+ | 0 | | V_+ | V |
| Peak ON resistance | r_{peak} | $0 \leq V_{NO} \leq V_+$, $I_{COM} = -100 \text{ mA}$, | Switch ON, See Figure 13 | 25°C Full | 2.3 V | | 1.8 2.4 | | 1.8 2.4 | | Ω |
| ON-state resistance | r_{on} | $V_{NO} = 2 \text{ V}$, $I_{COM} = -100 \text{ mA}$, | Switch ON, See Figure 13 | 25°C Full | 2.3 V | | 1.2 2.1 | | 1.2 2.1 | | Ω |
| ON-state resistance flatness | $r_{on(Flat)}$ | $0 \leq V_{NO} \leq V_+$, $I_{COM} = -100 \text{ mA}$, $V_{NO} = 2 \text{ V}, 0.8 \text{ V}$, $I_{COM} = -100 \text{ mA}$, | Switch ON, See Figure 13 | 25°C | 2.3 V | | 0.7 | | 0.7 | | Ω |
| | | | | 25°C | | | 0.4 0.6 | | 0.4 0.6 | | |
| | | | | Full | | | 0.6 | | 0.72 | | |
| NO OFF leakage current | $I_{NO(OFF)}$ | $V_{NO} = 1 \text{ V}$, $V_{COM} = 3 \text{ V}$, or $V_{NO} = 3 \text{ V}$, $V_{COM} = 1 \text{ V}$, | Switch OFF, See Figure 14 | 25°C Full | 2.7 V | | -5 0.3 5 | | -64 0.3 64 | | nA |
| | $I_{NO(PWROFF)}$ | $V_{NO} = 0 \text{ to } 3.6 \text{ V}$, $V_{COM} = 3.6 \text{ V to } 0$, | | 25°C Full | | 0 V | | -2 0.05 2 | | -2 0.05 2 | |
| COM OFF leakage current | $I_{COM(OFF)}$ | $V_{COM} = 1 \text{ V}$, $V_{NO} = 3 \text{ V}$, or $V_{COM} = 3 \text{ V}$, $V_{NO} = 1 \text{ V}$, | Switch OFF, See Figure 14 | 25°C Full | 2.7 V | | -5 0.3 5 | | -64 0.3 64 | | nA |
| | $I_{COM(PWROFF)}$ | $V_{COM} = 3.6 \text{ V to } 0$, $V_{NO} = 0 \text{ to } 3.6 \text{ V}$, | | | | 25°C Full | 0 V | | -2 0.05 2 | | -2 0.05 2 |
| NO ON leakage current | $I_{NO(ON)}$ | $V_{NO} = 1 \text{ V}$, $V_{COM} = \text{Open}$, or $V_{NO} = 3 \text{ V}$, $V_{COM} = \text{Open}$, | Switch ON, See Figure 15 | 25°C Full | 2.7 V | | -2 0.3 2 | | -64 0.3 64 | | nA |
| COM ON leakage current | $I_{COM(ON)}$ | $V_{COM} = 1 \text{ V}$, $V_{NO} = \text{Open}$, or $V_{COM} = 3 \text{ V}$, $V_{NO} = \text{Open}$, | Switch ON, See Figure 15 | 25°C Full | | 2.7 V | | -2 0.3 2 | | -64 0.3 64 | |
| | | | | | | | | | | | |
| Digital Control Inputs (IN1, IN2) | | | | | | | | | | | |
| Input logic high | V_{IH} | | | Full | | | 1.8 5.5 | | 1.8 5.5 | | V |
| Input logic low | V_{IL} | | | Full | | | 0 0.6 | | 0 0.6 | | V |
| Input leakage current | I_{IH}, I_{IL} | $V_I = 5.5 \text{ V or } 0$ | | 25°C | 2.7 V | | -2 0.3 2 | | | | nA |
| | | | | Full | | | -20 20 | | -320 320 | | |

(1) The algebraic convention, whereby the most negative value is a minimum and the most positive value is a maximum

Electrical Characteristics for 2.5-V Supply⁽¹⁾ (continued)
 $V_+ = 2.3 \text{ V to } 2.7 \text{ V}$, $T_A = -40^\circ\text{C to } 85^\circ\text{C}$ (unless otherwise noted)

| PARAMETER | SYMBOL | TEST CONDITIONS | T_A | V_+ | 85°C | | | 125°C | | | UNIT | |
|------------------------------|----------------|---|---|-------|-------------------|-------|------|-------|-------|------|---------------|----|
| | | | | | MIN | TYP | MAX | MIN | TYP | MAX | | |
| Dynamic | | | | | | | | | | | | |
| Turn-on time | t_{ON} | $V_{COM} = V_+$, $R_L = 50 \Omega$, | $C_L = 35 \text{ pF}$, See Figure 17 | 25°C | 2.5 V | 2 | 6 | 10 | 2 | 6 | 10 | ns |
| | | | | Full | 2.3 V to 2.7 V | 1 | | 12 | 1 | | 12 | |
| Turn-off time | t_{OFF} | $V_{COM} = V_+$, $R_L = 50 \Omega$, | $C_L = 35 \text{ pF}$, See Figure 17 | 25°C | 2.5 V | 4.5 | 8 | 10.5 | 4.5 | 8 | 10.5 | ns |
| | | | | Full | 2.3 V to 2.7 V | 3 | | 15 | 3 | | 15 | |
| Charge injection | Q_C | $V_{GEN} = 0$, $R_{GEN} = 0$, | $C_L = 1 \text{ nF}$, See Figure 21 | 25°C | 2.5 V | | 4 | | | 4 | pC | |
| NO OFF capacitance | $C_{NO(OFF)}$ | $V_{NO} = V_+$ or GND, Switch OFF, | See Figure 16 | 25°C | 2.5 V | | 19.5 | | | 19.5 | pF | |
| COM OFF capacitance | $C_{COM(OFF)}$ | $V_{COM} = V_+$ or GND, Switch OFF, | See Figure 16 | 25°C | 2.5 V | | 18.5 | | | 18.5 | pF | |
| NO ON capacitance | $C_{NO(ON)}$ | $V_{NO} = V_+$ or GND, Switch ON, | See Figure 16 | 25°C | 2.5 V | | 36.5 | | | 36.5 | pF | |
| COM ON capacitance | $C_{COM(ON)}$ | $V_{COM} = V_+$ or GND, Switch ON, | See Figure 16 | 25°C | 2.5 V | | 36.5 | | | 36.5 | pF | |
| Digital input capacitance | C_I | $V_I = V_+$ or GND, | See Figure 16 | 25°C | 2.5 V | | 2 | | | 2 | pF | |
| Bandwidth | BW | $R_L = 50 \Omega$, Switch ON, | See Figure 18 | 25°C | 2.5 V | | 150 | | | 150 | MHz | |
| OFF isolation | O_{ISO} | $R_L = 50 \Omega$, $f = 1 \text{ MHz}$, | Switch OFF, See Figure 19 | 25°C | 2.5 V | | -62 | | | -62 | dB | |
| Total harmonic distortion | THD | $R_L = 600 \Omega$, $C_L = 50 \text{ pF}$, | $f = 20 \text{ Hz to } 20 \text{ kHz}$, See Figure 21 | 25°C | 2.5 V | | 0.02 | | | 0.02 | % | |
| Supply | | | | | | | | | | | | |
| Positive supply current | I_+ | $V_I = V_+$ or GND, | Switch ON or OFF | 25°C | 2.7 V | 0.001 | 0.02 | | 0.001 | 0.02 | μA | |
| | | | | Full | | | 0.25 | | 0.6 | | | |

7.8 Electrical Characteristics for 1.8-V Supply⁽¹⁾

 $V_+ = 1.65 \text{ V to } 1.95 \text{ V}$, $T_A = -40^\circ\text{C to } 85^\circ\text{C}$ (unless otherwise noted)

| PARAMETER | SYMBOL | TEST CONDITIONS | T_A | V_+ | 85°C | | | 125°C | | | UNIT |
|--|-------------------|--|------------------------------|-------|--------|-----|-------|-------|-----|-------|---------------|
| | | | | | MIN | TYP | MAX | MIN | TYP | MAX | |
| Analog Switch | | | | | | | | | | | |
| Analog signal range | V_{COM}, V_{NO} | | | | 0 | | V_+ | 0 | | V_+ | V |
| Peak ON resistance | r_{peak} | $0 \leq V_{NO} \leq V_+$, $I_{COM} = -100 \text{ mA}$, | Switch ON, See Figure 13 | 25°C | 1.65 V | 4.2 | 25 | 4.2 | 25 | | Ω |
| | | | Full | | | | 30 | | 36 | | |
| ON-state resistance | r_{on} | $V_{NO} = 2 \text{ V}$, $I_{COM} = -100 \text{ mA}$, | Switch ON, See Figure 13 | 25°C | 1.65 V | 1.6 | 3.9 | 1.6 | 3.9 | | Ω |
| | | | Full | | | | 4.0 | | 4.8 | | |
| ON-state resistance flatness | $r_{on(Flat)}$ | $0 \leq V_{NO} \leq V_+$, $I_{COM} = -100 \text{ mA}$, | Switch ON, See Figure 13 | 25°C | 1.65 V | 2.8 | | 2.8 | | | Ω |
| | | $V_{NO} = 2 \text{ V}, 0.8 \text{ V}$, $I_{COM} = -100 \text{ mA}$, | | 25°C | | 4.1 | 22 | 4.1 | 22 | | |
| | | | | Full | | 27 | | 32.4 | | | |
| NO OFF leakage current | $I_{NO(OFF)}$ | $V_{NO} = 1 \text{ V}$, $V_{COM} = 3 \text{ V}$, or $V_{NO} = 3 \text{ V}$, $V_{COM} = 1 \text{ V}$, | Switch OFF, See Figure 14 | 25°C | 1.95 V | -5 | 5 | -58 | 58 | | nA |
| | | | | Full | | -50 | 50 | -320 | 320 | | |
| | $I_{NO(PWROFF)}$ | $V_{NO} = 0 \text{ to } 3.6 \text{ V}$, $V_{COM} = 3.6 \text{ V to } 0$, | | 25°C | 0 V | -2 | 2 | -2 | 2 | | μA |
| | | | | Full | | -10 | 10 | -22 | 22 | | |
| COM OFF leakage current | $I_{COM(OFF)}$ | $V_{COM} = 1 \text{ V}$, $V_{NO} = 3 \text{ V}$, or $V_{COM} = 3 \text{ V}$, $V_{NO} = 1 \text{ V}$, | Switch OFF, See Figure 14 | 25°C | 1.95 V | -5 | 5 | -58 | 58 | | nA |
| | | | | Full | | -50 | 50 | -320 | 320 | | |
| | $I_{COM(PWROFF)}$ | $V_{COM} = 0 \text{ to } 3.6 \text{ V}$, $V_{NO} = 3.6 \text{ V to } 0$, | | 25°C | 0 V | -2 | 2 | -2 | 2 | | μA |
| | | | | Full | | -10 | 10 | -22 | 22 | | |
| NO ON leakage current | $I_{NO(ON)}$ | $V_{NO} = 1 \text{ V}$, $V_{COM} = \text{Open}$, or $V_{NO} = 3 \text{ V}$, $V_{COM} = \text{Open}$, | Switch ON, See Figure 15 | 25°C | 1.95 V | -2 | 2 | -58 | 58 | | nA |
| | | | Full | -20 | | 20 | -320 | 320 | | | |
| COM ON leakage current | $I_{COM(ON)}$ | $V_{COM} = 1 \text{ V}$, $V_{NO} = \text{Open}$, or $V_{COM} = 3 \text{ V}$, $V_{NO} = \text{Open}$, | Switch ON, See Figure 15 | 25°C | 1.95 V | -2 | 2 | -58 | 58 | | nA |
| | | | Full | -20 | | 20 | -320 | 320 | | | |
| Digital Control Inputs (IN1, IN2) | | | | | | | | | | | |
| Input logic high | V_{IH} | | | Full | | 1.5 | 5.5 | 1.5 | 5.5 | | V |
| Input logic low | V_{IL} | | | Full | | 0 | 0.6 | 0 | 0.6 | | V |
| Input leakage current | I_{IH}, I_{IL} | $V_I = 5.5 \text{ V or } 0$ | | 25°C | 1.95 V | -2 | 0.3 | 2 | | | nA |
| | | | | Full | | -20 | 20 | -320 | 320 | | |

(1) The algebraic convention, whereby the most negative value is a minimum and the most positive value is a maximum

Electrical Characteristics for 1.8-V Supply⁽¹⁾ (continued)
 $V_+ = 1.65\text{ V to }1.95\text{ V}$, $T_A = -40^\circ\text{C to }85^\circ\text{C}$ (unless otherwise noted)

| PARAMETER | SYMBOL | TEST CONDITIONS | T_A | V_+ | 85°C | | | 125°C | | | UNIT | |
|------------------------------|----------------|---|--|-------|---------------------|-------|-------|-------|-------|------|---------------|----|
| | | | | | MIN | TYP | MAX | MIN | TYP | MAX | | |
| Dynamic | | | | | | | | | | | | |
| Turn-on time | t_{ON} | $V_{COM} = V_+$, $R_L = 50\ \Omega$, | $C_L = 35\text{ pF}$, See Figure 17 | 25°C | 1.8 V | 3 | 9 | 18 | 3 | 9 | 18 | ns |
| | | | | Full | 1.65 V to 1.95 V | 1 | | 20 | 1 | | 20 | |
| Turn-off time | t_{OFF} | $V_{COM} = V_+$, $R_L = 50\ \Omega$, | $C_L = 35\text{ pF}$, See Figure 17 | 25°C | 1.8 V | 5 | 10 | 15.5 | 5 | 10 | 15.5 | ns |
| | | | | Full | 1.65 V to 1.95 V | 4 | | 18.5 | 4 | | 18.5 | |
| Charge injection | Q_C | $V_{GEN} = 0$, $R_{GEN} = 0$, | $C_L = 1\text{ nF}$, See Figure 21 | 25°C | 1.8 V | | 2 | | 2 | | pC | |
| NO OFF capacitance | $C_{NO(OFF)}$ | $V_{NO} = V_+$ or GND, Switch OFF, | See Figure 16 | 25°C | 1.8 V | | 19.5 | | 19.5 | | pF | |
| COM OFF capacitance | $C_{COM(OFF)}$ | $V_{COM} = V_+$ or GND, Switch OFF, | See Figure 16 | 25°C | 1.8 V | | 18.5 | | 18.5 | | pF | |
| NO ON capacitance | $C_{NO(ON)}$ | $V_{NO} = V_+$ or GND, Switch ON, | See Figure 16 | 25°C | 1.8 V | | 36.5 | | 36.5 | | pF | |
| COM ON capacitance | $C_{COM(ON)}$ | $V_{COM} = V_+$ or GND, Switch ON, | See Figure 16 | 25°C | 1.8 V | | 36.5 | | 36.5 | | pF | |
| Digital input capacitance | C_I | $V_I = V_+$ or GND, | See Figure 16 | 25°C | 1.8 V | | 2 | | 2 | | pF | |
| Bandwidth | BW | $R_L = 50\ \Omega$, Switch ON, | See Figure 18 | 25°C | 1.8 V | | 150 | | 150 | | MHz | |
| OFF isolation | O_{ISO} | $R_L = 50\ \Omega$, $f = 1\text{ MHz}$, | Switch OFF, See Figure 19 | 25°C | 1.8 V | | -62 | | -62 | | dB | |
| Total harmonic distortion | THD | $R_L = 600\ \Omega$, $C_L = 50\text{ pF}$, | $f = 20\text{ Hz to }20\text{ kHz}$ See Figure 21 | 25°C | 1.8 V | | 0.055 | | 0.055 | | % | |
| Supply | | | | | | | | | | | | |
| Positive supply current | I_+ | $V_I = V_+$ or GND, | Switch ON or OFF | 25°C | 1.95 V | 0.001 | 0.01 | | 0.001 | 0.01 | μA | |
| | | | | Full | | | 0.15 | | 0.6 | | | |

7.9 Typical Characteristics

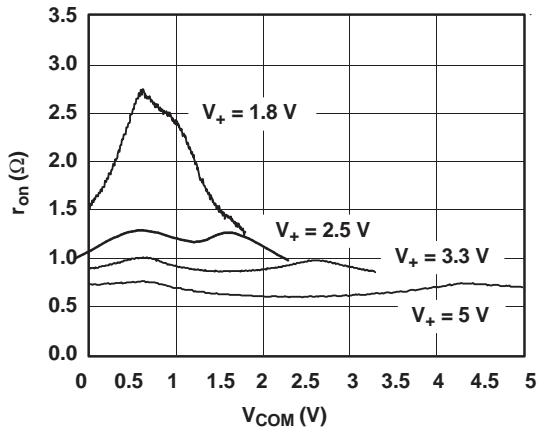


Figure 1. r_{on} vs V_{COM}

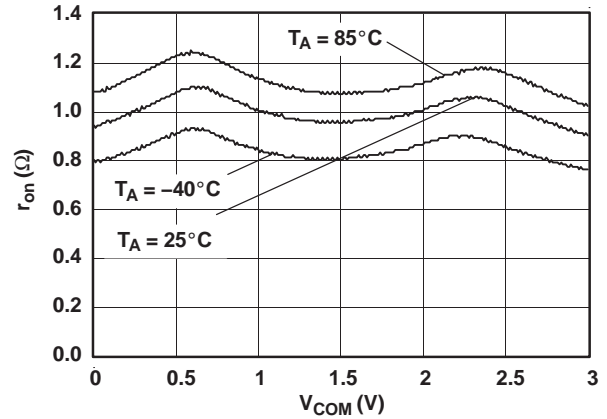


Figure 2. r_{on} vs V_{COM} ($V_+ = 3$ V)

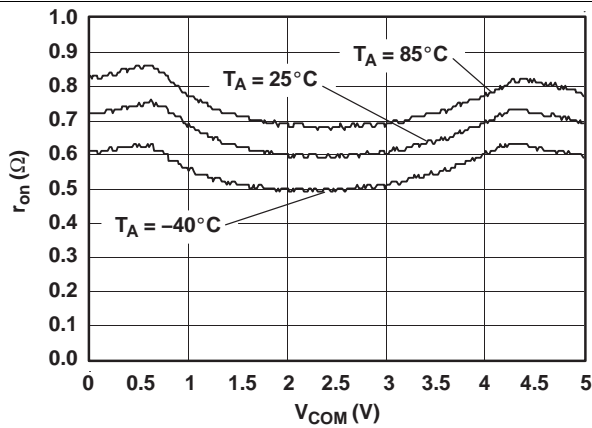


Figure 3. r_{on} vs V_{COM} ($V_+ = 5$ V)

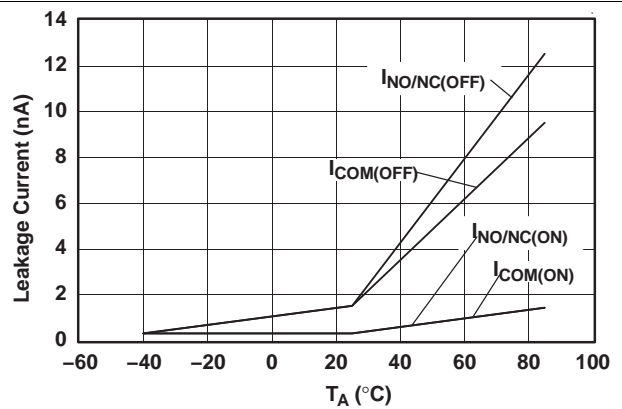


Figure 4. Leakage Current vs Temperature ($V_+ = 5.5$ V)

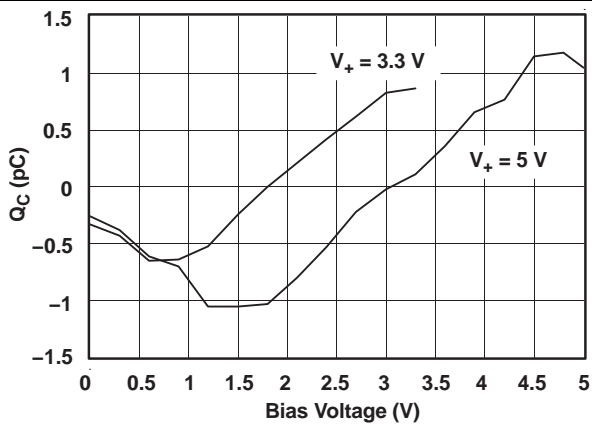


Figure 5. Charge Injection (Q_c) vs V_{COM}

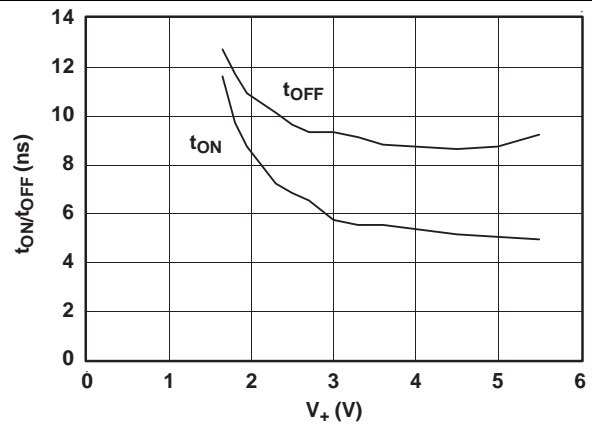
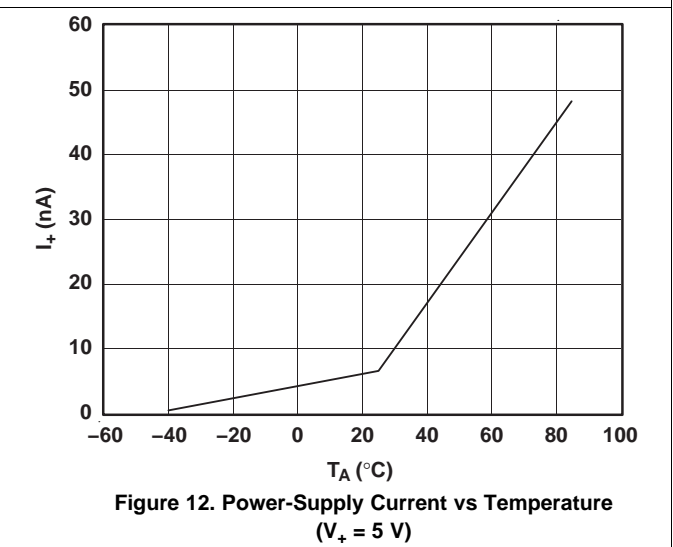
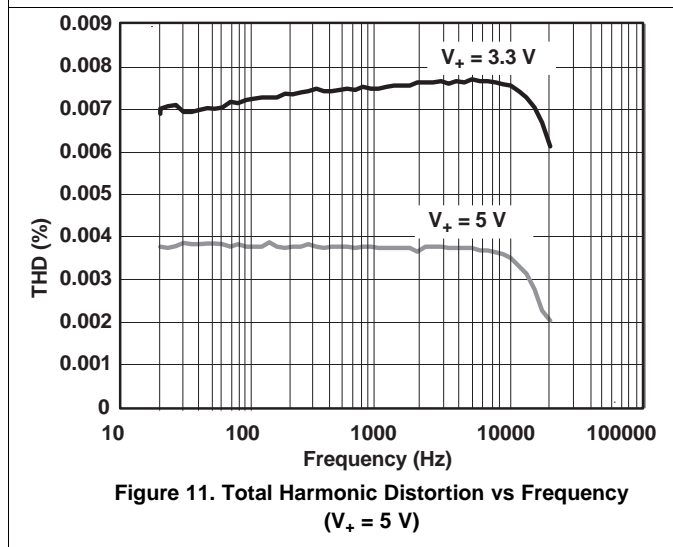
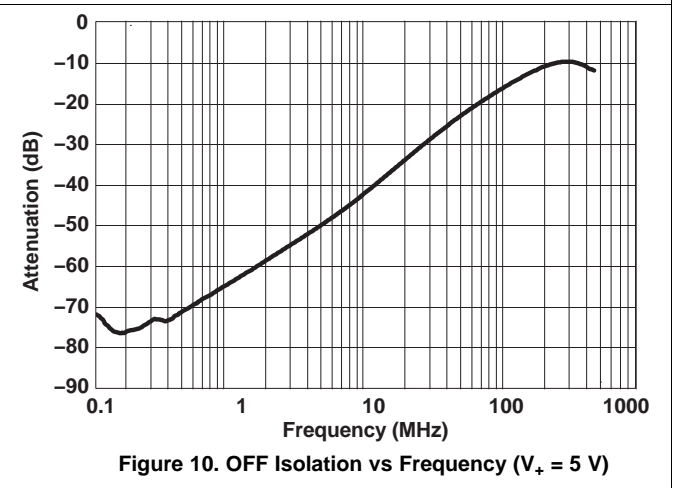
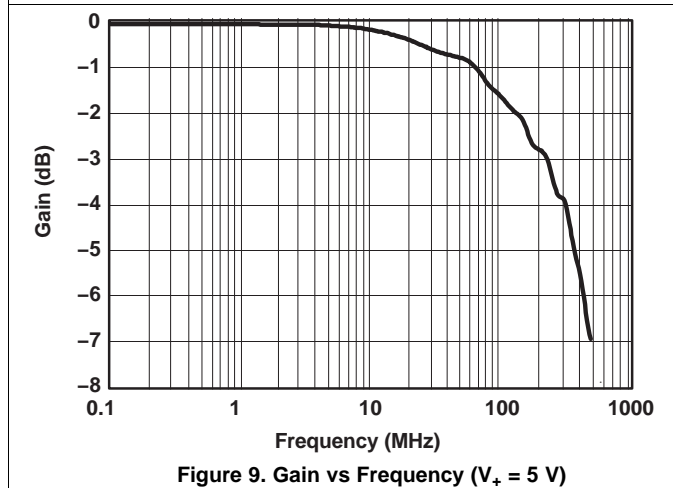
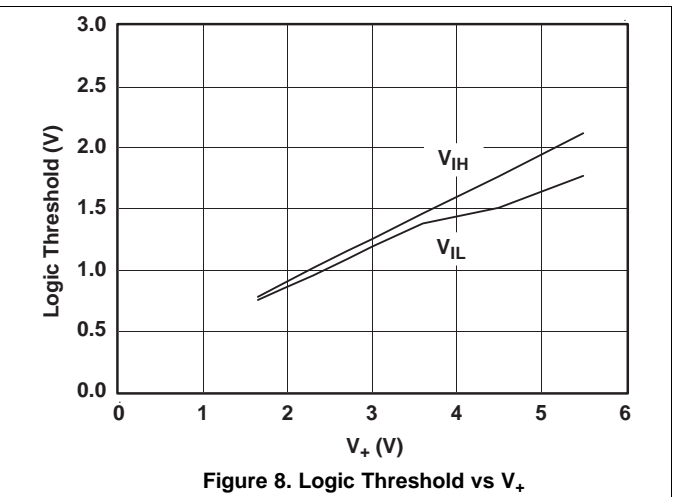
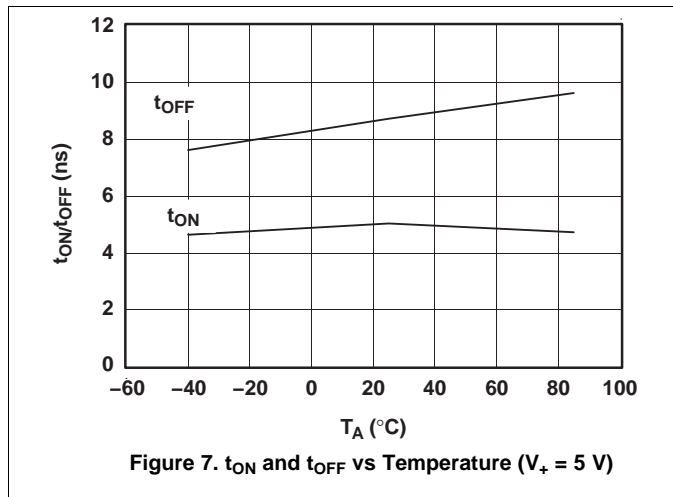


Figure 6. t_{ON} and t_{OFF} vs Supply Voltage

Typical Characteristics (continued)



8 Parameter Measurement Information

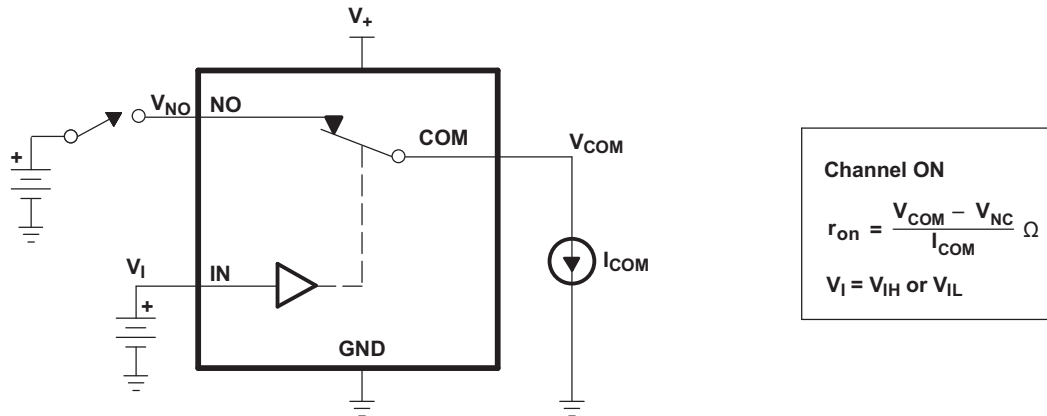


Figure 13. ON-State Resistance (r_{on})

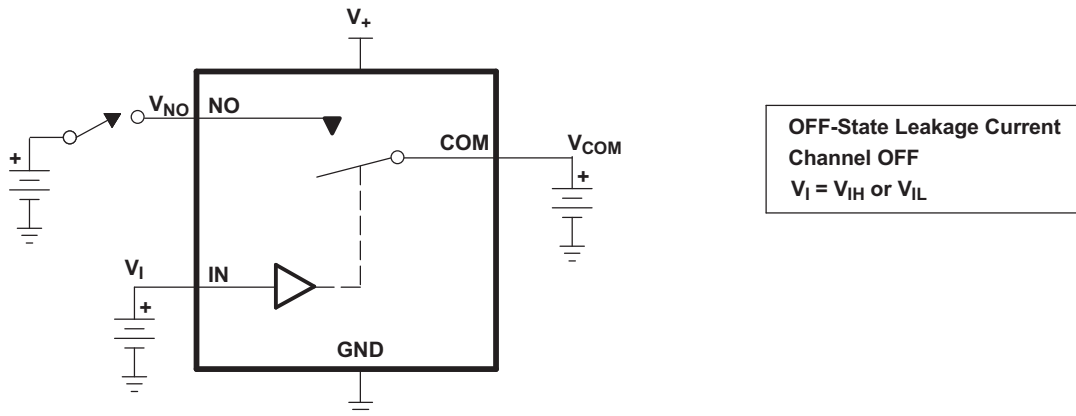


Figure 14. OFF-State Leakage Current ($I_{COM(OFF)}$, $I_{NO(OFF)}$, $I_{COM(PWROFF)}$, $I_{NO(PWRFF)}$)

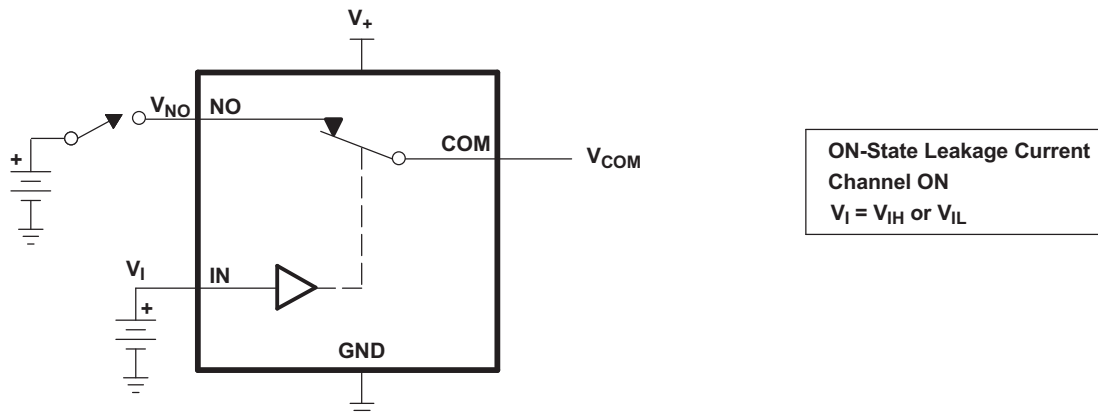


Figure 15. ON-State Leakage Current ($I_{COM(ON)}$, $I_{NO(ON)}$)

Parameter Measurement Information (continued)

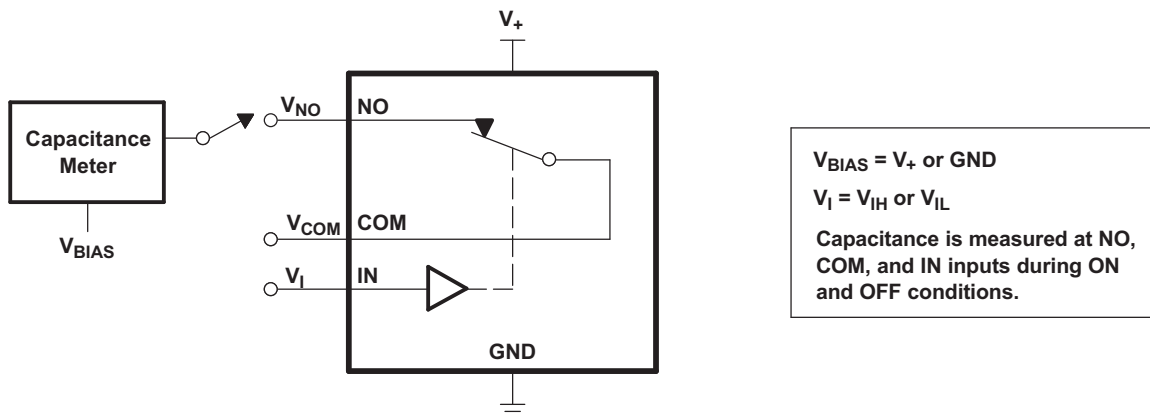
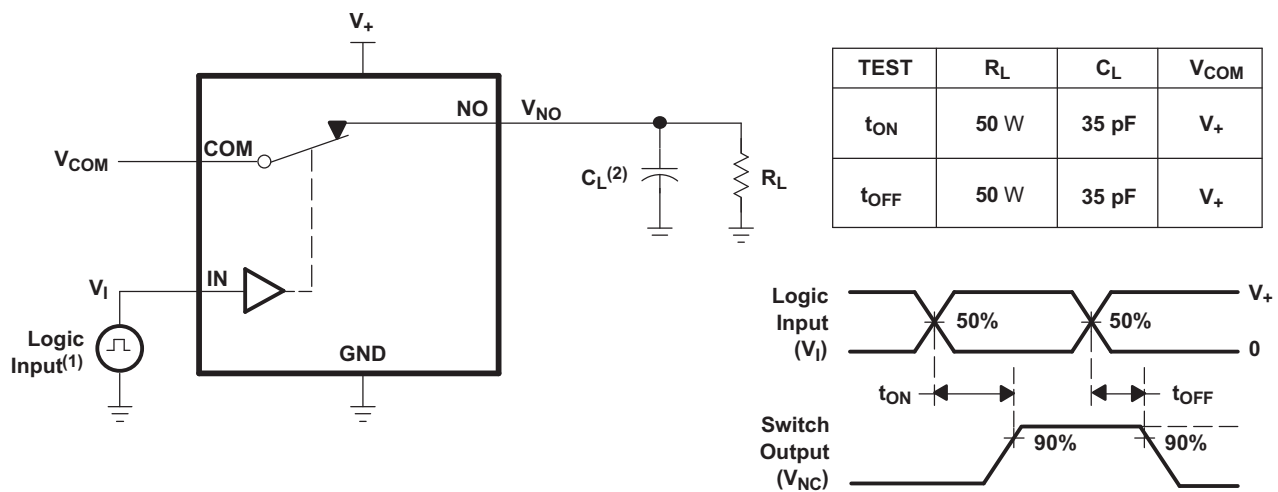


Figure 16. Capacitance (C_I , $C_{COM(OFF)}$, $C_{COM(ON)}$, $C_{NO(OFF)}$, $C_{NO(ON)}$)



- (1) All input pulses are supplied by generators having the following characteristics: PRR \leq 10 MHz, $Z_O = 50 \Omega$, $t_r < 5$ ns, $t_f < 5$ ns.
- (2) C_L includes probe and jig capacitance.

Figure 17. Turn-On (t_{ON}) and Turn-Off Time (t_{OFF})

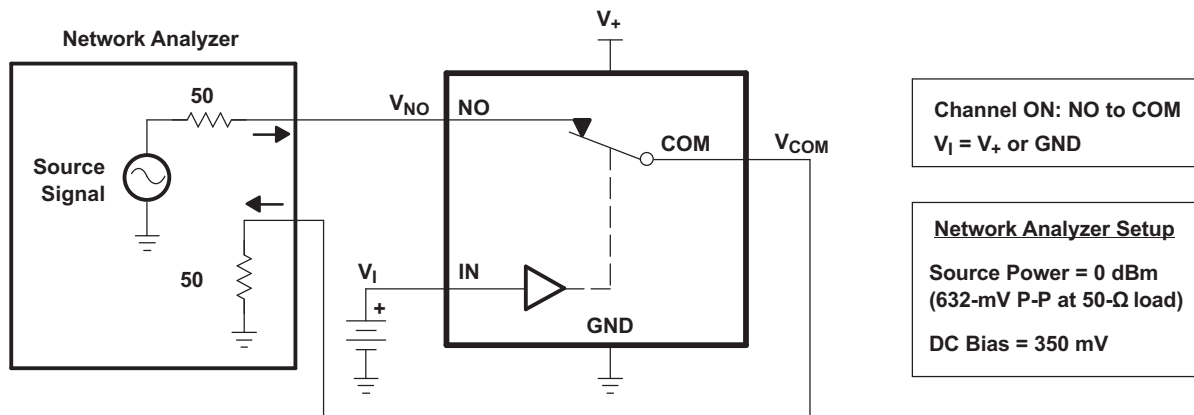


Figure 18. Bandwidth (BW)

Parameter Measurement Information (continued)

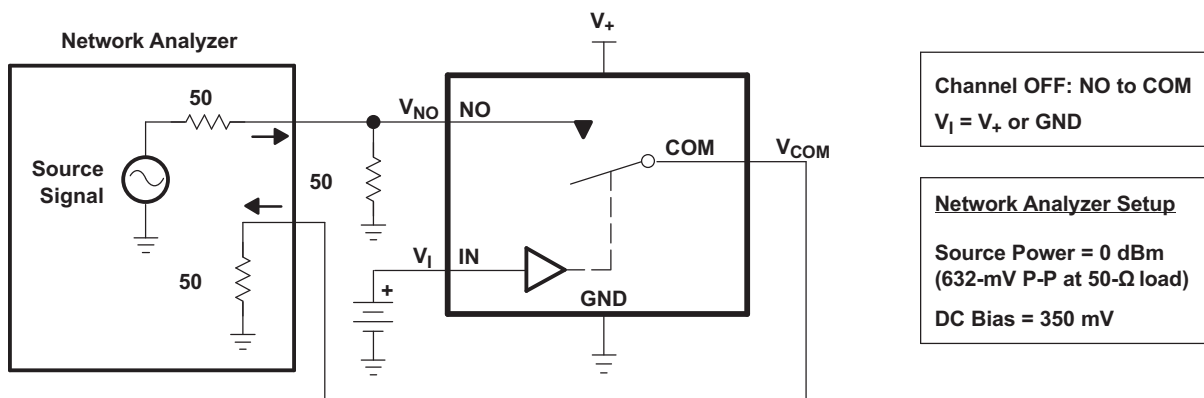
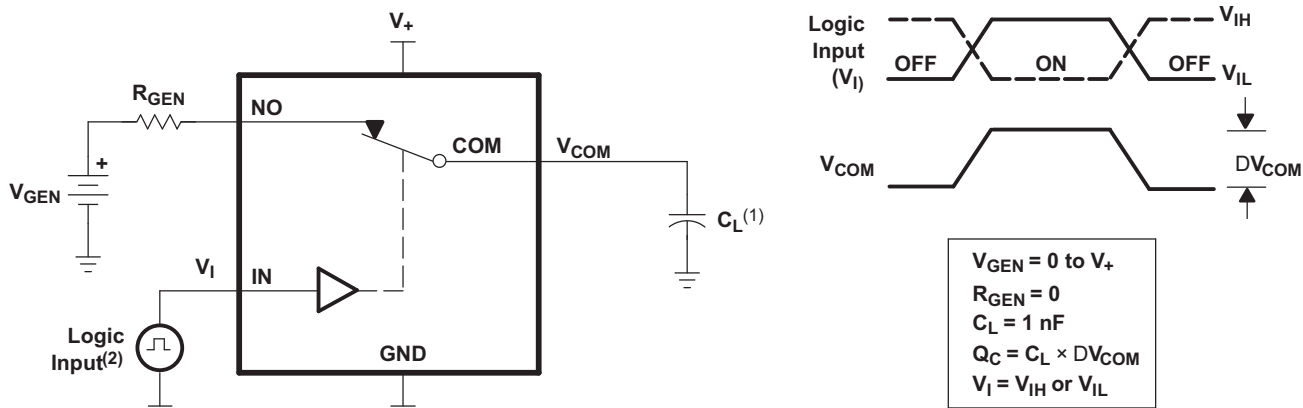
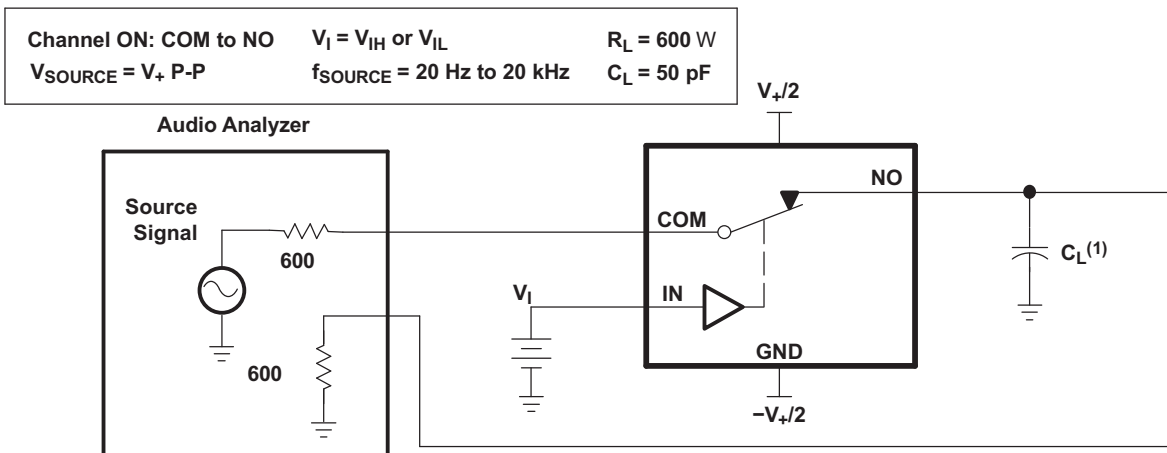


Figure 19. OFF Isolation (O_{ISO})



- (1) C_L includes probe and jig capacitance.
- (2) All input pulses are supplied by generators having the following characteristics: $PRR \leq 10$ MHz, $Z_O = 50 \Omega$, $t_r < 5$ ns, $t_f < 5$ ns.

Figure 20. Charge Injection (Q_C)



- (1) C_L includes probe and jig capacitance.

Figure 21. Total Harmonic Distortion (THD)

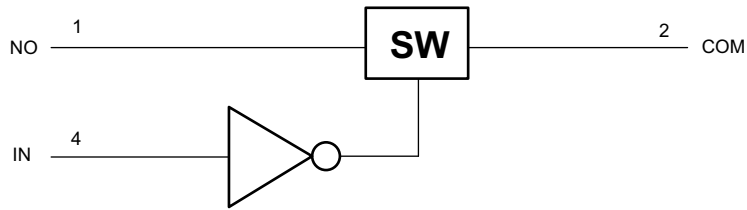
9 Detailed Description

9.1 Overview

Table 1. Parameter Description

| SYMBOL | DESCRIPTION |
|-------------------|---|
| V_{COM} | Voltage at COM |
| V_{NO} | Voltage at NO |
| r_{on} | Resistance between COM and NO ports when the channel is ON |
| r_{peak} | Peak on-state resistance over a specified voltage range |
| $r_{on(Flat)}$ | Difference between the maximum and minimum value of r_{on} in a channel over the specified range of conditions |
| $I_{NO(OFF)}$ | Leakage current measured at the NO port, with the corresponding channel (NO to COM) in the OFF state under worst-case input and output conditions |
| $I_{NO(PWROFF)}$ | Leakage current measured at the NO port during the power-down condition, $V_+ = 0$ |
| $I_{COM(OFF)}$ | Leakage current measured at the COM port, with the corresponding channel (COM to NO) in the OFF state under worst-case input and output conditions |
| $I_{COM(PWROFF)}$ | Leakage current measured at the COM port during the power-down condition, $V_+ = 0$ |
| $I_{NO(ON)}$ | Leakage current measured at the NO port, with the corresponding channel (NO to COM) in the ON state and the output (COM) open |
| $I_{COM(ON)}$ | Leakage current measured at the COM port, with the corresponding channel (COM to NO) in the ON state and the output (NO) open |
| V_{IH} | Minimum input voltage for logic high for the control input (IN) |
| V_{IL} | Maximum input voltage for logic low for the control input (IN) |
| V_I | Voltage at the control input (IN) |
| I_{IH}, I_{IL} | Leakage current measured at the control input (IN) |
| t_{ON} | Turn-on time for the switch. This parameter is measured under the specified range of conditions and by the propagation delay between the digital control (IN) signal and analog output (COM or NO) signal when the switch is turning ON. |
| t_{OFF} | Turn-off time for the switch. This parameter is measured under the specified range of conditions and by the propagation delay between the digital control (IN) signal and analog output (COM or NO) signal when the switch is turning OFF. |
| Q_C | Charge injection is a measurement of unwanted signal coupling from the control (IN) input to the analog (NO or COM) output. This is measured in coulomb (C) and measured by the total charge induced due to switching of the control input. Charge injection, $Q_C = C_L \times \Delta V_{COM}$, C_L is the load capacitance, and ΔV_{COM} is the change in analog output voltage. |
| $C_{NO(OFF)}$ | Capacitance at the NO port when the corresponding channel (NO to COM) is OFF |
| $C_{COM(OFF)}$ | Capacitance at the COM port when the corresponding channel (COM to NO) is OFF |
| $C_{NO(ON)}$ | Capacitance at the NO port when the corresponding channel (NO to COM) is ON |
| $C_{COM(ON)}$ | Capacitance at the COM port when the corresponding channel (COM to NO) is ON |
| C_I | Capacitance of control input (IN) |
| O_{ISO} | OFF isolation of the switch is a measurement of OFF-state switch impedance. This is measured in dB in a specific frequency, with the corresponding channel (NO to COM) in the OFF state. |
| BW | Bandwidth of the switch. This is the frequency in which the gain of an ON channel is –3 dB below the DC gain. |
| THD | Total harmonic distortion describes the signal distortion caused by the analog switch. This is defined as the ratio of root mean square (RMS) value of the second, third, and higher harmonic to the absolute magnitude of the fundamental harmonic. |
| I_+ | Static power-supply current with the control (IN) pin at V_+ or GND |

9.2 Functional Block Diagram



9.3 Feature Description

Table 2. Summary Of Characteristics⁽¹⁾

| Configuration | Single Pole Single Throw (SPST) |
|---|---------------------------------|
| Number of channels | 1 |
| ON-state resistance (r_{on}) | 0.9 Ω |
| ON-state resistance flatness ($r_{on(flat)}$) | 0.15 Ω |
| Turn-on/turn-off time (t_{ON}/t_{OFF}) | 7.5 ns/12.5 ns |
| Charge injection (Q_C) | 1 pC |
| Bandwidth (BW) | 200 MHz |
| OFF isolation (O_{ISO}) | -64 dB at 1 MHz |
| Total harmonic distortion (THD) | 0.005% |
| Leakage current ($I_{COM(OFF)}$) | ± 4 nA |
| Power-supply current (I_+) | 0.5 μ A |
| Package option | 5-pin DSBGA, SOT-23, or SC-70 |

(1) $V_+ = 5$ V, $T_A = 25^\circ\text{C}$

9.4 Device Functional Modes

Table 3. Function Table

| IN | NO TO COM, COM TO NO |
|----|-------------------------|
| L | OFF |
| H | ON |

10 Application and Implementation

NOTE

Information in the following applications sections is not part of the TI component specification, and TI does not warrant its accuracy or completeness. TI's customers are responsible for determining suitability of components for their purposes. Customers should validate and test their design implementation to confirm system functionality.

10.1 Application Information

SPST analog switch is a basic component that could be used in any electrical system design. The following are some basic applications that utilize the TS5A3166, more detailed applications may be found in the [Typical Application](#) section.

1. Gain-control circuit for amplifier
 - (a) Additional details are available in the [Typical Application](#) section.
2. Improve lock time of a PLL by changing the time constant
 - (a) Example Diagram:

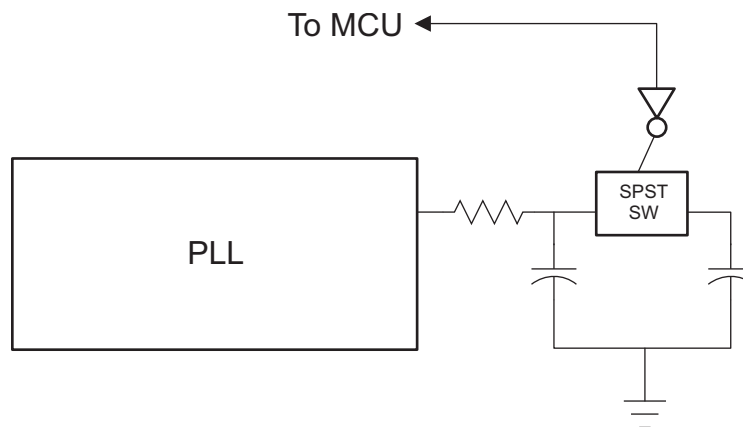


Figure 22. Improved Lock Time Circuit Simplified Block Diagram

1. Improve power consumption for PLL
 - (a) Example Diagram:

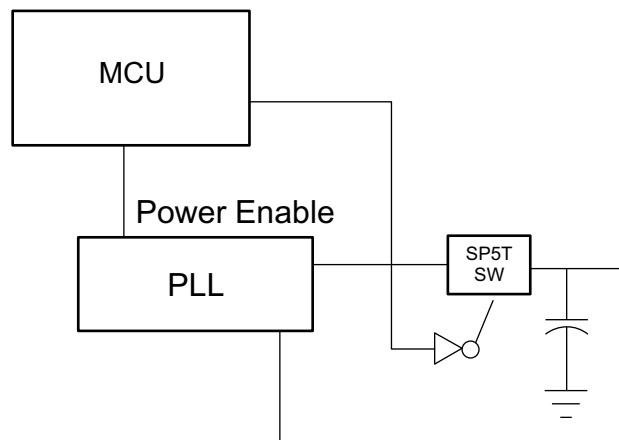


Figure 23. PLL Improved Power Consumption Simplified Block Diagram

10.2 Typical Application

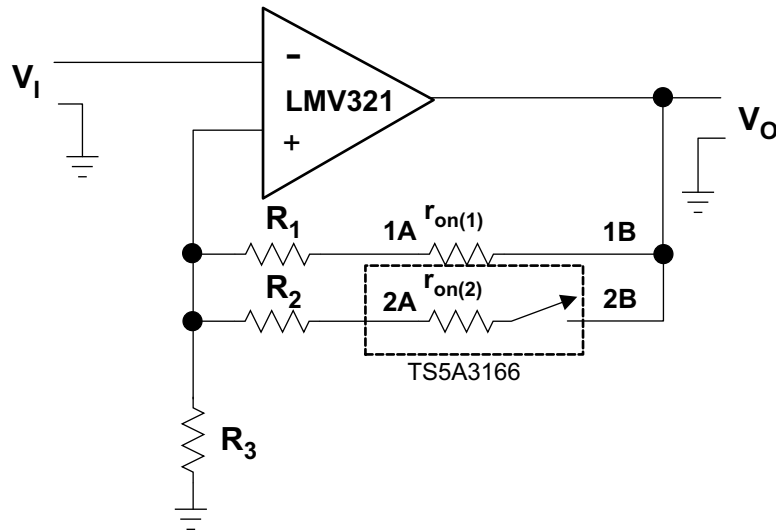


Figure 24. Gain-Control Circuit for OP Amplifier

10.2.1 Design Requirements

Place a switch in series with the input of the op amp. Since the op amp input impedance is very large, a switch on $r_{on(1)}$ is irrelevant.

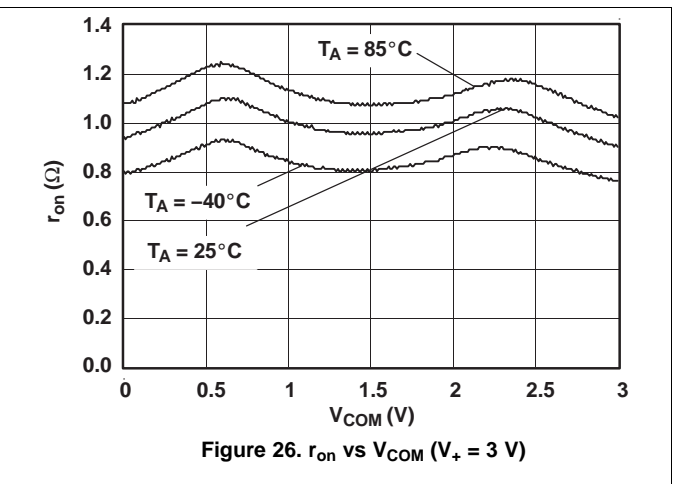
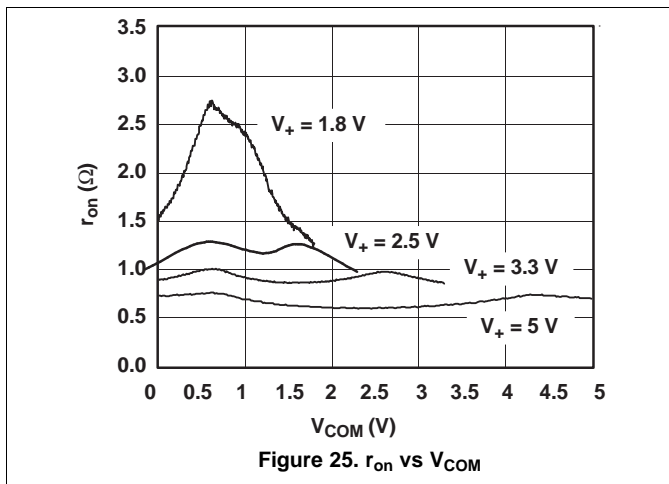
10.2.2 Detailed Design Procedure

By choosing values of R_1 and R_2 , such that $R_x \gg r_{on(x)}$, r_{on} of TS5A3166 can be ignored. The gain of op amp can be calculated as follow:

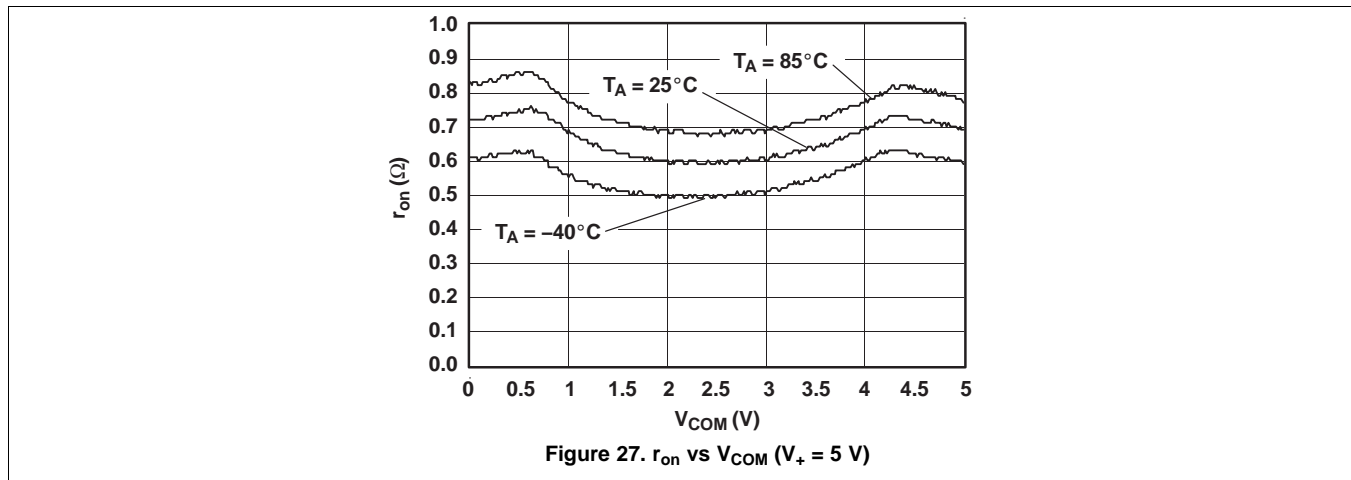
$$V_o / V_i = 1 + R_{||} / R_3 \tag{1}$$

$$R_{||} = (R_1 + r_{on(1)}) || (R_2 + r_{on(2)}) \tag{2}$$

10.2.3 Application Curves



Typical Application (continued)



11 Power Supply Recommendations

The power supply can be any voltage between the minimum and maximum supply voltage rating located in the [Recommended Operating Conditions](#).

Each V_{cc} terminal should have a good bypass capacitor to prevent power disturbance. For devices with a single supply, a 0.1 μF bypass capacitor is recommended. If there are multiple V_{cc} terminals then a 0.01 μF or 0.022 μF capacitor is recommended for each power terminal. It is ok to parallel multiple bypass capacitors to reject different frequencies of noise. 0.1 μF and 1 μF capacitors are commonly used in parallel. The bypass capacitor should be installed as close to the power terminal as possible for best results

12 Layout

12.1 Layout Guidelines

Reflections and matching are closely related to loop antenna theory, but different enough to warrant their own discussion. When a PCB trace turns a corner at a 90° angle, a reflection can occur. This is primarily due to the change of width of the trace. At the apex of the turn, the trace width is increased to 1.414 times its width. This upsets the transmission line characteristics, especially the distributed capacitance and self-inductance of the trace — resulting in the reflection. It is a given that not all PCB traces can be straight, and so they will have to turn corners. Below figure shows progressively better techniques of rounding corners. Only the last example maintains constant trace width and minimizes reflections.

12.2 Layout Example

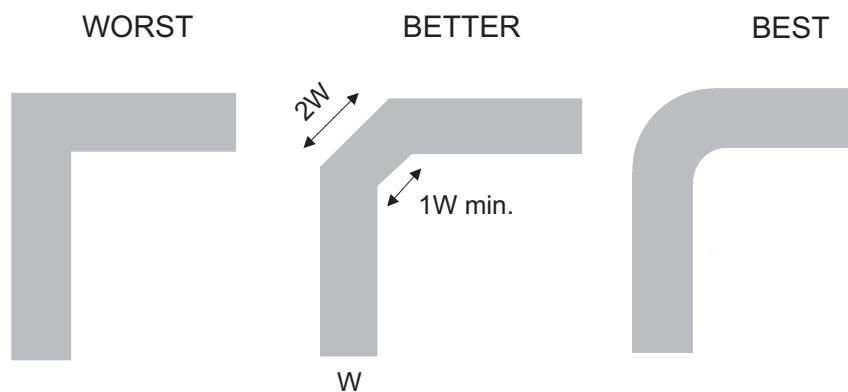


Figure 28. Trace Example

13 Device and Documentation Support

13.1 Trademarks

All trademarks are the property of their respective owners.

13.2 Electrostatic Discharge Caution



These devices have limited built-in ESD protection. The leads should be shorted together or the device placed in conductive foam during storage or handling to prevent electrostatic damage to the MOS gates.

13.3 Glossary

[SLYZ022](#) — *TI Glossary*.

This glossary lists and explains terms, acronyms, and definitions.

14 Mechanical, Packaging, and Orderable Information

The following pages include mechanical, packaging, and orderable information. This information is the most current data available for the designated devices. This data is subject to change without notice and revision of this document. For browser-based versions of this data sheet, refer to the left-hand navigation.

PACKAGING INFORMATION

| Orderable Device | Status (1) | Package Type | Package Drawing | Pins | Package Qty | Eco Plan (2) | Lead finish/ Ball material (6) | MSL Peak Temp (3) | Op Temp (°C) | Device Marking (4/5) | Samples |
|------------------|---------------|--------------|--------------------|------|----------------|-----------------|--------------------------------------|----------------------|--------------|-------------------------|---------|
| TS5A3166QDCKRQ1 | ACTIVE | SC70 | DCK | 5 | 3000 | RoHS & Green | NIPDAU | Level-1-260C-UNLIM | -40 to 125 | SIU | Samples |

(1) The marketing status values are defined as follows:

ACTIVE: Product device recommended for new designs.

LIFEBUY: TI has announced that the device will be discontinued, and a lifetime-buy period is in effect.

NRND: Not recommended for new designs. Device is in production to support existing customers, but TI does not recommend using this part in a new design.

PREVIEW: Device has been announced but is not in production. Samples may or may not be available.

OBSOLETE: TI has discontinued the production of the device.

(2) **RoHS:** TI defines "RoHS" to mean semiconductor products that are compliant with the current EU RoHS requirements for all 10 RoHS substances, including the requirement that RoHS substance do not exceed 0.1% by weight in homogeneous materials. Where designed to be soldered at high temperatures, "RoHS" products are suitable for use in specified lead-free processes. TI may reference these types of products as "Pb-Free".

RoHS Exempt: TI defines "RoHS Exempt" to mean products that contain lead but are compliant with EU RoHS pursuant to a specific EU RoHS exemption.

Green: TI defines "Green" to mean the content of Chlorine (Cl) and Bromine (Br) based flame retardants meet JS709B low halogen requirements of <=1000ppm threshold. Antimony trioxide based flame retardants must also meet the <=1000ppm threshold requirement.

(3) MSL, Peak Temp. - The Moisture Sensitivity Level rating according to the JEDEC industry standard classifications, and peak solder temperature.

(4) There may be additional marking, which relates to the logo, the lot trace code information, or the environmental category on the device.

(5) Multiple Device Markings will be inside parentheses. Only one Device Marking contained in parentheses and separated by a "-" will appear on a device. If a line is indented then it is a continuation of the previous line and the two combined represent the entire Device Marking for that device.

(6) Lead finish/Ball material - Orderable Devices may have multiple material finish options. Finish options are separated by a vertical ruled line. Lead finish/Ball material values may wrap to two lines if the finish value exceeds the maximum column width.

Important Information and Disclaimer:The information provided on this page represents TI's knowledge and belief as of the date that it is provided. TI bases its knowledge and belief on information provided by third parties, and makes no representation or warranty as to the accuracy of such information. Efforts are underway to better integrate information from third parties. TI has taken and continues to take reasonable steps to provide representative and accurate information but may not have conducted destructive testing or chemical analysis on incoming materials and chemicals. TI and TI suppliers consider certain information to be proprietary, and thus CAS numbers and other limited information may not be available for release.

In no event shall TI's liability arising out of such information exceed the total purchase price of the TI part(s) at issue in this document sold by TI to Customer on an annual basis.

OTHER QUALIFIED VERSIONS OF TS5A3166-Q1 :

- Catalog: [TS5A3166](#)

NOTE: Qualified Version Definitions:

- Catalog - TI's standard catalog product

TAPE AND REEL INFORMATION

QUADRANT ASSIGNMENTS FOR PIN 1 ORIENTATION IN TAPE


*All dimensions are nominal

| Device | Package Type | Package Drawing | Pins | SPQ | Reel Diameter (mm) | Reel Width W1 (mm) | A0 (mm) | B0 (mm) | K0 (mm) | P1 (mm) | W (mm) | Pin1 Quadrant |
|-----------------|--------------|-----------------|------|------|--------------------|--------------------|---------|---------|---------|---------|--------|---------------|
| TS5A3166QDCKRQ1 | SC70 | DCK | 5 | 3000 | 178.0 | 9.0 | 2.4 | 2.5 | 1.2 | 4.0 | 8.0 | Q3 |

TAPE AND REEL BOX DIMENSIONS



*All dimensions are nominal

| Device | Package Type | Package Drawing | Pins | SPQ | Length (mm) | Width (mm) | Height (mm) |
|-----------------|--------------|-----------------|------|------|-------------|------------|-------------|
| TS5A3166QDCKRQ1 | SC70 | DCK | 5 | 3000 | 180.0 | 180.0 | 18.0 |

DCK (R-PDSO-G5)

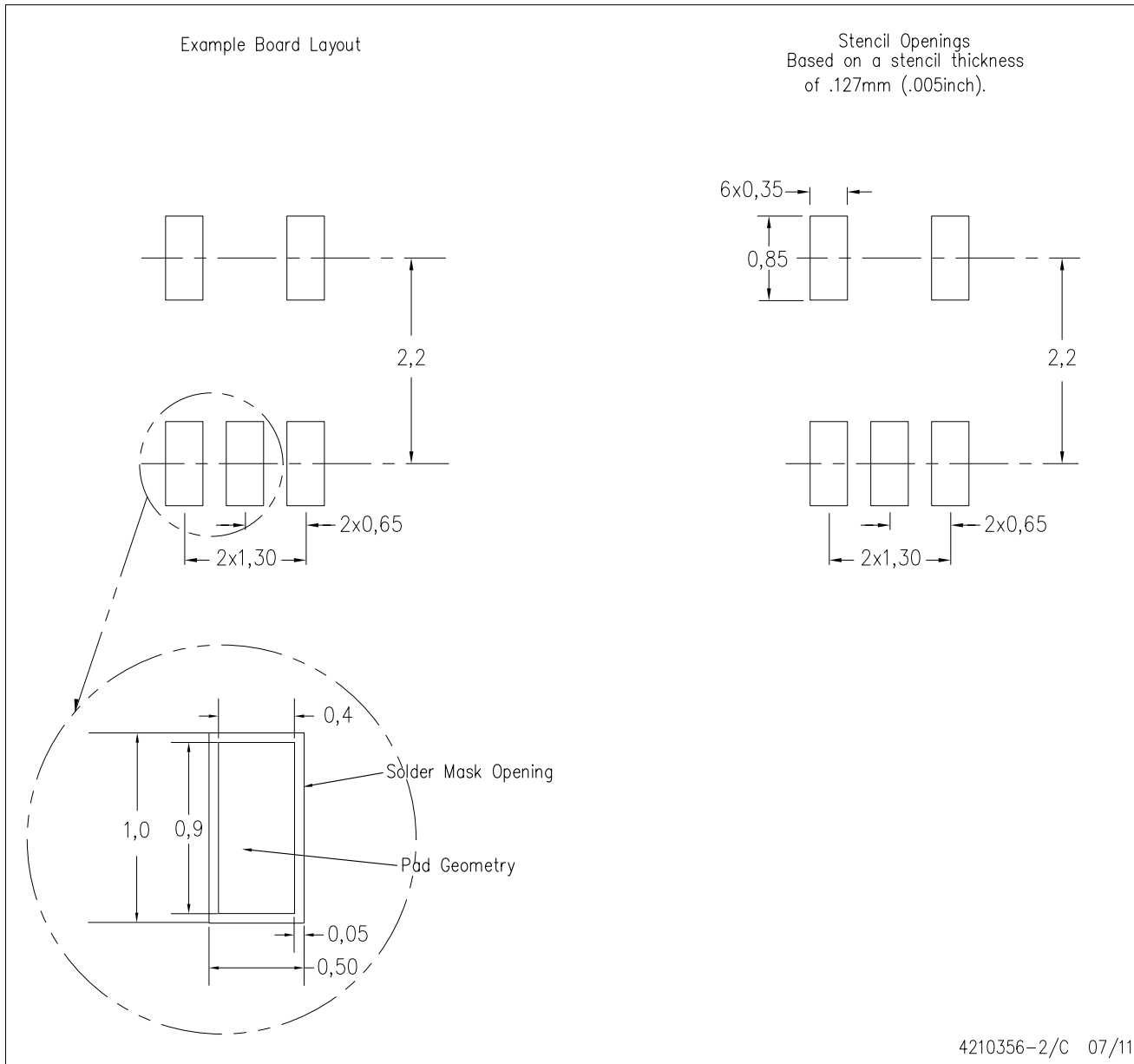
PLASTIC SMALL-OUTLINE PACKAGE



- NOTES:
- A. All linear dimensions are in millimeters.
 - B. This drawing is subject to change without notice.
 - C. Body dimensions do not include mold flash or protrusion. Mold flash and protrusion shall not exceed 0.15 per side.
 - D. Falls within JEDEC MO-203 variation AA.

DCK (R-PDSO-G5)

PLASTIC SMALL OUTLINE



- NOTES:
- All linear dimensions are in millimeters.
 - This drawing is subject to change without notice.
 - Customers should place a note on the circuit board fabrication drawing not to alter the center solder mask defined pad.
 - Publication IPC-7351 is recommended for alternate designs.
 - Laser cutting apertures with trapezoidal walls and also rounding corners will offer better paste release. Customers should contact their board assembly site for stencil design recommendations. Example stencil design based on a 50% volumetric metal load solder paste. Refer to IPC-7525 for other stencil recommendations.

IMPORTANT NOTICE AND DISCLAIMER

TI PROVIDES TECHNICAL AND RELIABILITY DATA (INCLUDING DATASHEETS), DESIGN RESOURCES (INCLUDING REFERENCE DESIGNS), APPLICATION OR OTHER DESIGN ADVICE, WEB TOOLS, SAFETY INFORMATION, AND OTHER RESOURCES "AS IS" AND WITH ALL FAULTS, AND DISCLAIMS ALL WARRANTIES, EXPRESS AND IMPLIED, INCLUDING WITHOUT LIMITATION ANY IMPLIED WARRANTIES OF MERCHANTABILITY, FITNESS FOR A PARTICULAR PURPOSE OR NON-INFRINGEMENT OF THIRD PARTY INTELLECTUAL PROPERTY RIGHTS.

These resources are intended for skilled developers designing with TI products. You are solely responsible for (1) selecting the appropriate TI products for your application, (2) designing, validating and testing your application, and (3) ensuring your application meets applicable standards, and any other safety, security, or other requirements. These resources are subject to change without notice. TI grants you permission to use these resources only for development of an application that uses the TI products described in the resource. Other reproduction and display of these resources is prohibited. No license is granted to any other TI intellectual property right or to any third party intellectual property right. TI disclaims responsibility for, and you will fully indemnify TI and its representatives against, any claims, damages, costs, losses, and liabilities arising out of your use of these resources.

TI's products are provided subject to TI's Terms of Sale (www.ti.com/legal/termsofsale.html) or other applicable terms available either on ti.com or provided in conjunction with such TI products. TI's provision of these resources does not expand or otherwise alter TI's applicable warranties or warranty disclaimers for TI products.

Mailing Address: Texas Instruments, Post Office Box 655303, Dallas, Texas 75265
Copyright © 2020, Texas Instruments Incorporated