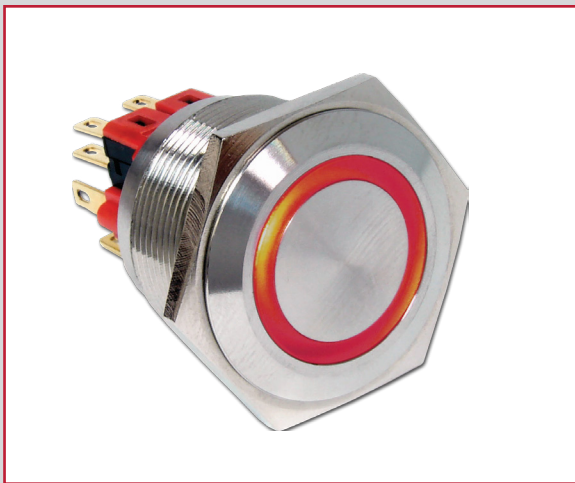


PV8 SERIES ANTI-VANDAL SWITCH

ANTI-VANDAL SWITCHES
DETECTOR SWITCHES
DIP SWITCHES
KEYLOCK SWITCHES
NAVIGATION SWITCHES
PUSHBUTTON SWITCHES
ROCKER SWITCHES
ROTARY SWITCHES
SLIDE SWITCHES
SNAP ACTION SWITCHES
TACTILE SWITCHES
TOGGLE SWITCHES
CAP OPTIONS



APPLICATIONS / MARKETS



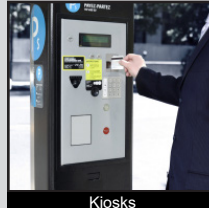
Audio / Visual



Security Devices



Industrial Controls



Kiosks



Electrical Housewares



Medical Equipment

RoHS

SPECIFICATIONS

Electrical Rating: 2A, 48VDC
Electrical Life: 50,000 Cycles
Contact Resistance: 50mΩ Max.
Insulation Resistance: 1000 MΩ Min. @ 500VDC
Dielectric Strength: 2,000VAC
Operating/Storage Temperature: -20°C to 55°C
Travel: 2.80mm
Moisture Protection: IP65
Contact Arrangement: SPDT& DPDT
Actuation Force: 6.5 N
Panel Thickness: 1-10mm for Momentary
 1-12mm for Maintained
Mounting Nut Torque: 5-14Nm

FEATURES & BENEFITS

- 25mm diameter panel cutout
- LED color options
- Dot, ring or power symbol illumination available
- Multiple function options
- IP65 rated
- SPDT & DPDT arrangements
- Soldered wire leads (300mm long) optional

PART NUMBER CONFIGURATOR

Series	Actuator Options	Terminal Options	Function Options	Rating Options	Body Finish Options	Actuator Finish Options	Lens Style Options	LED-Color Options	Illumination Voltage Options	Graphic (Optional)
<input type="checkbox"/> PV8	<input type="checkbox"/> F - Flat	<input type="checkbox"/> 2 - Solder <input type="checkbox"/> W - Wire Leads 300mm long	<input type="checkbox"/> T - 2 Pole 1P Off-On + 1P On-Off <input type="checkbox"/> Y - 2 Pole 1P Off-(On) + 1P On-(Off) <input type="checkbox"/> U - 4 Pole 2P Off-On + 2P On-Off <input type="checkbox"/> V - 4 Pole 2P Off-(On) + 2P On-(Off)	<input type="checkbox"/> 0 - 2A, 48VDC	<input type="checkbox"/> 1 - Black Anodized <input type="checkbox"/> N - Nickel Plated <input type="checkbox"/> S - Stainless Steel	<input type="checkbox"/> 1 - Black Anodized <input type="checkbox"/> N - Nickel Plated <input type="checkbox"/> S - Stainless Steel	<input type="checkbox"/> NONE - Non-Illuminated <input type="checkbox"/> 2 - Dot Illumination <input type="checkbox"/> 3 - Ring Illumination	<input type="checkbox"/> NONE - Non-Illuminated <input type="checkbox"/> 0 - White <input type="checkbox"/> 1 - Red <input type="checkbox"/> 2 - Orange <input type="checkbox"/> 3 - Green <input type="checkbox"/> 4 - Blue <input type="checkbox"/> 5 - Yellow	<input type="checkbox"/> NONE - Non-Illuminated <input type="checkbox"/> 1 - Base Voltage <input type="checkbox"/> 3 - 6V <input type="checkbox"/> 4 - 12V <input type="checkbox"/> 5 - 24V <input type="checkbox"/> 6 - 125V <input type="checkbox"/> 7 - 250V	<input type="checkbox"/> M11 - Power symbol laser etched <input type="checkbox"/> M14 - Power symbol / Ring Illumination

NOTES:
 *() denotes function is momentary

Specifications subject to change without notice 5.2.2019



E-SWITCH®

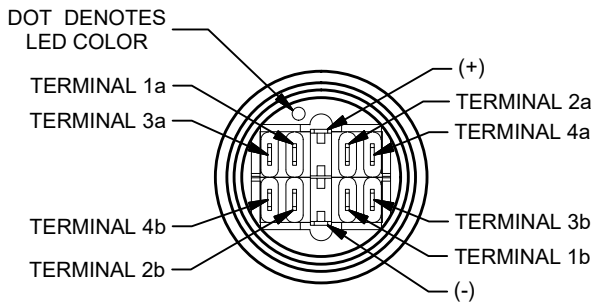
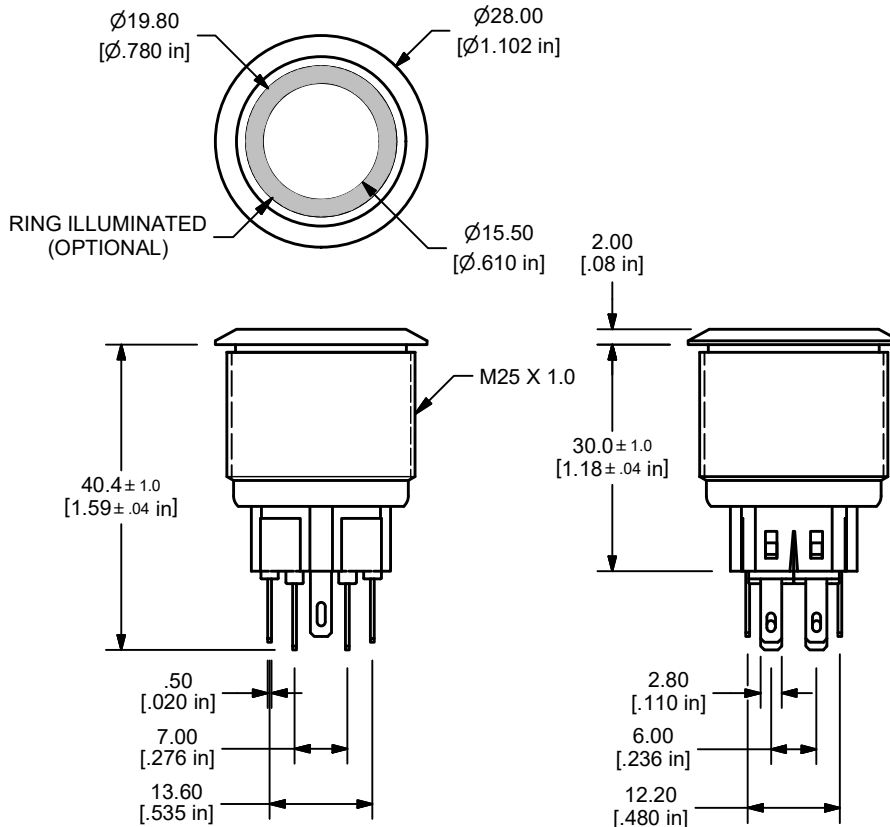
www.e-switch.com

800.867.2717

1

PV8 SERIES ANTI-VANDAL SWITCH

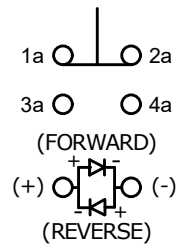
STANDARD LED FUNCTIONS T & U



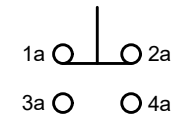
SPDT - FUNCTION T
TERMINALS 1a - 4a

DPDT - FUNCTION U
TERMINALS 1a - 4a AND
1b - 4b (AS SHOWN)

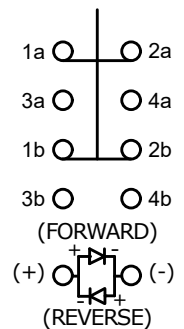
TERMINALS (-) AND (+)
USED WITH ILLUMINATED
OPTION ONLY



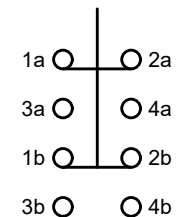
SPDT LED SCHEMATIC



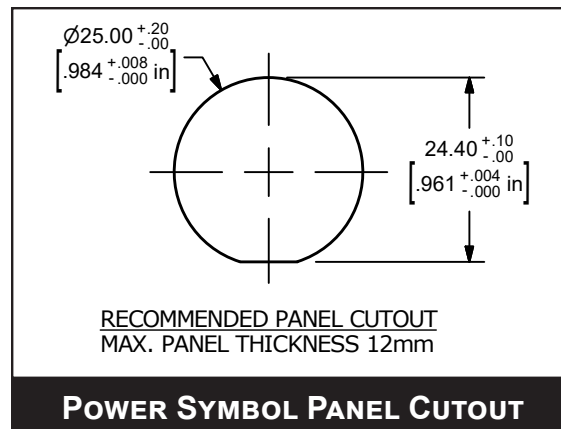
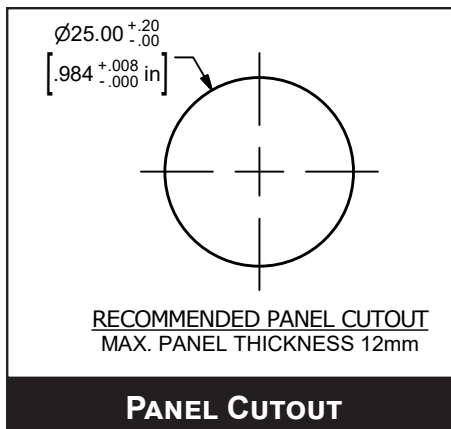
SPDT Non ILL SCHEMATIC



DPDT LED SCHEMATIC



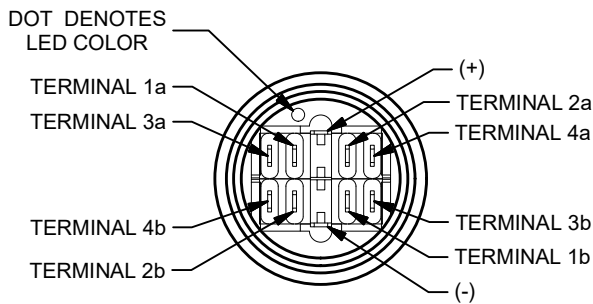
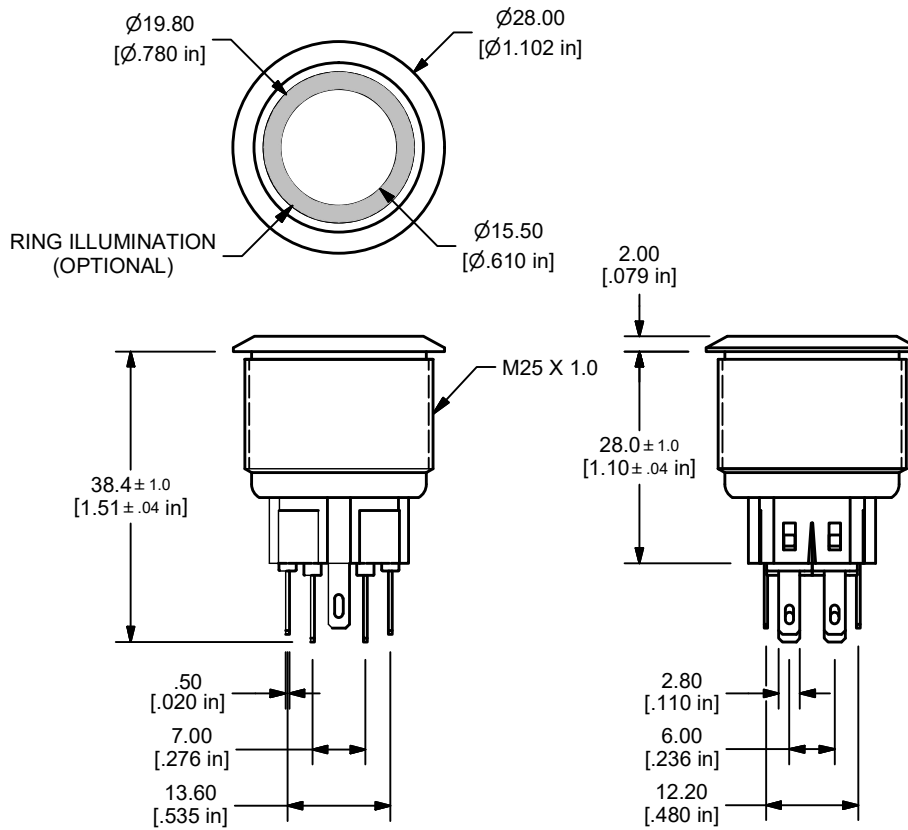
DPDT Non ILL SCHEMATIC



ANTI-VANDAL SWITCHES
DETECTOR SWITCHES
DIP SWITCHES
KEYLOCK SWITCHES
NAVIGATION SWITCHES
PUSHBUTTON SWITCHES
ROCKER SWITCHES
ROTARY SWITCHES
SLIDE SWITCHES
SNAP ACTION SWITCHES
TACTILE SWITCHES
TOGGLE SWITCHES
CAP OPTIONS

PV8 SERIES ANTI-VANDAL SWITCH

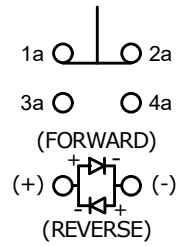
STANDARD LED FUNCTIONS Y & V



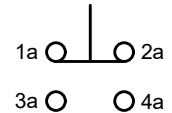
SPDT - FUNCTION Y
TERMINALS 1a - 4a

DPDT - FUNCTION V
TERMINALS 1a - 4a AND
1b - 4b (AS SHOWN)

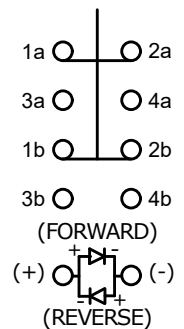
TERMINALS (-) AND (+)
USED WITH ILLUMINATED
OPTION ONLY



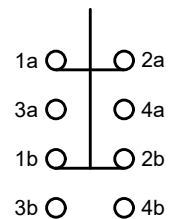
SPDT LED SCHEMATIC



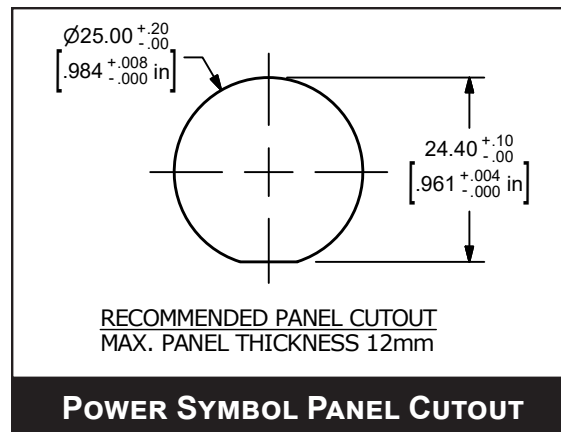
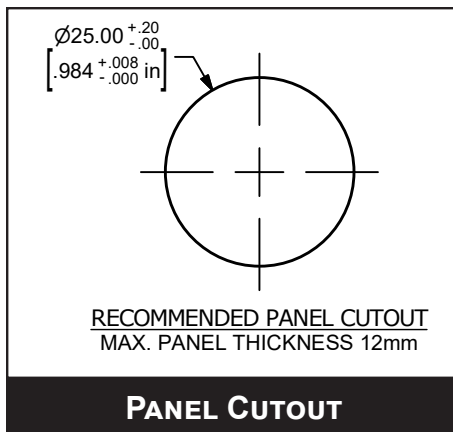
SPDT Non ILL SCHEMATIC



DPDT LED SCHEMATIC

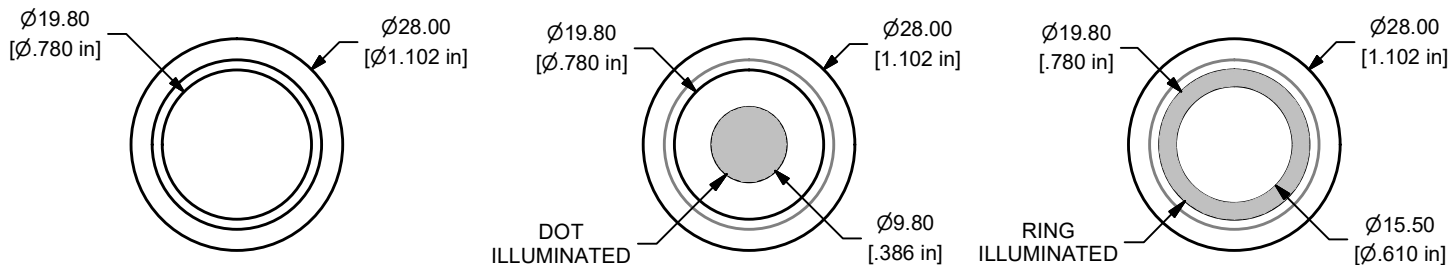


DPDT Non ILL SCHEMATIC



PV8 SERIES ANTI-VANDAL SWITCH

ACTUATOR OPTIONS

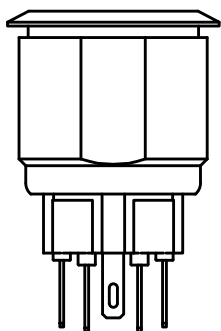
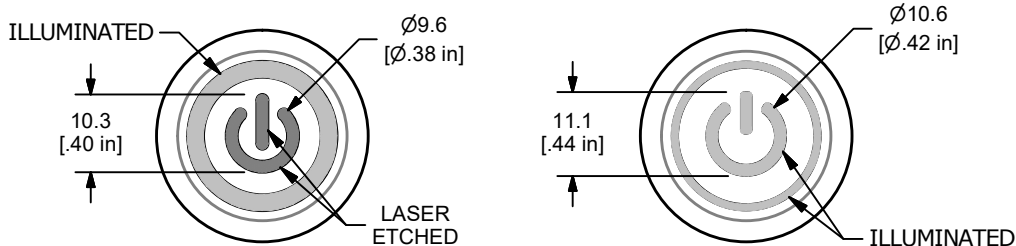


FLAT NON-ILLUMINATED

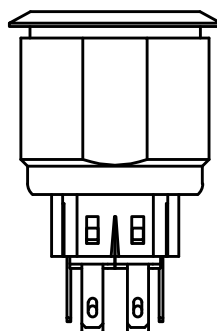
FLAT DOT ILLUMINATED

FLAT RING ILLUMINATED

GRAPHIC OPTIONS



M11



M14



PV8 SERIES ANTI-VANDAL SWITCH

STANDARD LED WIRE LEAD

SWITCH	WIRE	LENGTH
SW1-1a	WIRE, 24AWG AWM UL1015, WHITE	300.0 [11.8 in]
SW1-2a	WIRE, 24AWG AWM UL1015, WHITE	300.0 [11.8 in]
SW1-3a	WIRE, 24AWG AWM UL1015, BLUE	300.0 [11.8 in]
SW1-4a	WIRE, 24AWG AWM UL1015, BLUE	300.0 [11.8 in]
SW1-1b	WIRE, 24AWG AWM UL1015, WHITE	300.0 [11.8 in]
SW1-2b	WIRE, 24AWG AWM UL1015, WHITE	300.0 [11.8 in]
SW1-3b	WIRE, 24AWG AWM UL1015, BLUE	300.0 [11.8 in]
SW1-4b	WIRE, 24AWG AWM UL1015, BLUE	300.0 [11.8 in]
SW1- (+)	WIRE, 24AWG AWM UL1015, RED	300.0 [11.8 in]
SW1- (-)	WIRE, 24AWG AWM UL1015, BLACK	300.0 [11.8 in]

** WIRE LEADS PROVIDED ARE DEPENDANT ON THE FUNCTION AND/OR ILLUMINATION SELECTED **

