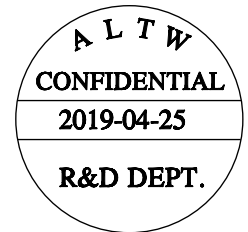
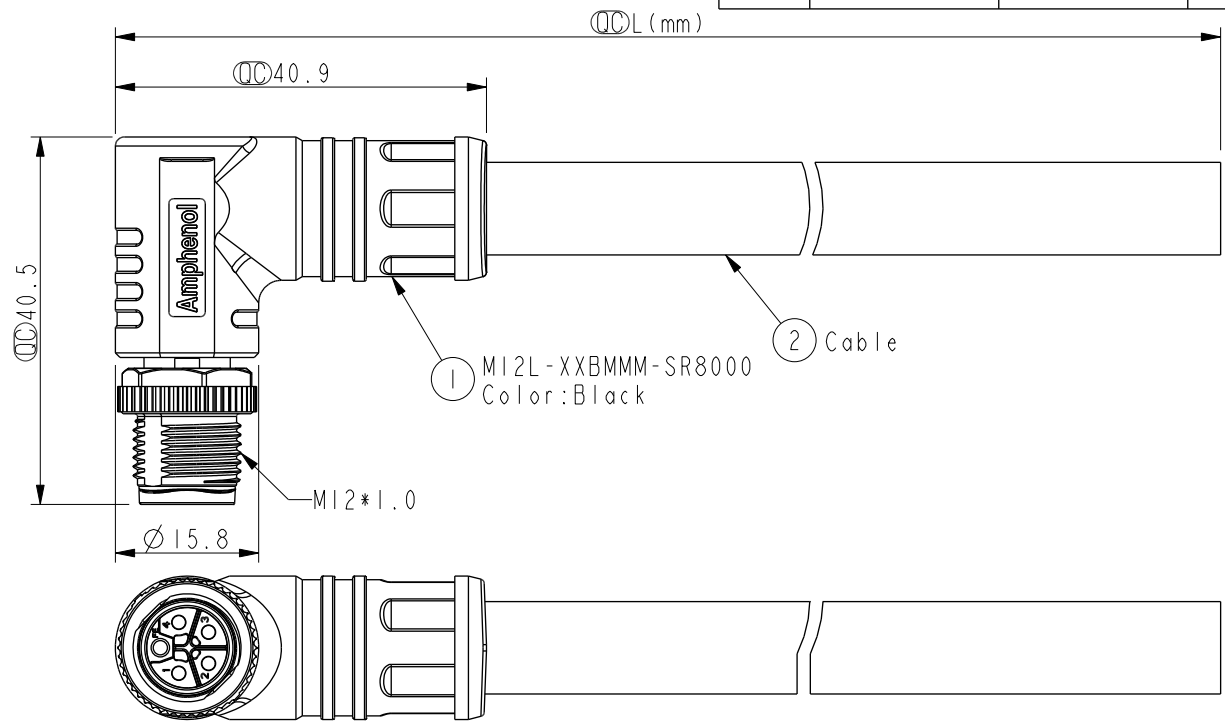


THIS DOCUMENT IS SUBJECT TO CHANGE WITHOUT NOTICE. IT IS CONFIDENTIAL AND A PROPERTY OF Amphenol LTW. DISCLOSURE TO THIRD PARTY HAS TO BE AUTHORIZED BY Amphenol LTW.

REV.	ECN NO.	DATE	SIGN	DESCRIPTION
A		2019-04-25	Allen Pan	05版轉A



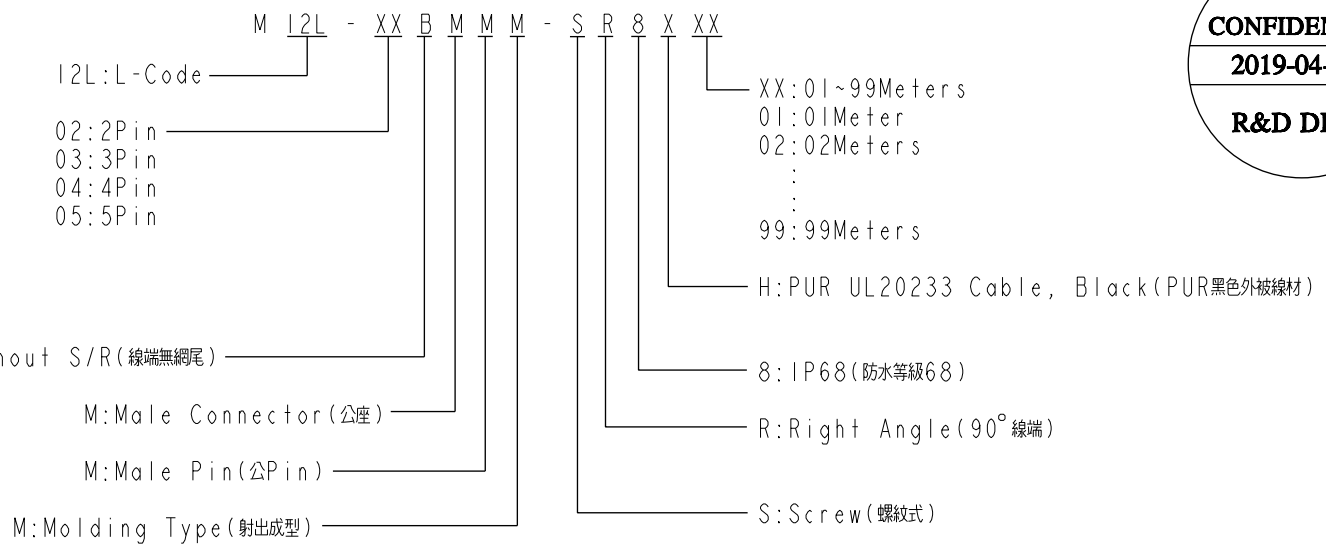
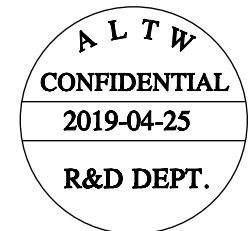
4 - -	4 - -	4 Gray 黑	4 - -	4 - -	4 Gray 黑
3 Blue 藍	3 Blue 藍	3 Blue 藍	3 Blue 藍	3 Blue 藍	3 Blue 藍
2 Black 白	2 Black 白	2 Black 白	2 Black 白	2 Black 白	2 Black 白
1 - -	1 White 棕	1 White 棕	1 - -	1 White 棕	1 White 棕
FE - -	FE - -	FE - -	FE Brown 灰	FE Brown 灰	FE Brown 灰
Pin # Wire	Pin # Wire	Pin # Wire	Pin # Wire	Pin # Wire	Pin # Wire
2P	3P	4P	2+FE	3+FE	4+FE

Pin Assignments Front View

- Notes:
- * Important Dimension to Check.
 - * Waterproof Rate: IP68(1M, 24Hour).
 - * Housing: Thermoplastic, Black.
 - * Pin: Copper Alloy, Gold Plated.
 - * Nut: Zinc Alloy, Nickel Plated.
 - * Outer Mold: Thermoplastic, Black.
 - * Inner Mold: Thermoplastic, Black.
 - * Cable: UL20233, 14AWG, PUR Jacket, Black
 - * Rated Voltage: 63V DC.
 - * Rated Current: 16A
 - * Operating Temperature: -25~80°C
 - * Cable Length Tolerance: 01M:±40mm
02M~05M:±60mm
06M~10M:±100mm
11M~30M:±200mm
31M~99M:±500mm

UNIT:mm TOLERANCE ±0.5mm		TITLE	<h1>Amphenol LTW</h1> <p>安費諾亮泰企業股份有限公司</p>	ITEM NO	DRAWN BY	DATE
		M12 L-CODE, R/A TYPE, MALE CONN + CABLE		M12L-XXBMMM-SR8XXX	Allen Pan	2019-04-25
		SCALE 6:5		SIZE A4	SHEET 1 OF 2	DWG NO M12L-XXBMMM-SR8XXX
REV. A	WC-REV. A.7	◎◎: Inspection item	CUSTOMER	ALTW	APPROVED BY Fred Lee	DATE 2019-04-25

THIS DOCUMENT IS SUBJECT TO CHANGE WITHOUT NOTICE. IT IS CONFIDENTIAL AND A PROPERTY OF Amphenol LTW. DISCLOSURE TO THIRD PARTY HAS TO BE AUTHORIZED BY Amphenol LTW.



UNIT: mm	
TOLERANCE	
±0.5mm	

TITLE MI2 L-CODE, R/A TYPE, MALE CONN + CABLE			
SCALE 6:5	SIZE A4	SHEET 2 OF 2	
REV. A	WC-REV. A.7	QC: Inspection item	

Amphenol LTW
安費諾亮泰企業股份有限公司

ITEM NO MI2L-XXBMMM-SR8XXX	DRAWN BY Allen Pan	DATE 2019-04-25
DWG NO MI2L-XXBMMM-SR8XXX	CHECKED BY Fred Lee	DATE 2019-04-25
CUSTOMER ALTW	APPROVED BY Fred Lee	DATE 2019-04-25