

# Lighting Controls

DATE: \_\_\_\_\_ LOCATION: \_\_\_\_\_

TYPE: \_\_\_\_\_ PROJECT: \_\_\_\_\_

CATALOG #: \_\_\_\_\_

## LIGHTHAWK® ULTRASONIC WALL SWITCH SENSOR

WALL SWITCH OCCUPANCY SENSORS

### FEATURES

- Digital Ultrasonic (US) sensor
- IntelliDAPT® self-adaptive technology; no manual adjustment required
- Single relay modes for on/off switching
- Occupancy (auto-ON) and Vacancy (manual-ON) operating modes
- 400 square-foot, 180° coverage area
- 120/277VAC and 24VDC models
- Zero Arc Point Switching



### SPECIFICATIONS

#### CONSTRUCTION

- Casing - high - impact injection - molded plastic (UL-94-5V Impact-resistance lens)
- Color-coded leads are 6" (152.4mm) long
- Wrap around galvanized steel mounting strap
- 2.9 oz. (82.21g)
- White; Ivory; Light Almond; Gray; Black

#### MOUNTING

- Single-gang NEMA-style switch box (standard switch box)
- Decorator-style wall plate sold separately

#### ELECTRICAL

- 40kHz output
- Natural light override range: 10-500 foot-candles
- 120/277VAC;50/60Hz

#### ELECTRICAL (CONTINUED)

- 24VDC (requires power pack - sold separately)
- 120VAC: 800W Incandescent/ Electronic Ballast/ LED Driver, 1,000W Magentic Ballast; 1/8 HP Motor
- 277VAC: 1,800W Magnetic Ballast/ Electronic Ballast/ LED Driver; 1/8 HP Motor

#### OPERATIONS

- IntelliDAPT
  - Self-adjusting Ultrasonic (US) and passive infrared (PIR) sensitivity
  - Automatic false-ON/ false-OFF corrections
  - No manual adjustments required
- Coverage
  - 400 square-foot, 180° coverage area

#### OPERATIONS (CONTINUED)

- Timer Settings
  - Auto mode: 4-30 minutes; self-adjusts based on occupancy
  - Fixed mode: 4, 8, 15, and 30 minutes
  - Test mode: 5 seconds

#### OPERATING ENVIRONMENT

- Indoor use only
- Operating temperature: 32° to 104°F (0° to 40°C)
- Relative humidity (non-condensing): 0% to 95%

#### CERTIFICATIONS

- UL and cUL listed

#### WARRANTY

- 5 year warranty

### ORDERING GUIDE

**Example:** LHRUSS0-24V-WH

CATALOG #

Series	Buttons	Wiring	Color	Mode	
LHRUSS	LightHAWK Ultrasonic Single Relay	<b>0</b> 0 <b>1</b> 1	<b>G</b> Ground (120/277V) <b>N</b> Neutral (120/277V) <b>24V</b> Low Voltage <sup>2</sup>	<b>WH</b> White <b>LA</b> Light Almond <sup>1</sup>	<b>Blank</b> Switchable Vacancy or Occupancy Mode

Notes:

- 1 Light Almond (LA) only available for 0 button ground version
- 2 Low voltage sensors require a power pack that is sold separately

# Lighting Controls

DATE: \_\_\_\_\_ LOCATION: \_\_\_\_\_

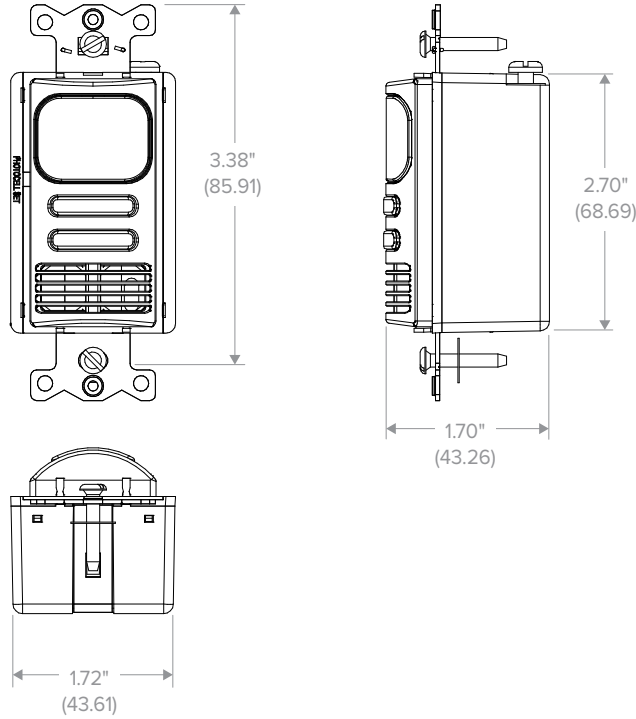
TYPE: \_\_\_\_\_ PROJECT: \_\_\_\_\_

CATALOG #: \_\_\_\_\_

## LIGHTHAWK® ULTRASONIC WALL SWITCH SENSOR

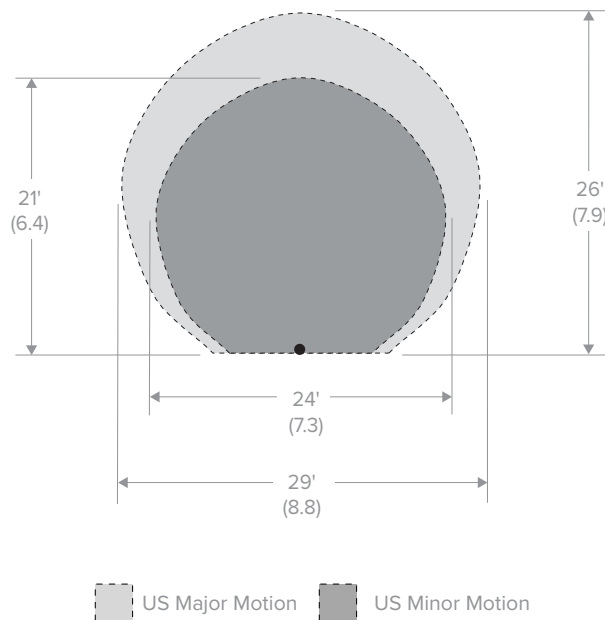
WALL SWITCH OCCUPANCY SENSORS

### DIMENSIONS



### ADDITIONAL INFORMATION

#### Coverage Pattern



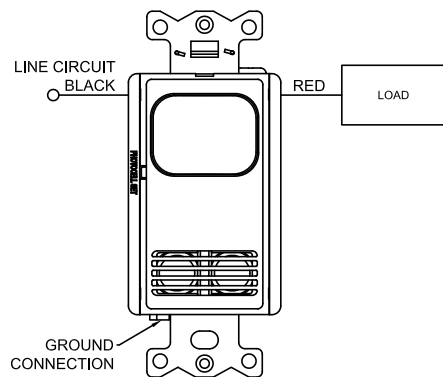
# Lighting Controls

## LIGHTHAWK® ULTRASONIC WALL SWITCH SENSOR

WALL SWITCH OCCUPANCY SENSORS

### ADDITIONAL INFORMATION (CONTINUED)

#### Wiring Diagrams



**SINGLE LOAD WIRING**