

PRODUCT CHANGE NOTIFICATION

Date: February 28th, 2020
PCN: PCN LEDIL 158

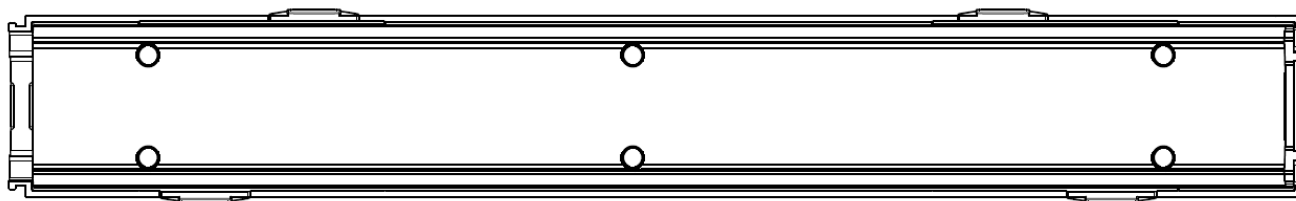
Subject: PCN 158 - Change of design in LINNEA product family

Description: As part of our continuous improvement process regarding the quality of our products, LEDiL has decided to change pin design in LINNEA product family. This is due to make pin parts inside the lens more durable.

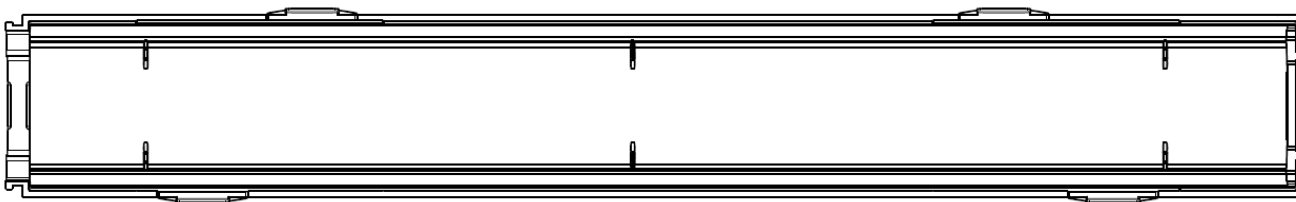
Time line: New version will automatically replace the old one, when the old stock has been depleted.

Changes:

NEW:



OLD:



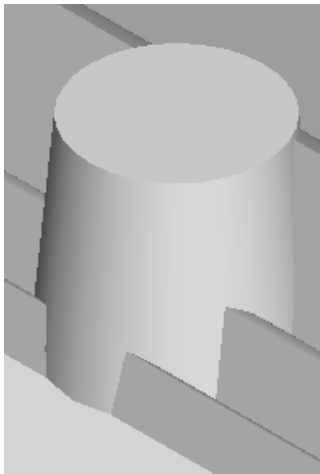
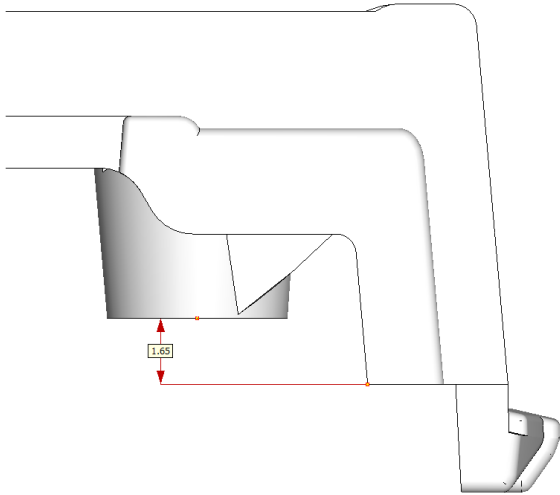
Contact information:

Veijo Isojunno
Product Manager
Joensuunkatu 13
24100 SALO, FINLAND
veijo.isojunno@ledil.com

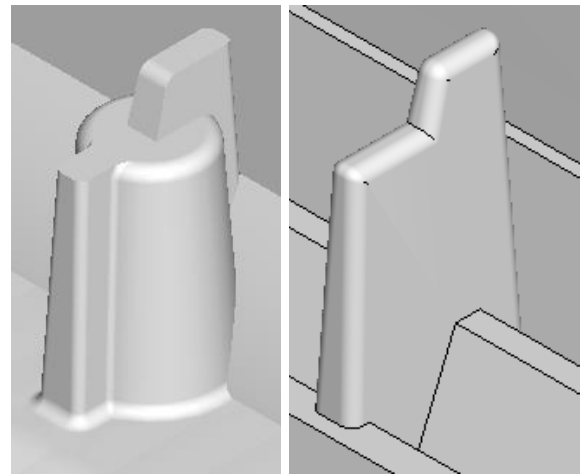
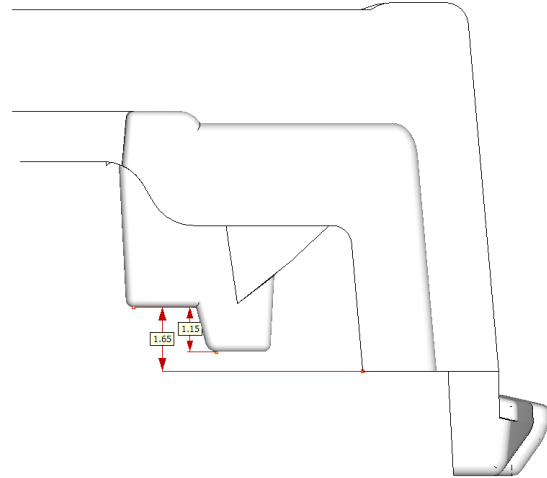
Henri Uutela
Product Manager
Joensuunkatu 13
24100 SALO, FINLAND
henri.uutela@ledil.com

Olga Cherepenina
Product Marketing Manager
Joensuunkatu 13
24100 SALO, FINLAND
olga.cherepenina@ledil.com

NEW:



OLD:



Contact information:

Veijo Isojunno
Product Manager
Joensuunkatu 13
24100 SALO, FINLAND
veijo.isojunno@ledil.com

Henri Uutela
Product Manager
Joensuunkatu 13
24100 SALO, FINLAND
henri.uutela@ledil.com

Olga Cherepenina
Product Marketing Manager
Joensuunkatu 13
24100 SALO, FINLAND
olga.cherepenina@ledil.com

Affected products:

F15523_LINNEA-90
F15524_LINNEA-60
F15756_LINNEA-O
F15860_LINNEA-Z2T25
F15861_LINNEA-ZT25
F15940_LINNEA-90-B
F15941_LINNEA-60-B
F15952_LINNEA-O-B
F15999_LINNEA-Z2T25-B
F16000_LINNEA-ZT25-B
F16048_LINNEA-UP
F16810_LINNEA-ZT25-B-PMMA
F16811_LINNEA-90-PMMA
F16812_LINNEA-90-B-PMMA
F16813_LINNEA-60-PMMA
F16814_LINNEA-60-B-PMMA
F16816_LINNEA-O-PMMA
F16817_LINNEA-O-B-PMMA
F16842_LINNEA-ZT25-PMMA
F16843_LINNEA-Z2T25-PMMA
F16844_LINNEA-Z2T25-B-PMMA
F16845_LINNEA-UP-PMMA

Contact information:

Veijo Isojunno
Product Manager
Joensuunkatu 13
24100 SALO, FINLAND
veijo.isojunno@ledil.com

Henri Uutela
Product Manager
Joensuunkatu 13
24100 SALO, FINLAND
henri.uutela@ledil.com

Olga Cherepenina
Product Marketing Manager
Joensuunkatu 13
24100 SALO, FINLAND
olga.cherepenina@ledil.com