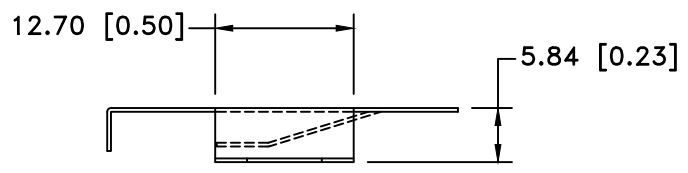
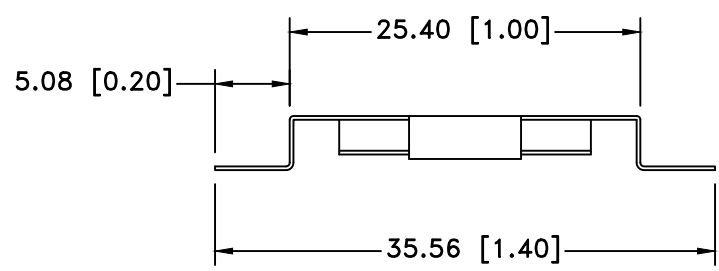
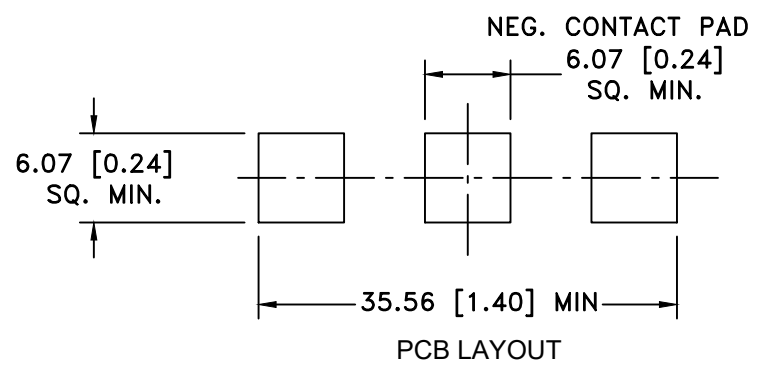
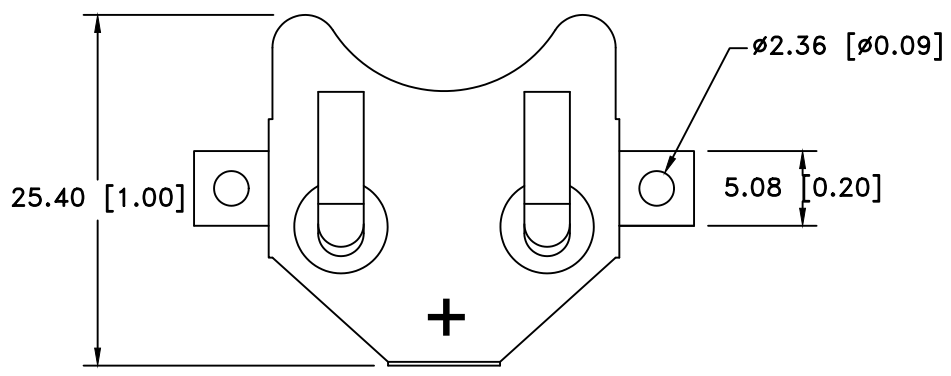



Date	SYM	REVISION RECORD	AUTH	DR.	CK.
12/15/17	E	ADDED CUTOUT AT POSITIVE CONTACT TABS	T.B.	B.S.	
10/31/19	F	ADDED WEIGHT OF THE PART	T.B.	B.S.	
06/20/22	G	ADDED TEMP. RANGE	T.B.	B.S.	



NOTES:

- MATERIAL:
 0.25mm PHOSPHOR BRONZE, NICKEL PLATED.
 APPROXIMATE WEIGHT: 1.58g
 TEMPERATURE RANGE: -40°C TO +260°C
 ROHS COMPLIANT

Tolerance (Except as noted)	 Memory Protection Devices, Inc 200 Broad Hollow Road, Farmingdale, New York 11735	Scale	Drawn By B.S.
		Approved By T.B.	
decimal ±.5 (.020)	Title COIN CELL RETAINER FOR 2450 BATTERIES		
Fractional ± .8 (.030)	Date 06/20/22	Drawing Number BK-877	
Angular ± 3°			

CELL SIZE	RETAINS BATTERY NUMBERS
24mm	CR2450, DL2450