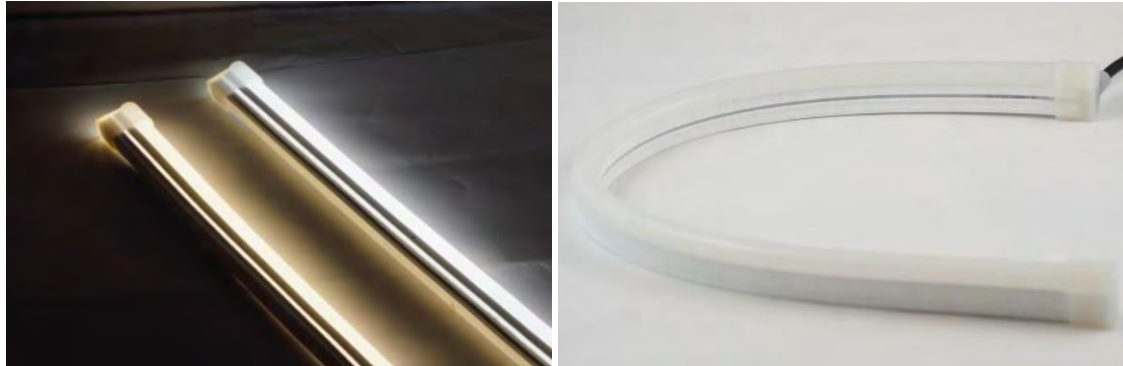


AB-FF Rope Light Side-Emitting Series

IP68 flexible, side-emitting, diffused rope light in 12V/24V DC - Single color, RGB, and RGBW options.



Features:

- UL listed
- IP68 waterproof rating
- Side emitting, viewing angle 90°
- Storage temperature -40°C~+70°C
- Operating temperature -20°C~+50°C
- Environment humidity 40-90%RH

Applications:

- Conference/meeting rooms
- Hospitals
- Commercial/ residential buildings
- Entertainment lighting
- Hotels



AB-FF Rope Light Side-Emitting Series



Part number naming system:

AB – FF V V V K K – L L L W L – X A 1

V V V – Voltage (volt) of the light strip (012=12V, 024=24V)

K K – Color/CCT (27 – 2700K, 30 – 3000K, 40 – 4000K, 50 – 5000K, 63 – 6300K, 65 – 6500K CCT, RD – Red, GR – Green, BL – Blue, AM – Amber, 06 – RGB, 08 – RGBW)

L L L – Light strip length (unit: inch);

Length selection of the strip:

	<u>12V</u>	<u>24V</u>
Single Color	Multiple of 25mm	Multiple of 50mm
RGB/RGBW	Multiple of 50mm	Multiple of 100mm

W L – Lead length (unit: inch); standard length is 12 inches.

X – CRI (8 – 80, 9 – 90, X – not applicable)

Ax – Version (Internal Code)

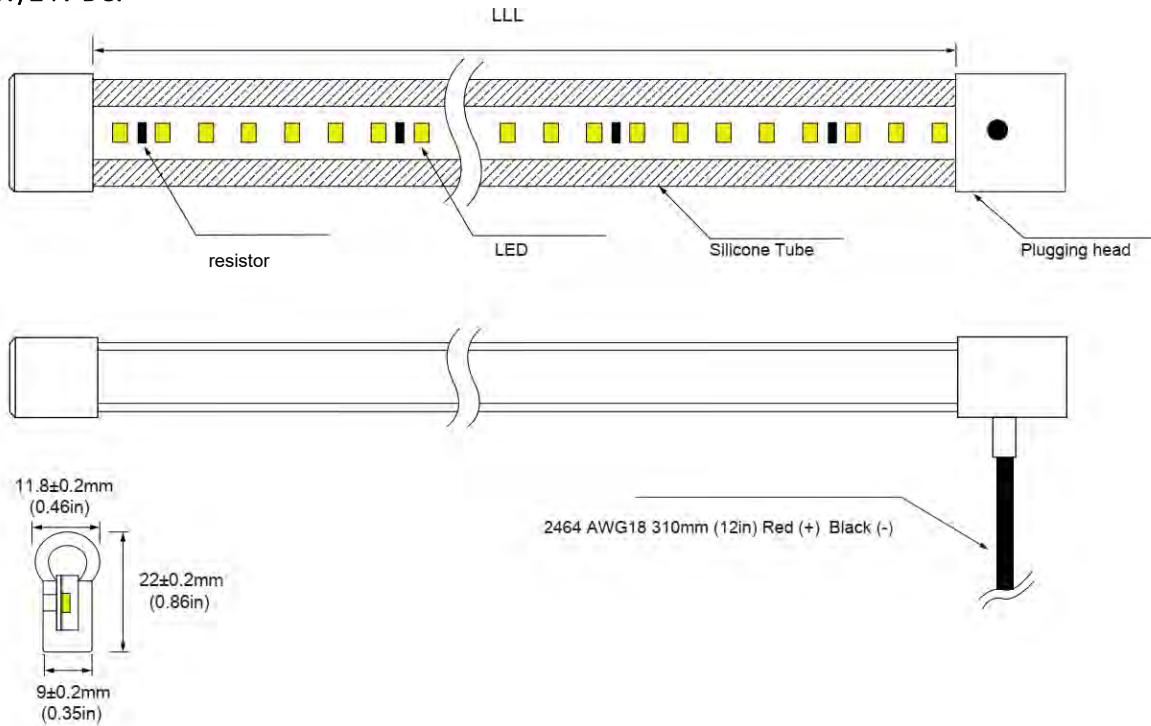
For example, part number below calls out a side-emitting flexible rope light with IP68 rating, 24V DC in 3000K CCT, CRI80, 197 inches long with 12 inches wire lead.

AB – FF 0 2 4 3 0 – 1 9 7 1 2 – 8 A 1

Outline Dimension:

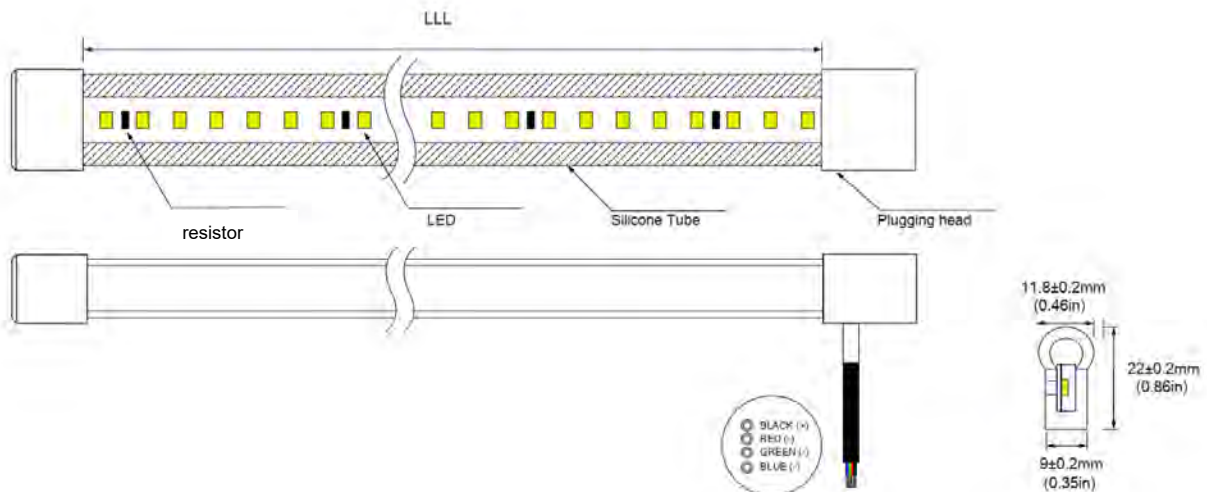
Single Color:

12V/24V DC:



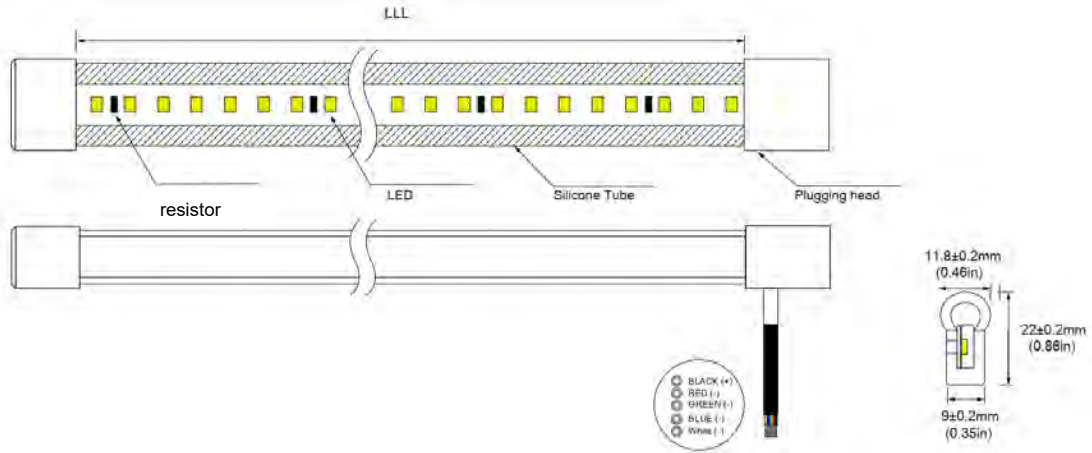
RGB Color:

12V/24V DC:



RGBW Color:

12V/24V DC:

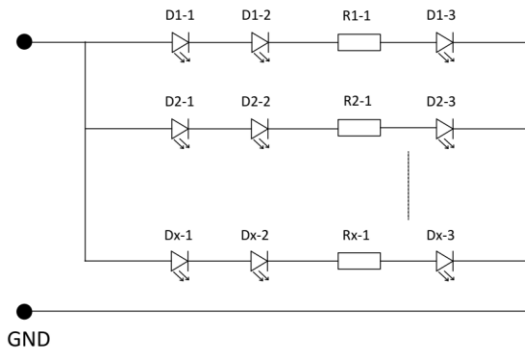


1

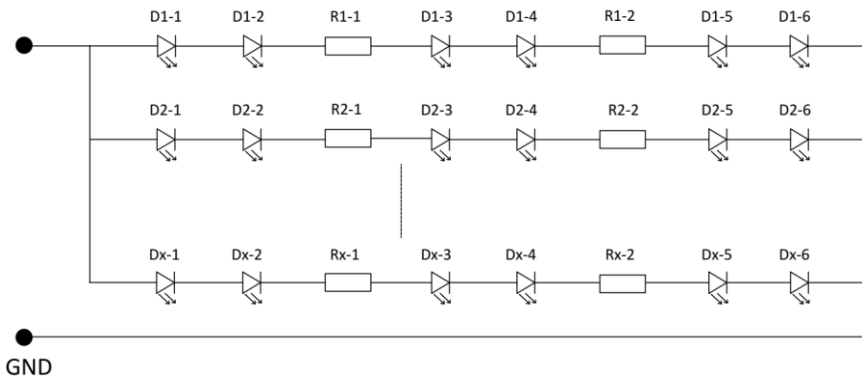
Schematic Diagram:

Single Color:

12V DC



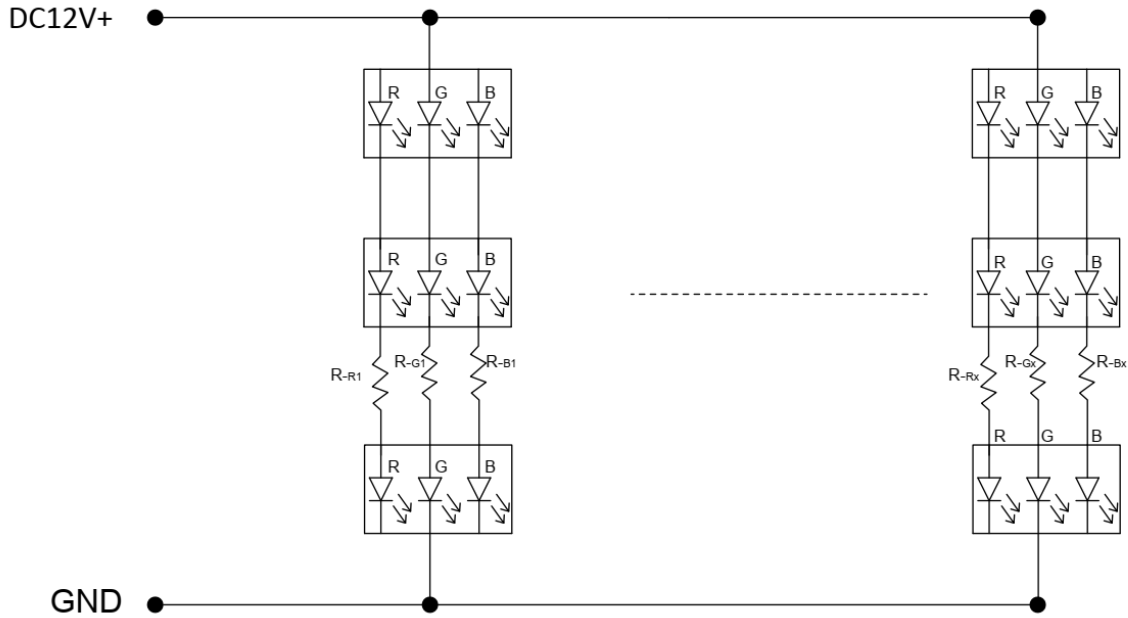
24V DC



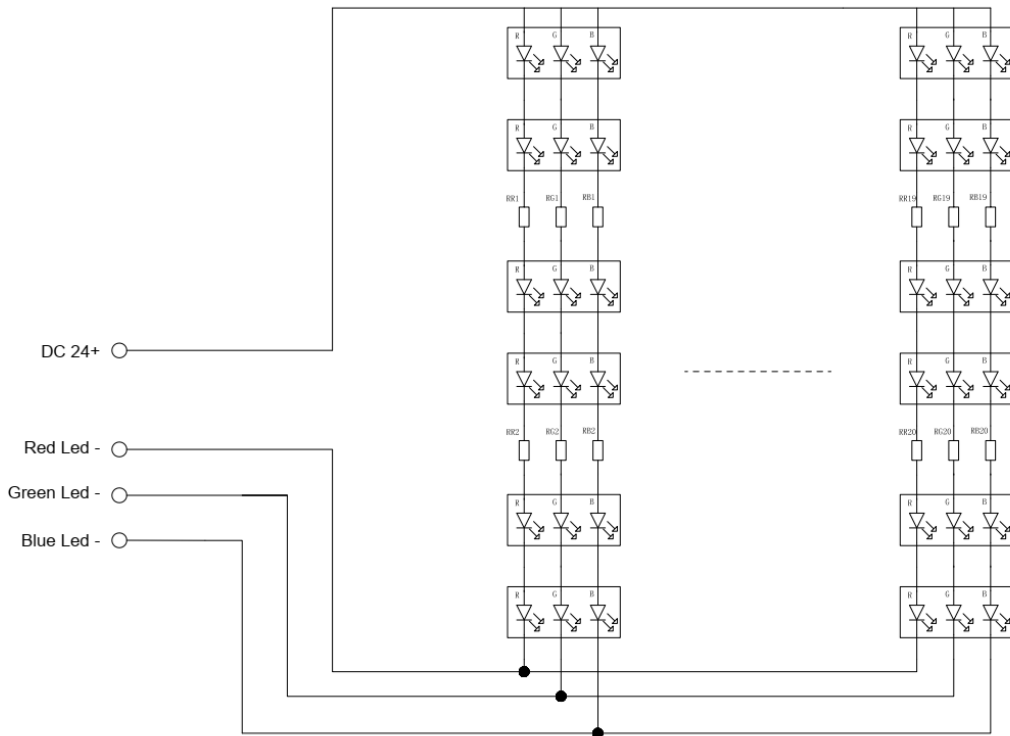
¹ Silicon tube: durometer, shore A 60~65 or equivalent. Color: White

AB-FF Rope Light Side-Emitting Series

RGB Color:

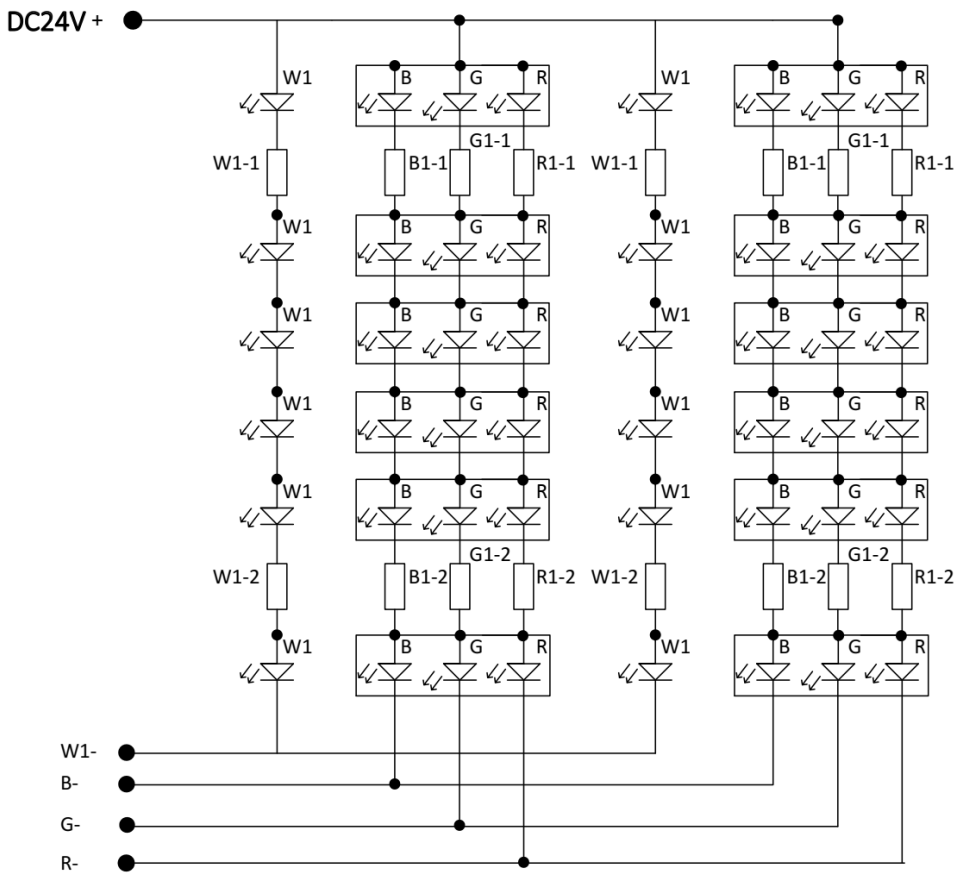
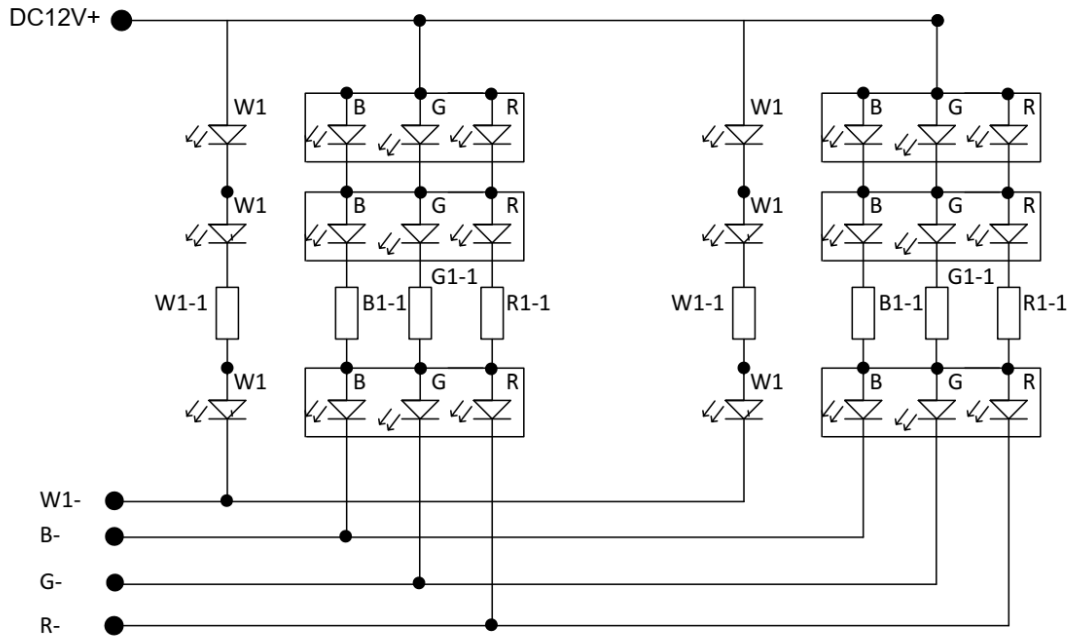


DC24V



AB-FF Rope Light Side-Emitting Series

RGBW Color:



AB-FF Rope Light Side-Emitting Series



Characteristics:

Table 1. Configurations for AB-FF Rope Light Side-Emitting Series.

OPERATING VOLTAGE (V)	CURRENT (A/m)	POWER (W/m)	LENGTH ² m (inch)	LED COUNT/m
12	White/Green/Blue: 0.87	10	5 (197)	120
	Red/Amber: 1.0	12		
	RGB: 1.3	16		
	RGBW: 1.25	15		
24	White/Green/Blue: 0.43	10	5 (197)	120
	Red/Amber: 0.5	12		
	RGB: 0.65	16		
	RGBW: 0.625	15		

Table 2. Product performance of AB-FF Rope Light Side-Emitting Series at T=25 degree C.

PART NUMBER	CCT/ WAVELENGTH	LUMINOUS FLUX ³ (lm/m)	LUMINOUS EFFICACY (lm/W)	CRI			
AB-FF012KK-19712-XA1 ⁴ AB-FF024KK-19712-XA1	30: 3000K	500	50	>80			
	40: 4000K						
	63: 6300K						
	RD: Red 620-625nm				100	10	/
	GR: Green 518-522nm				380	38	/
AB-FF01206-19712-XA1 AB-FF02406-19712-XA1	BL: Blue 440-450nm	80	8	/			
	AM: Amber 558-592nm	90	9	/			
	RD: Red 620-630nm	60	10	/			
	GR: Green 520-535nm	190	38	/			
AB-FF01208-19712-8A1 AB-FF02408-19712-8A1	BL: Blue 465-475nm	40	8	/			
	RD: Red 620-630nm	60	10	/			
	GR: Green 520-535nm	190	38	/			
	BL: Blue 465-475nm	40	8	/			
	27: 2700K ⁵	250	50	>80			
	30: 3000K						
	40: 4000K						
	50: 5000K						
	65: 6500K						

² Standard unit length: 5m or 10m/roll, for custom length, please contact aboc@americanbrightled.com.

³ Luminous flux ±10% is allowed.

⁴ KK - Color/CCT (30 – 3000K, 40 – 4000K, 63 – 6300K CCT, 06 – RGB, 08 – RGBW)

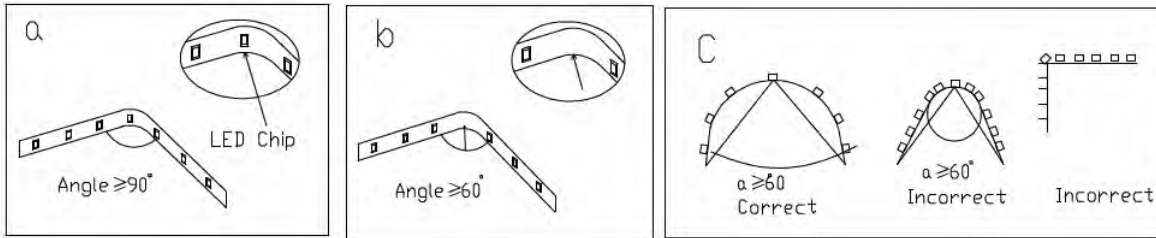
⁵ Please advise the color temperature when ordering.

AB-FF Rope Light Side-Emitting Series

Optional Mounting Accessories:

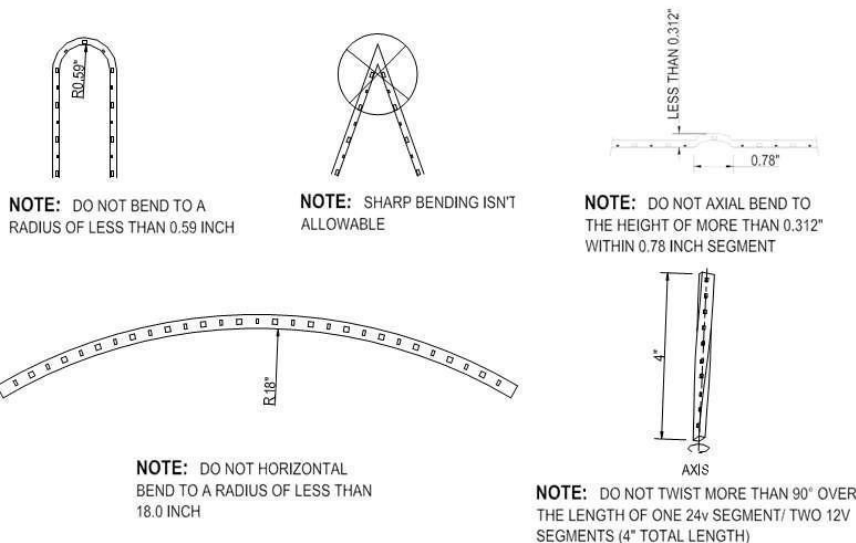
Please refer to spec "Accessories For Flexible Light."

Installation Instructions:



- a: use an angle greater or equal to 90 degrees when there is an LED chip on the corner while placing, the strip in a concave position (Angle ≥ 90 degree)
- b: use an angle greater or equal to 60 degrees when there is an LED chip on the corner while placing, the strip in a concave position (Angle ≥ 60 degree)
- c: use an angle greater or equal to 60 degrees when there is an LED chip on the corner while placing the strip in a concave position (Angle ≥ 60 degree) In the convex position the angle should not reach, 90 degrees. See above diagram.

Maximum flexibility precaution:



NOTE: DO NOT BEND TO A RADIUS OF LESS THAN 0.59 INCH

NOTE: SHARP BENDING ISN'T ALLOWABLE

NOTE: DO NOT AXIAL BEND TO THE HEIGHT OF MORE THAN 0.312" WITHIN 0.78 INCH SEGMENT

NOTE: DO NOT HORIZONTAL BEND TO A RADIUS OF LESS THAN 18.0 INCH

NOTE: DO NOT TWIST MORE THAN 90° OVER THE LENGTH OF ONE 24V SEGMENT/ TWO 12V SEGMENTS (4" TOTAL LENGTH)

Packaging:

Table 3. Packaging information

Model	QTY ⁶	Image
AB-FA series AB-FC series AB-FD series	1 roll/per ESD bag 10 bags/carton	
AB-FB series AB-FF series AB-FH series	1 roll/per tray 10 trays/carton	

⁶ Standard unit length: 5m or 10m/roll, 1 roll/bag. QTY/bag varies per different unit lengths.

AB-FF Rope Light Side-Emitting Series