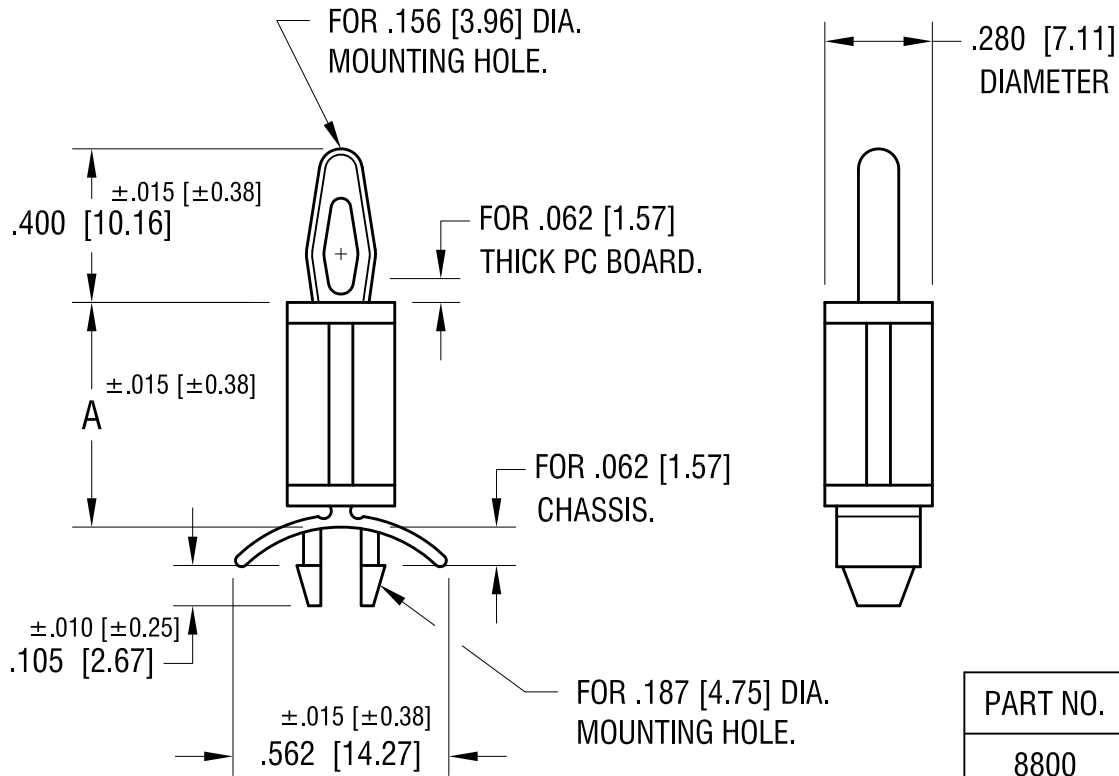


THIS DOCUMENT IS THE PROPERTY OF  
KEYSTONE ELECTRONICS CORP. AND  
SHALL NOT BE REPRODUCED, DISTRIBUTED  
OR USED AS A BASIS FOR MANUFACTURE  
WITHOUT PRIOR WRITTEN PERMISSION  
FROM KEYSTONE ELECTRONICS CORP.



PART NO.	'A' DIM.
8800	.187 [4.74]
8801	.250 [6.35]
8802	.375 [9.52]
8803	.500 [12.70]
8804	.625 [15.87]
8805	.750 [19.05]
8806	.875 [22.22]

### KEYSTONE ELECTRONICS CORP.

ASTORIA, N.Y. 11105-2017

PART NAME

PC TENSION-FIT SUPPORT

MATERIAL

NYLON 6/6, UL 94V-0

FINISH

-

DRN BY

BOONE

DATE

8.25.95

APP'D

LN

SCALE

2X

TOLERANCES

INCH [MM]

DECIMAL  $\pm .005$  [ $\pm 0.15$ ]

ANGULAR  $\pm 1^\circ$   
UNLESS OTHERWISE SPECIFIED

CODE

C

DWG NO.

8800-8806

DATE

DESCRIPTION

REV.