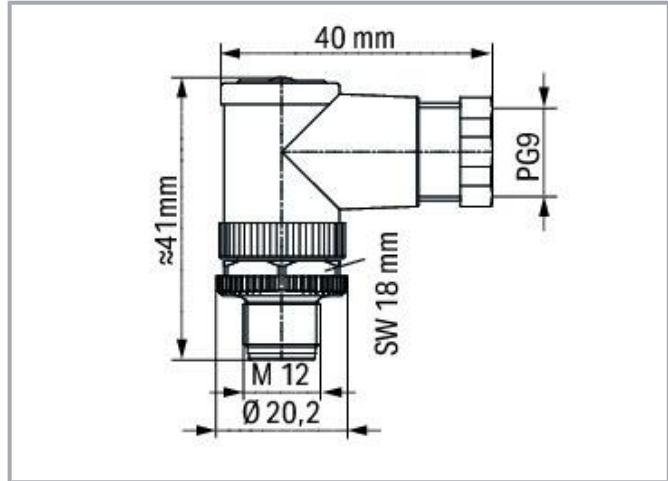
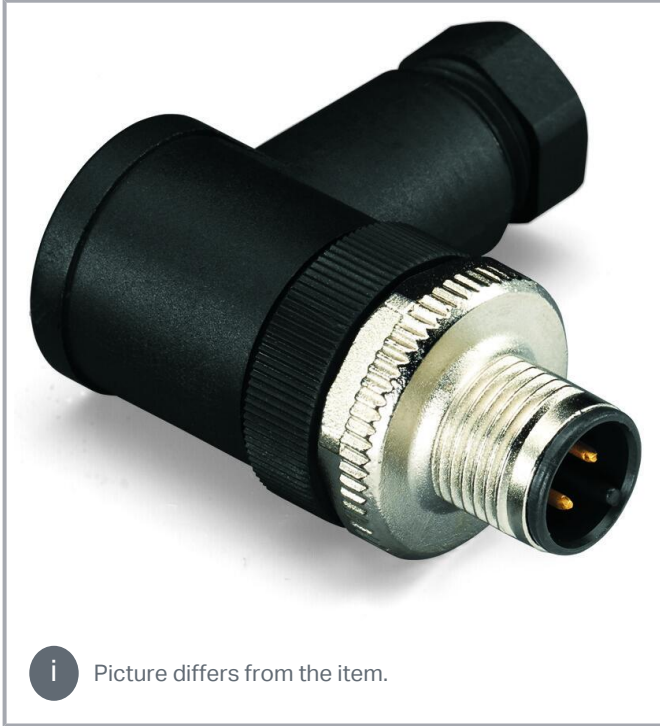


Data sheet | Item number: 756-9206/050-000

Fitted pluggable connector; 5-pole; M12 plug, right angle; Spring

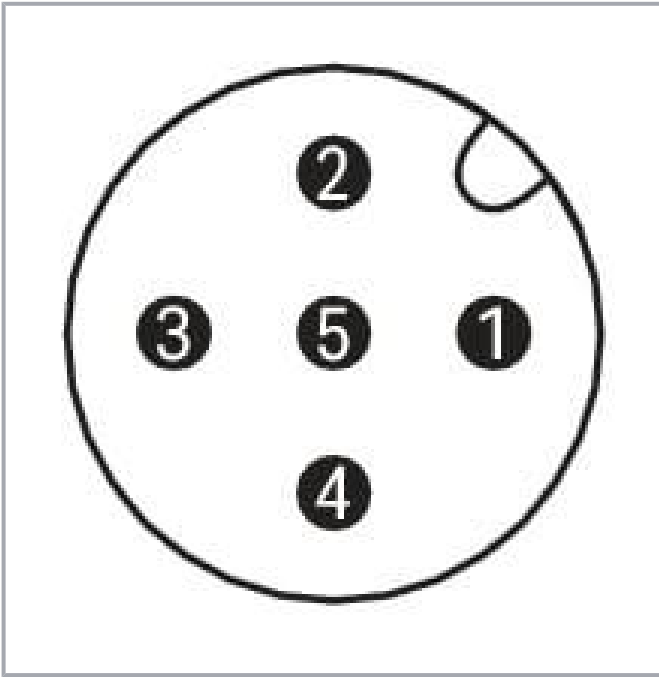
www.wago.com/756-9206/050-000



Subject to changes. Please also observe the further product documentation!

WAGO GmbH & Co. KG
Hansastr. 27
32423 Minden
Phone: +49571 887-0 | Fax: +49571 887-169
Email: info.de@wago.com | Web: www.wago.com

Do you have any questions about our products?
We are always happy to take your call at +49 (571) 887-44222.



Data

Technical data

Connection type	M12 plug
Pole number	5
Cable connection direction to mating direction	90 °
Connector interface coding (cable/adapter) 1 1	A-coded
Contact resistance	≤3 mΩ

Connection data

Connection type 1	Spring clamp technology
Solid conductor	0.14 ... 0.5 mm ²

Mechanical Data

Connectable sheathed cable diameter	6 ... 8 mm
Housing material	Polybutylene terephthalate (PBT)
Contact material	CuZn
Contact plating	Gold
Dichtungsmaterial	Seal: Neoprene
Mating cycles (max.)	100

Subject to changes. Please also observe the further product documentation!

WAGO GmbH & Co. KG
 Hansastr. 27
 32423 Minden
 Phone: +49571 887-0 | Fax: +49571 887-169
 Email: info.de@wago.com | Web: www.wago.com

Do you have any questions about our products?
 We are always happy to take your call at +49 (571) 887-44222.



Weight	23 g
--------	------

Environmental requirements

Ambient temperature (operation)	-25 ... +85 °C
Protection type	IP67
Note on protection type	in locked position
Pollution degree	3

Commercial data

eCl@ss 10.0	27-24-26-92
eCl@ss 9.0	27-24-26-92
ETIM 8.0	EC002584
ETIM 7.0	EC002584
PU (SPU)	5 (1) pcs
Packaging type	box
Country of origin	DE
GTIN	4050821114277
Customs tariff number	85366990990

Environmental Product Compliance

CAS-No.	96-45-7
REACH Candidate List Substance	Ethylene thiourea
RoHS Compliance Status	Compliant, No Exemption
SCIP notification number (Austria)	9d38fc4a-1f44-4159-9b12-4ba01836468e
SCIP notification number (Belgium)	a66b22ad-4972-49f0-9378-784f9ed98183
SCIP notification number (Bulgaria)	b84ba91d-68ad-4f42-b442-8236cc46b7cd
SCIP notification number (Czech Republic)	485ae914-a903-4ce1-8094-beacf063f99f
SCIP notification number (Denmark)	e7f87b1e-100c-4615-805f-e217ac9ad43b
SCIP notification number (Finland)	9ee6bcdf-b8d6-42e1-bf75-26ced7ff03f3
SCIP notification number (France)	80755e72-875a-45f3-be6f-7b2700053648
SCIP notification number (Germany)	8bdb755a-fa69-4535-ad2f-0f62c263ae2c
SCIP notification number (Hungary)	71ac3b38-4573-417f-8510-f14703523d33
SCIP notification number (Italy)	da1682d7-418a-46d1-bb0f-4133d06c20e5
SCIP notification number (Netherlands)	c6b67da0-e454-4c2f-bf3c-d9b80c8f5a67
SCIP notification number (Poland)	2fa76dca-b710-4c5a-9f9a-d2eae61a4638
SCIP notification number (Romania)	2b875fdd-364e-4189-8106-83f4a439da02
SCIP notification number (Sweden)	909b8ff5-af40-4778-b927-e88f5021831e

Subject to changes. Please also observe the further product documentation!

WAGO GmbH & Co. KG
Hansastr. 27
32423 Minden
Phone: +49571 887-0 | Fax: +49571 887-169
Email: info.de@wago.com | Web: www.wago.com

Do you have any questions about our products?
We are always happy to take your call at +49 (571) 887-44222.



Downloads

CAD/CAE-Data

CAE data

WSCAD Universe 756-9206/050-000	URL	Download
---------------------------------	---------------------	--------------------------

WSCAD Universe 756-9206/050-000	URL	Download
---------------------------------	---------------------	--------------------------

Environmental Product Compliance

Compliance Search

Environmental Product Compliance 756-9206/050-000	URL	Download
---	---------------------	--------------------------

Fitted pluggable connector; 5-pole; M12 plug, right angle; Spring

Installation Notes

Subject to changes. Please also observe the further product documentation!

WAGO GmbH & Co. KG

Hansastr. 27

32423 Minden

Phone: +49571 887-0 | Fax: +49571 887-169

Email: info.de@wago.com | Web: www.wago.com

Do you have any questions about our products?

We are always happy to take your call at +49 (571) 887-44222.