

Würth Elektronik eiSos GmbH &amp; Co. KG

EMC &amp; Inductive Solutions

Max-Eyth-Straße 1 · 74638 Waldenburg · Germany

Tel. +49 (0) 79 42 945-0 · Fax +49 (0) 79 42 945-400

eiSos@we-online.de · www.we-online.de



## Product/Process Change Notice (PCN)

- Major change  
 Minor change

PCN #: IndTFC\_20170225

Product Affected: WE-TFC series

PCN Date: November 25th 2016

Effective Date: February 25th 2017

- Product Mark  
 Date Code  
 Packaging  
 Others

Contact: Product Management

Phone: +49 (0) 7942 - 945 5001

Fax: +49 (0) 7942 - 945 5179

E-mail: pcn.eisos@we-online.de

Attachment:  Yes  No

### DESCRIPTION AND PURPOSE OF CHANGE:

In order to enhance the product reliability, Würth Elektronik will change the packaging specifications of the product with effective date of 25<sup>th</sup> February 2017. The packaging unit will also change according the new packaging.

Affected part numbers:

- 744862018
- 744862033
- 744862056
- 744862082
- 744862100
- 744862120
- 744862180
- 744862250

	Packaging unit before change	Packaging unit after change
<b>Tube/Tray</b>	30	106
<b>Box</b>	960	630

Würth Elektronik eiSos GmbH &amp; Co. KG Sitz Waldenburg, Registergericht Stuttgart HRA 580801

Komplementär Würth Elektronik eiSos Verwaltungs-GmbH, Sitz Waldenburg, Registergericht Stuttgart HRB 581033 · Geschäftsführer Oliver Konz, Thomas Schrott

Bankverbindungen UniCredit Bank AG Stuttgart, Konto 322 620 136, BLZ 600 202 90, IBAN DE86 6002 0290 0322 6201 36, SWIFT/BIC HYVEDEMM473

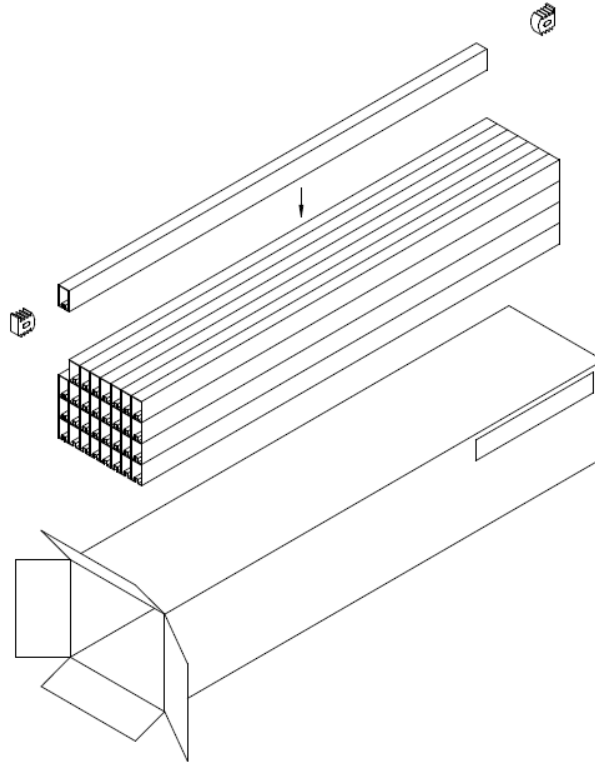
USt.-IdNr. DE220618976

Würth Elektronik eiSos GmbH & Co. KG  
 EMC & Inductive Solutions  
 Max-Eyth-Straße 1 · 74638 Waldenburg · Germany  
 Tel. +49 (0) 79 42 945-0 · Fax +49 (0) 79 42 945-400  
 eiSos@we-online.de · www.we-online.de

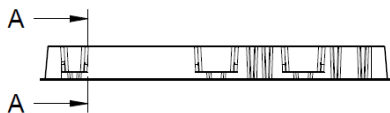


**DETAIL OF CHANGE**

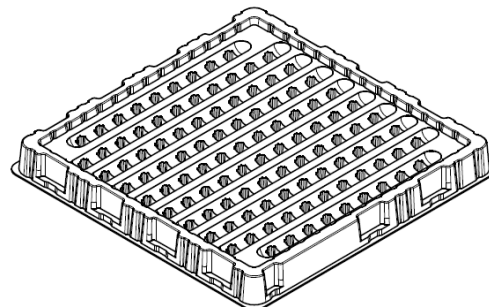
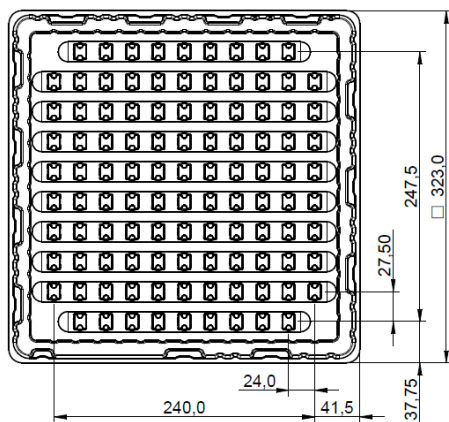
**Before change**



**After Change**



sectional drawing A-A



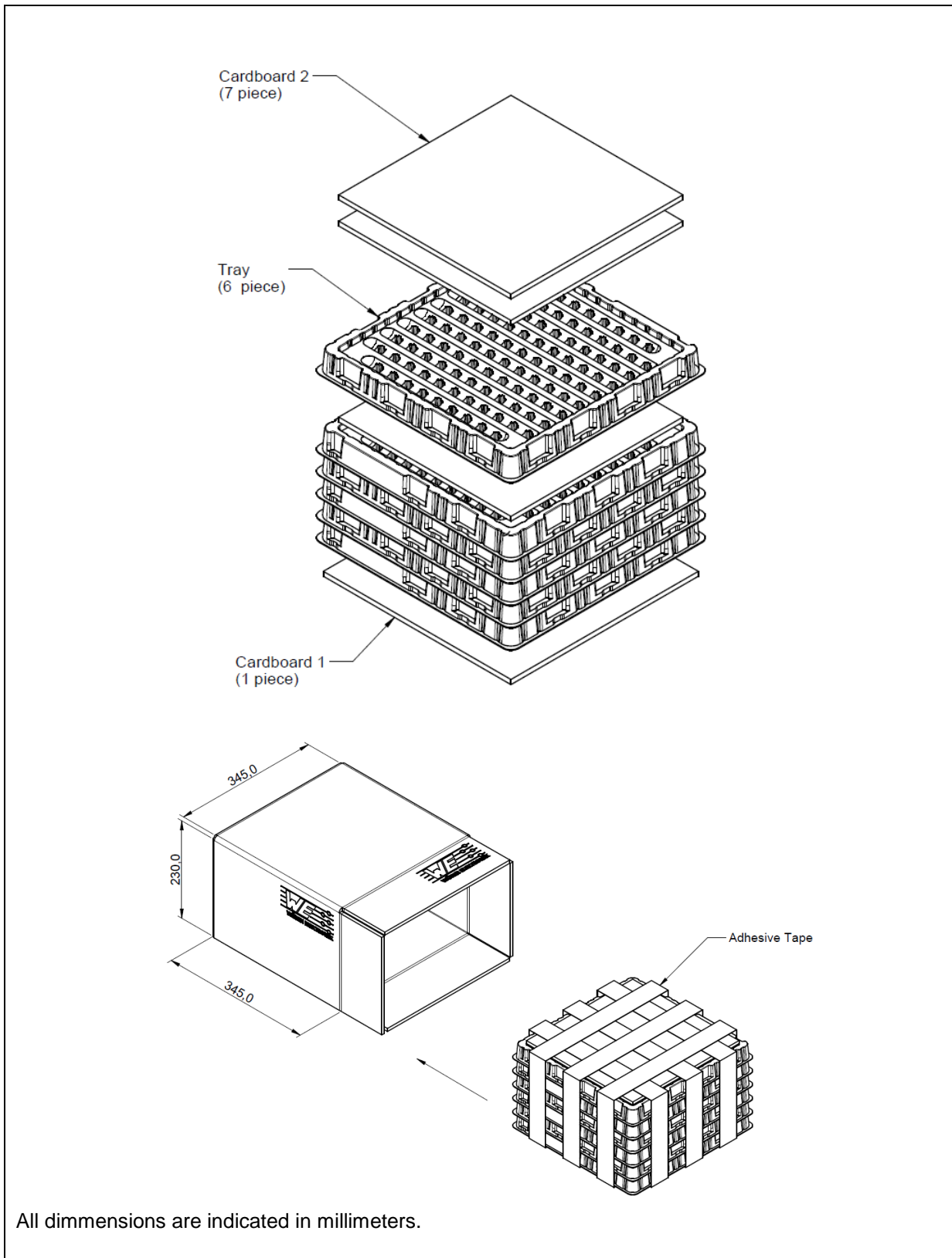
Würth Elektronik eiSos GmbH & Co. KG

EMC & Inductive Solutions

Max-Eyth-Straße 1 · 74638 Waldenburg · Germany

Tel. +49 (0) 79 42 945-0 · Fax +49 (0) 79 42 945-400

eiSos@we-online.de · www.we-online.de



Würth Elektronik eiSos GmbH & Co. KG Sitz Waldenburg, Registergericht Stuttgart HRA 580801

Komplementär Würth Elektronik eiSos Verwaltungs-GmbH, Sitz Waldenburg, Registergericht Stuttgart HRB 581033 · Geschäftsführer Oliver Konz, Thomas Schrott

Bankverbindungen UniCredit Bank AG Stuttgart, Konto 322 620 136, BLZ 600 202 90, IBAN DE86 6002 0290 0322 6201 36, SWIFT/BIC HYVEDEMM473

USt.-IdNr. DE220618976

Würth Elektronik eiSos GmbH & Co. KG

EMC & Inductive Solutions

Max-Eyth-Straße 1 · 74638 Waldenburg · Germany

Tel. +49 (0) 79 42 945-0 · Fax +49 (0) 79 42 945-400

eiSos@we-online.de · www.we-online.de



**RELIABILITY / QUALIFICATION SUMMARY:**

Product approval is according to the specification and is internally released by the Product Management Department.

**DATA SHEET CHANGE:**

Yes

No