

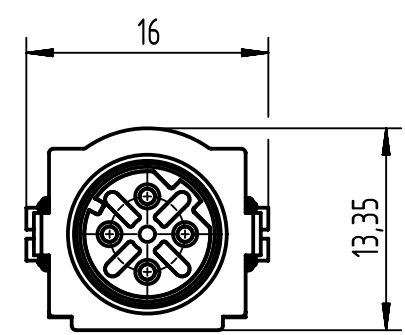
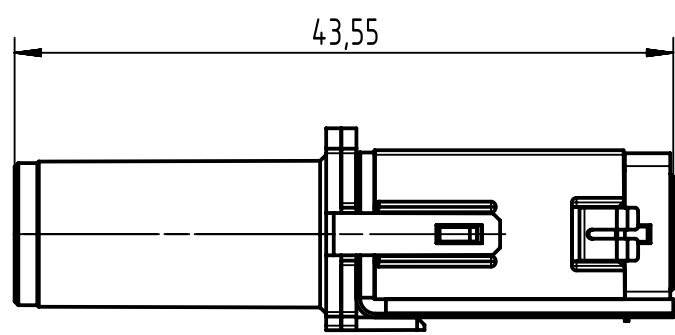
1 2 3 4 5 6

A

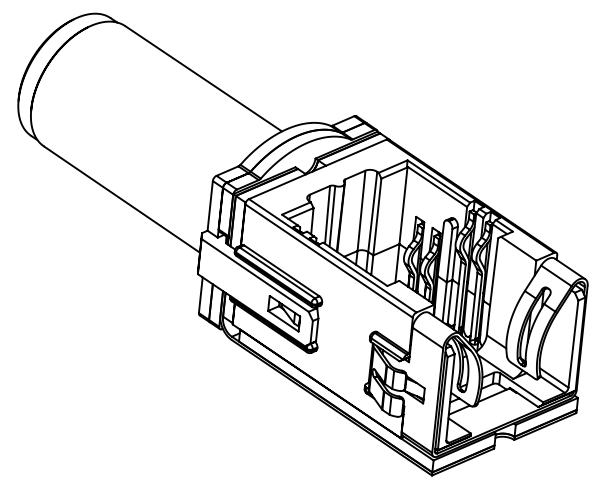
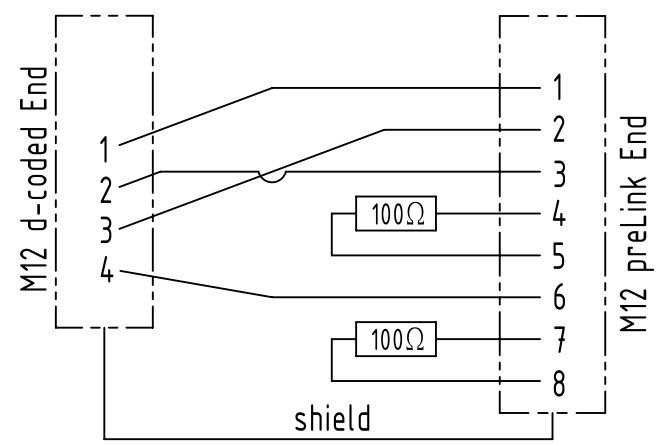
B

C

D



circuit diagram



	All Dimensions in mm Original Size DIN A4		Scale 2:1	Free size tol.		Ref.		
			Created by BALSAN	Inspected by PRIESTER	Standardisation HOFFMANN	Date 2019-05-14	State Final Release	
All rights reserved Department EL PD		Title preLink M12 plug-in module 4-pole Cat.5					Doc-Key / ECM-Nr. 100231576/UGD/002/C 500000151156	
HARTING Electronics GmbH D-32339 Espelkamp		Type TB	Number 20820051214			Rev. C	Page 1/1	