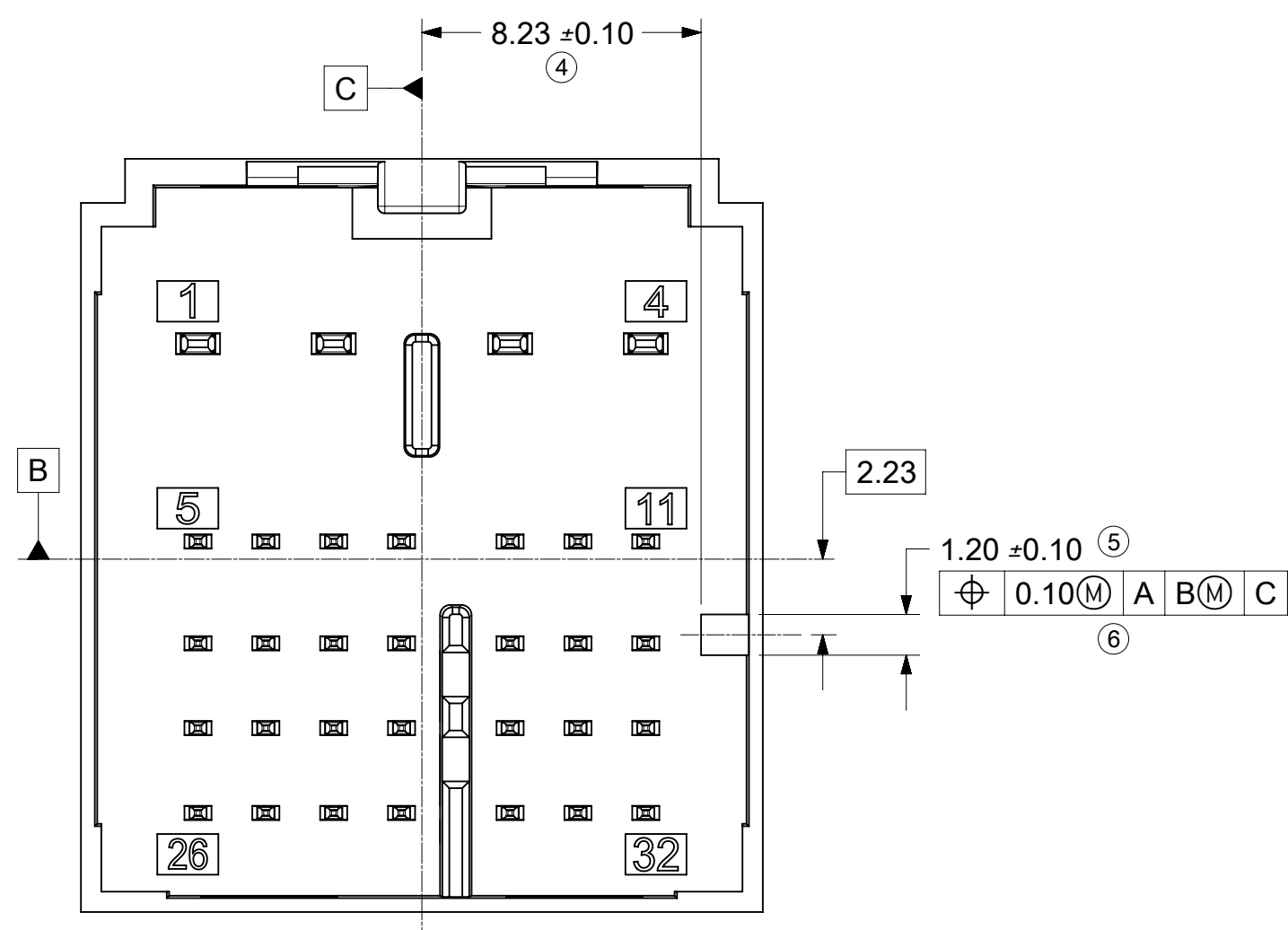
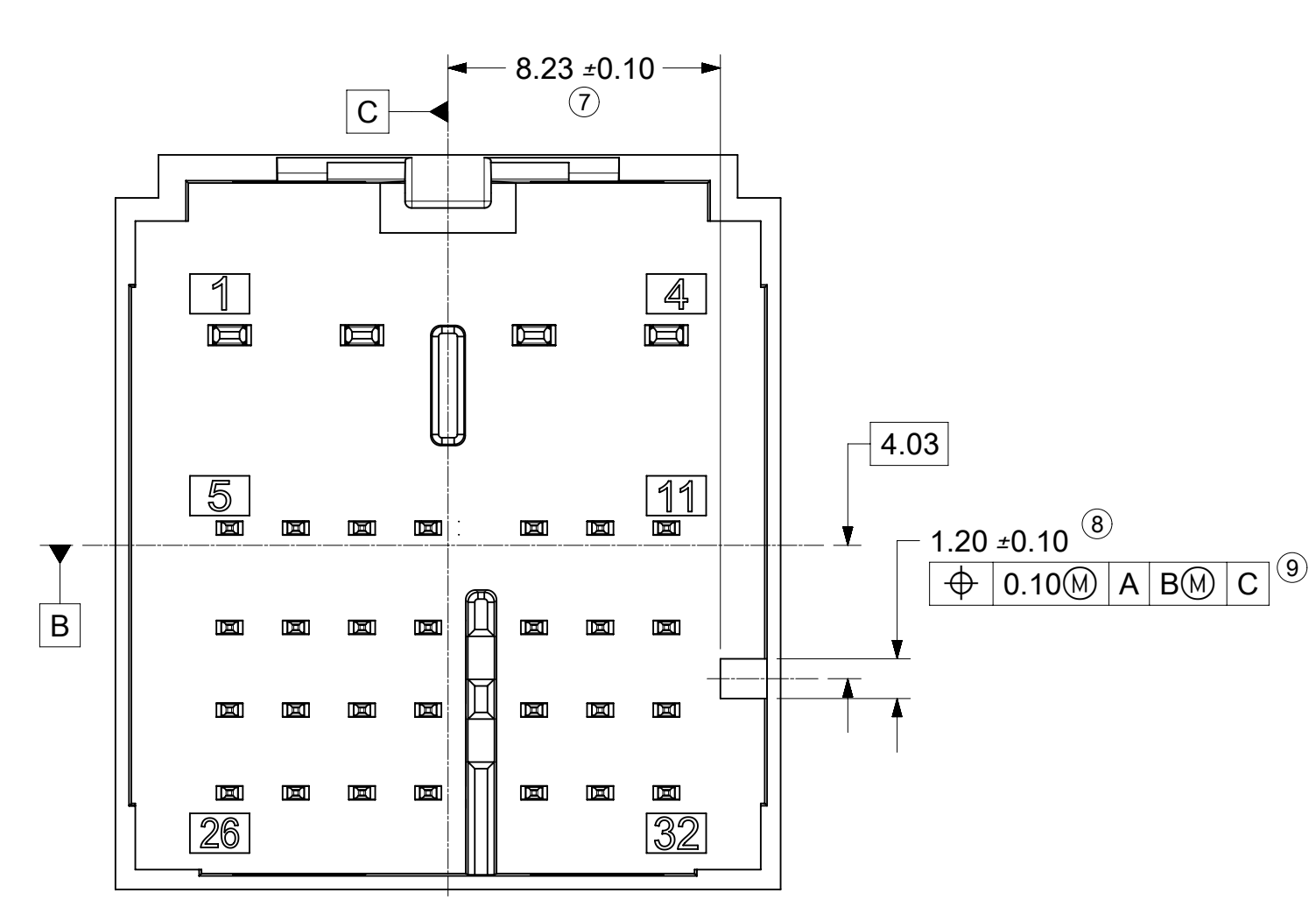


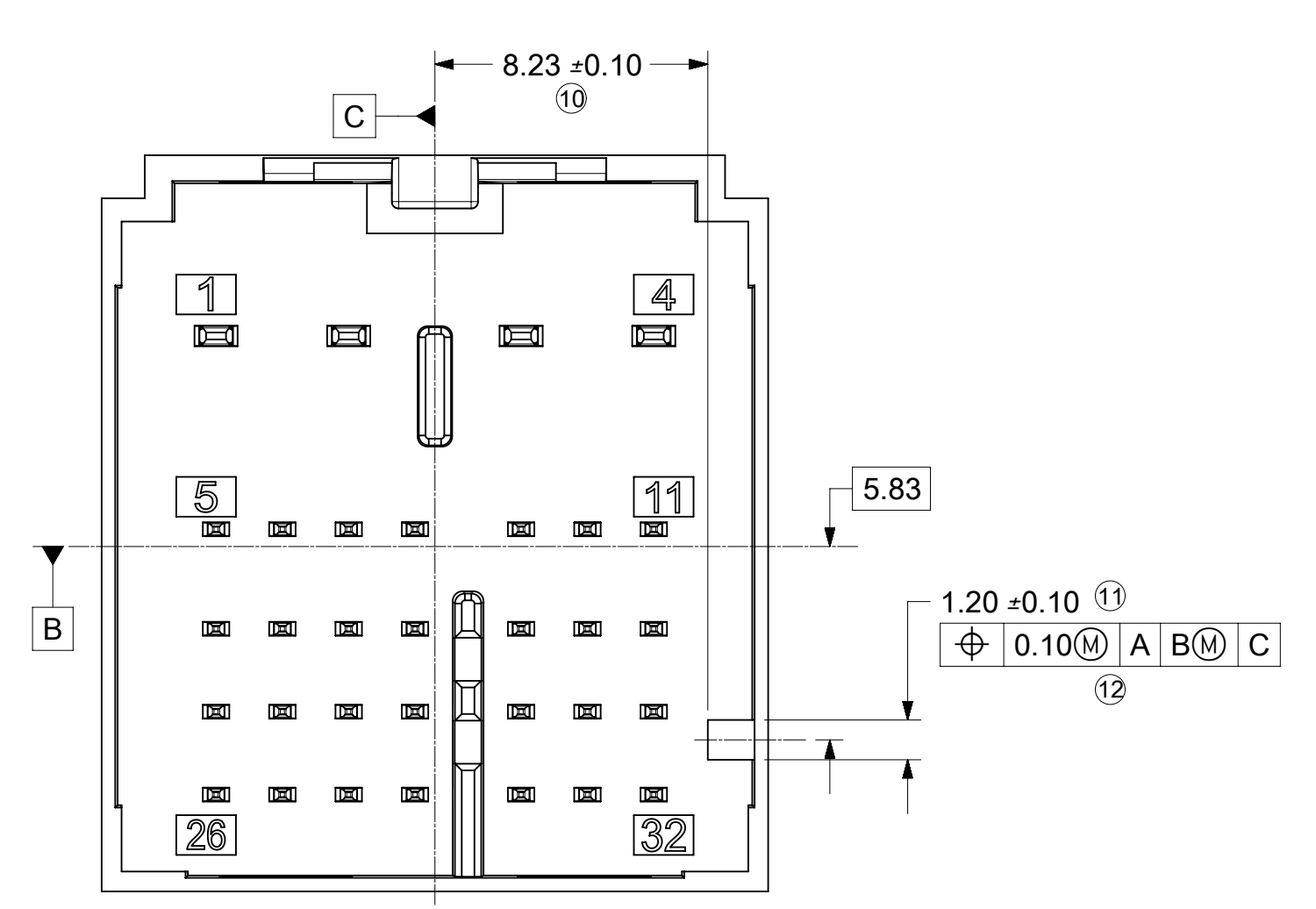
INTERFACE KEY 1 & KEY 5



INTERFACE KEY 2 & KEY 6



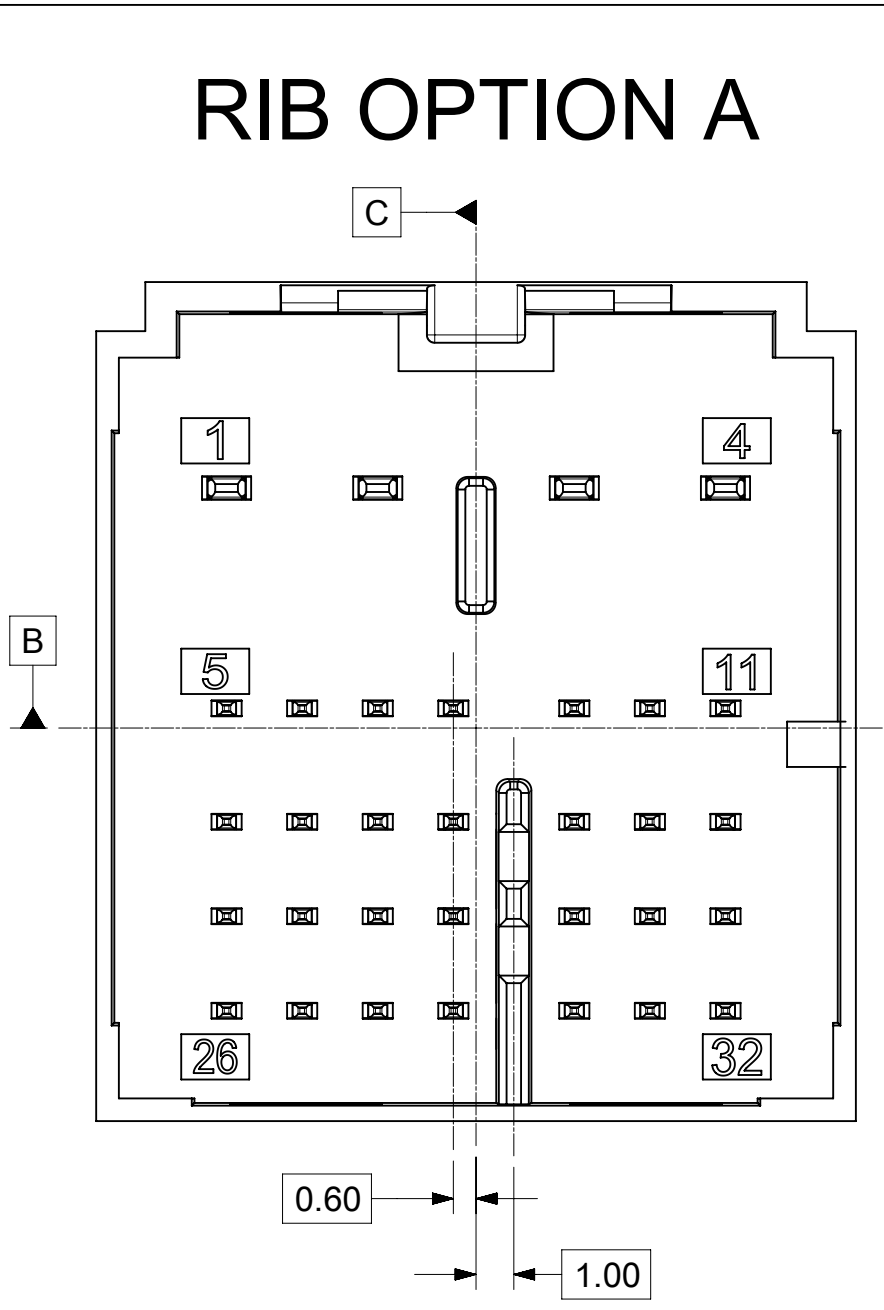
INTERFACE KEY 3 & KEY 7



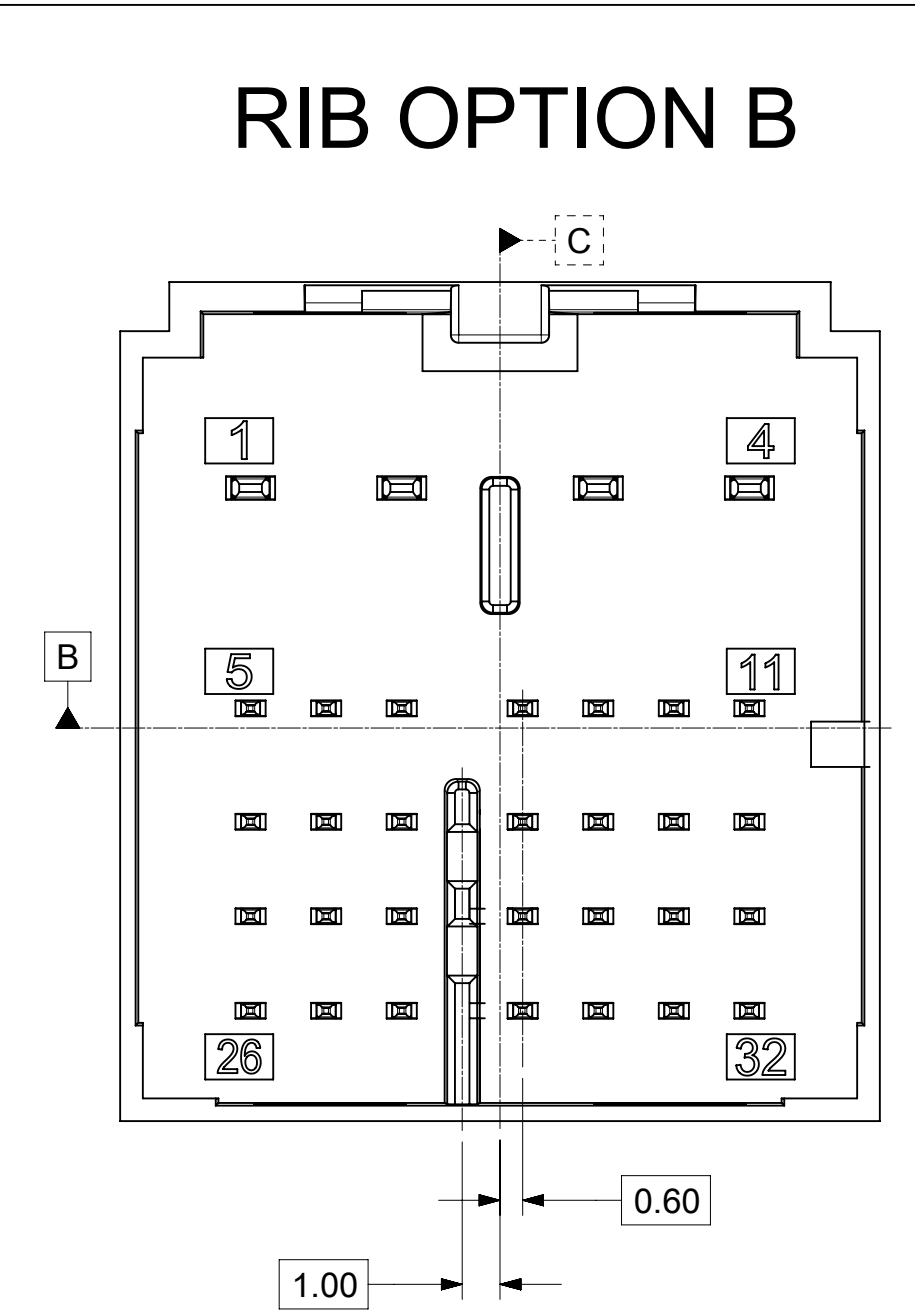
INTERFACE KEY 4 & KEY 8

INTERFACE OPTIONS		
KEY	RIB OPTION	MATING CONNECTOR COLOR
1	OPTION A	BLACK
2	OPTION A	BLUE
3	OPTION A	DARK GRAY
4	OPTION A	PURPLE C
5	OPTION B	PINK B
6	OPTION B	TBD
7	OPTION B	LIGHT BROWN
8	OPTION B	TBD

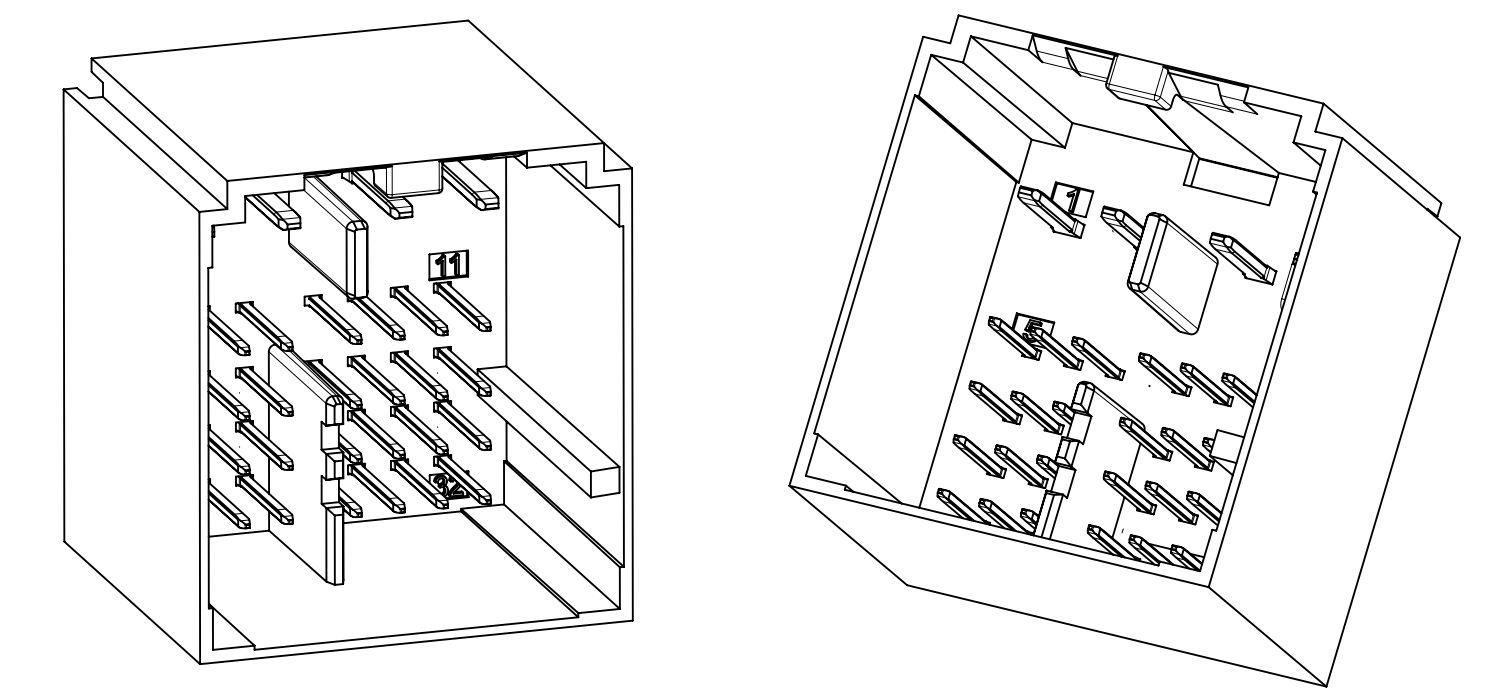
- NOTES: VALID UNLESS OTHERWISE SPECIFIED
- DESIGN - MATERIALS:
 - RESIN MATERIAL: PBT+GF30 OR SPS+GF30 OR EQUIVALENT
 - PIN/BLADE MATERIAL: ACCORDING TO USCAR DRAWING EWCAP-001 NOTE B2.
 - PLATING: ACCORDING TO USCAR DRAWING EWCAP-001 TIN REFLOW WITH UNDERPLATE.
 - PIN TIPS ACCORDING TO USCAR DRAWING EWCAP-001 (120-T002 & 050-T001)
 - DEVIATION TO EWCAP-001 ACCEPTABLE IF PERFORMANCE (ELECTRICAL/MECHANICAL) IS SHOWN TO BE EQUAL OR BETTER AS REQUIRED BY VALIDATION TESTING.
 - DESIGN - GEOMETRY:
 - ALL GRAPHIC DATA IS BASIC (NO TOLERANCE) AND MUST BE TAKEN FROM THE DATA FILE AT ITS LATEST REVISION.
 - GEOMETRIC DIMENSIONS AND TOLERANCES PER ASME Y14.5M-2009
 - GENERAL TOLERANCES:
 - LINEAR: PER DIN 16901 LINEAR CODE B FOR PRECISION ENGINEERING
 - ANGULAR: -3°
 - EDGES AND UNDIMENSIONED DETAILS PER ISO13715
 - CORNERS SHOWN AS SHARP TO BE R 0.2 MAX.
 - LETTERING SHALL BE 0.15 MAX RAISED IN 0.25 MAX RECESS PAD. THIS INCLUDES RECYCLING CODE, CAVITY ID, VENDOR IDENTIFICATION, AND CUSTOMER MATERIAL NUMBER. (for small parts: LETTERING SHALL BE 0.10 MAX RAISED IN 0.15 MAX RECESS PAD)
 - DESIGN - MANUFACTURING:
 - DRAFT TO BE WITHIN TOLERANCE.



RIB OPTION A

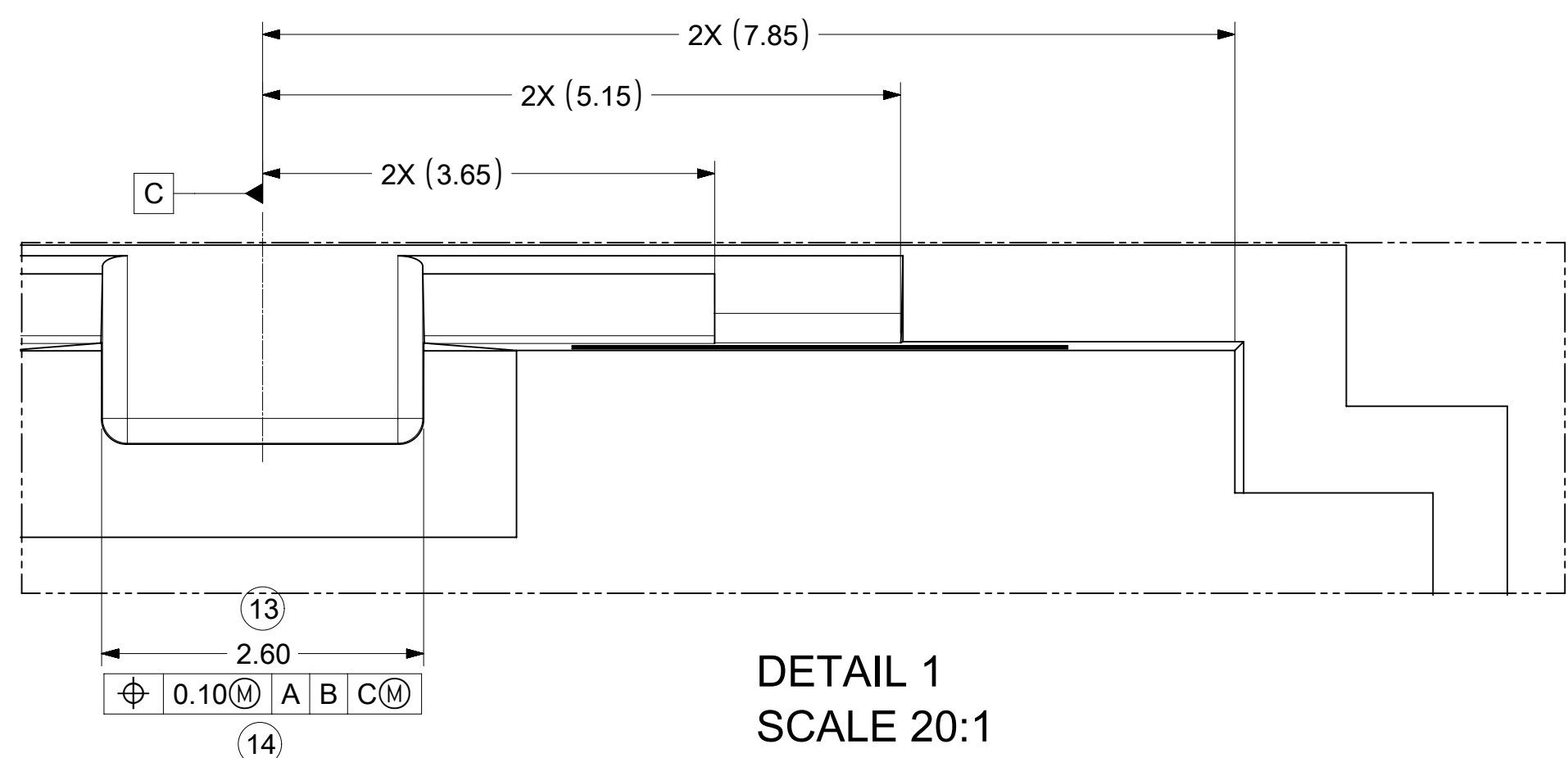


RIB OPTION B

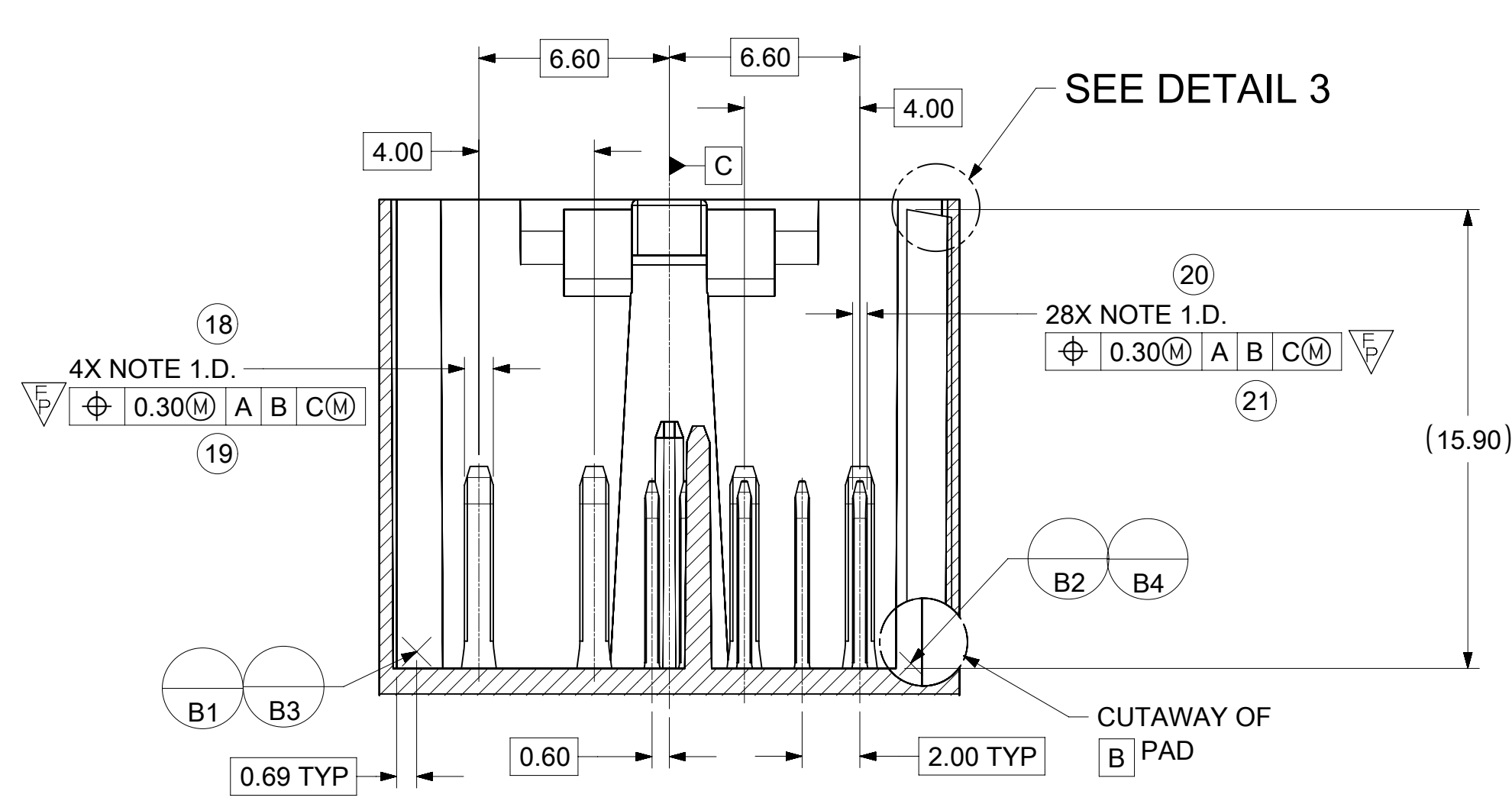


REV	DESCRIPTION
B1	ADDED BALLOONS JCONDON 08/02/2018
B	REMOVED 0.2MM FROM CONNECTOR LOCK TAB FEATURE
A1	ADDED NOTE 1.E JCONDON 11/13/2017
A	NX-REMASTERING SAP # 10867412
7	UAU2016-1182 SAP # 10762453 JCONDON 02/08/2016
6	UAU2015-1446 SAP # 10681629 JCONDON 03/25/2015
5	UAU2015-1212 SAP # 10674908 JCONDON 02/06/2015
4	UAU2015-0982 SAP # 10670199 JCONDON 12/22/2014
3	UAU2014-1679 SAP # XXXXXXXX KDEKOSKI 05/02/2014
2	UAU2014-1221 SAP # XXXXXXXX MYOUNG01 02/06/2014
1	UAU2014-0715 SAP # XXXXXXXX MYOUNG01 01/02/2014

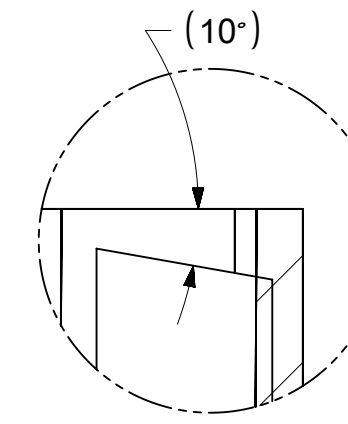
SYMBOLS	THIS DRAWING CONTAINS INFORMATION THAT IS PROPRIETARY TO MOLEX ELECTRONIC TECHNOLOGIES, LLC AND SHOULD NOT BE USED WITHOUT WRITTEN PERMISSION		
▽ = 0	DIMENSION UNITS	SCALE	CURRENT REV DESC: ADDED DIMENSION
▽ = 0	mm	5:1	BALLOONS
▽ = 0	GENERAL TOLERANCES (UNLESS SPECIFIED)		
▽ = 0	ANGULAR TOL	± °	EC NO: 602204
▽ = 0	4 PLACES	±	DRWN: JCONDON 2018/08/02
▽ = 0	3 PLACES	±	CHK'D: JCONDON 2018/08/03
▽ = 0	2 PLACES	±	APPR: MVANSLAMBROU 2018/08/03
▽ = 0	1 PLACE	±	INITIAL REVISION:
▽ = 0	0 PLACES	±	DRWN: MYOUNG01 2013/11/14
▽ = 0	DRAFT WHERE APPLICABLE MUST REMAIN WITHIN DIMENSIONS		
▽ = 0	THIRD ANGLE PROJECTION	DRAWING	SERIES
▽ = 0		D-SIZE	160028
		MATERIAL NUMBER	CUSTOMER
		SD-160028-002	GENERAL MARKET
		DOC TYPE	DOC PART
		PSD	001
		REVISION	B1
		SHEET NUMBER	
		1 OF 3	



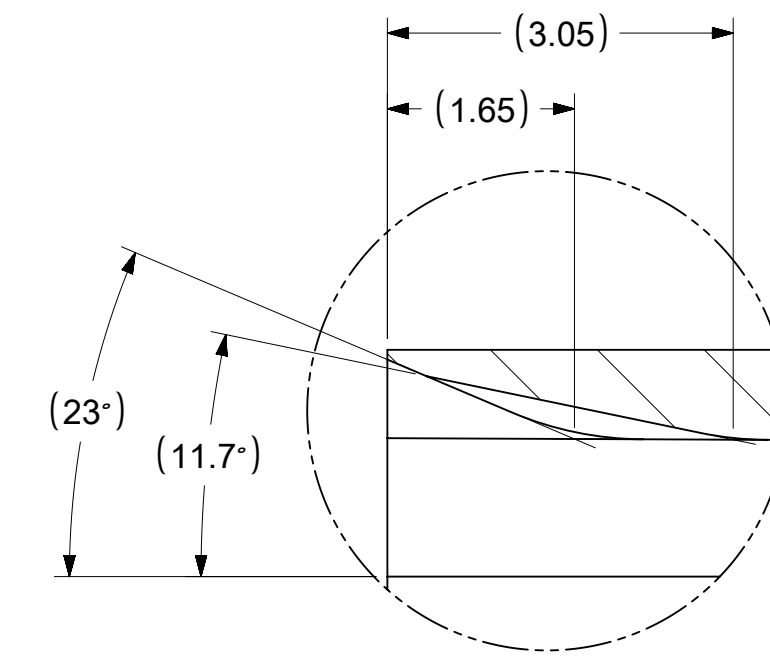
DETAIL 1
SCALE 20:1



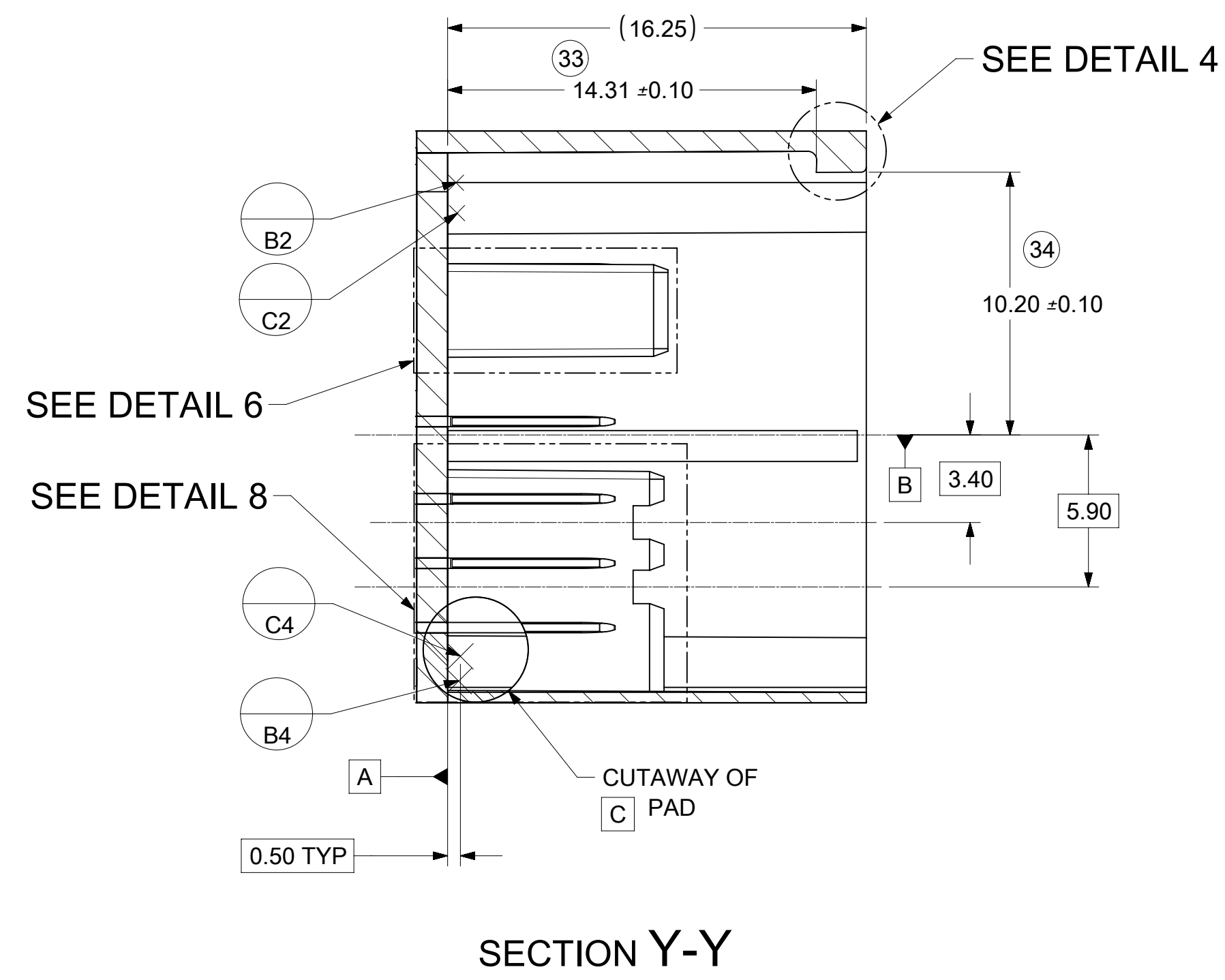
SECTION X-X



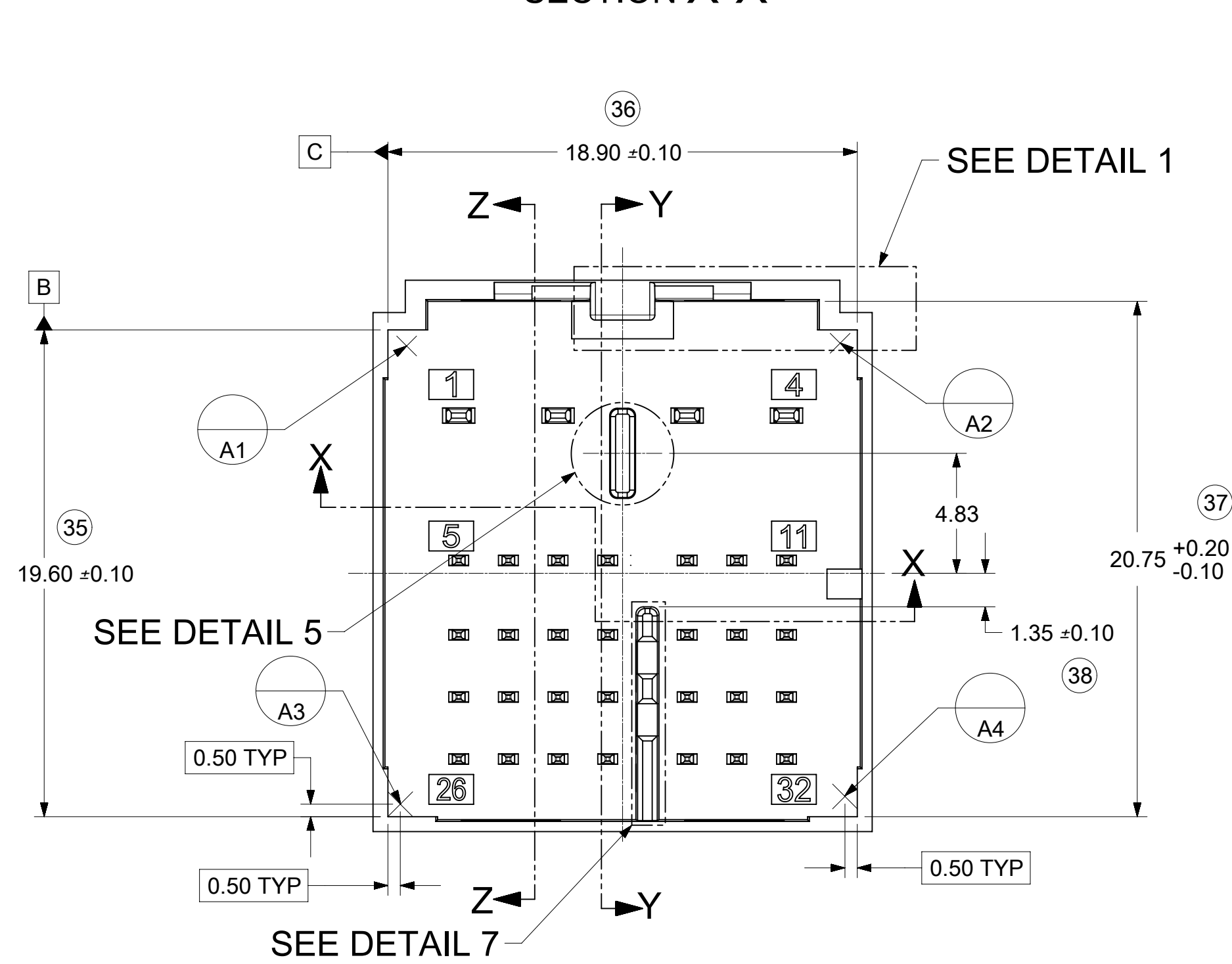
DETAIL 3
SCALE 15:1



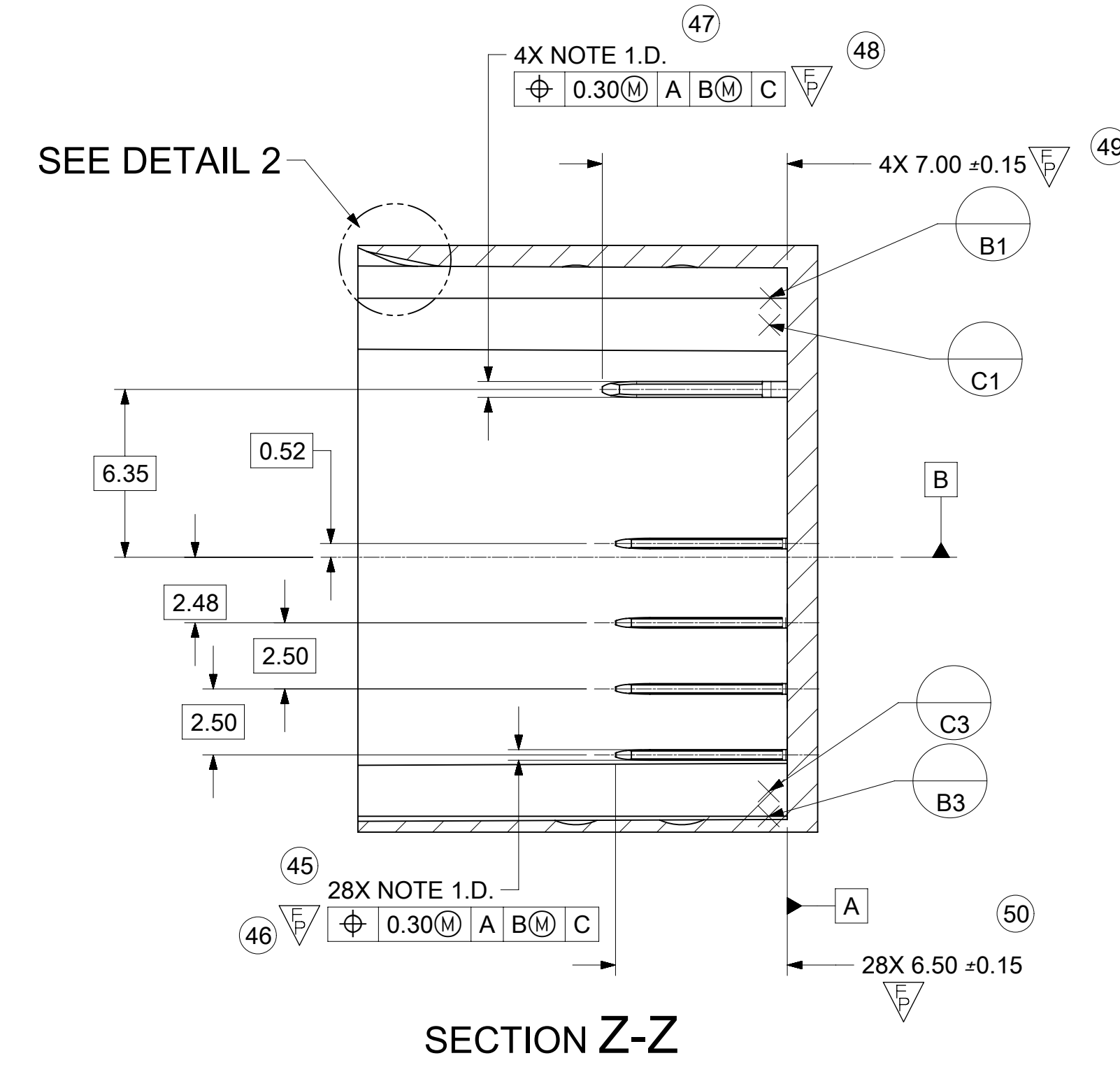
DETAIL 2
SCALE



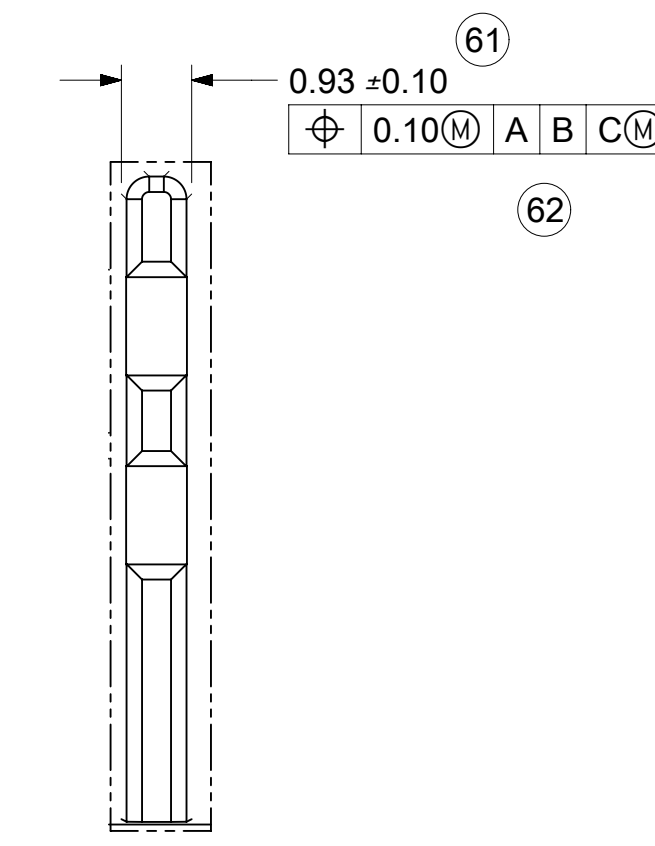
SECTION Y-Y



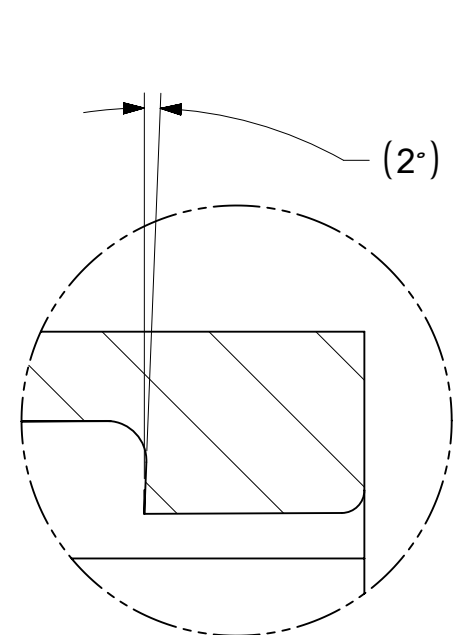
SECTION X-X



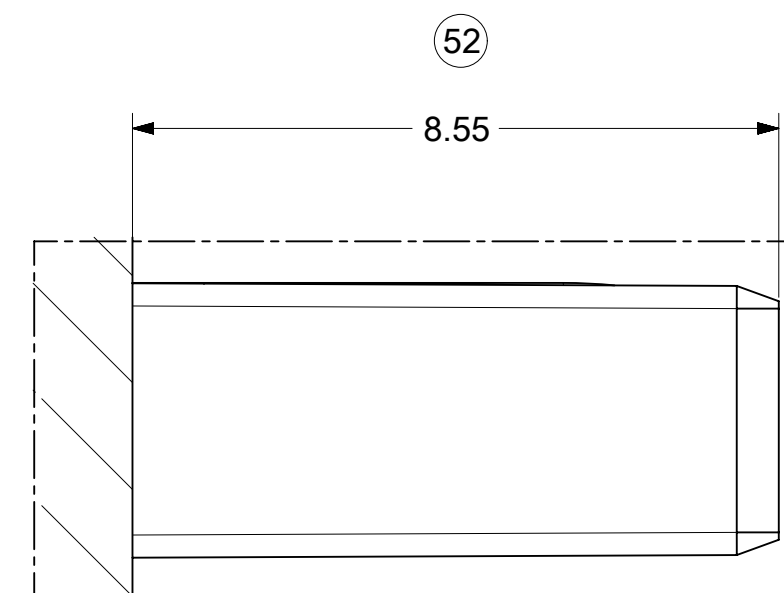
SECTION Z-Z



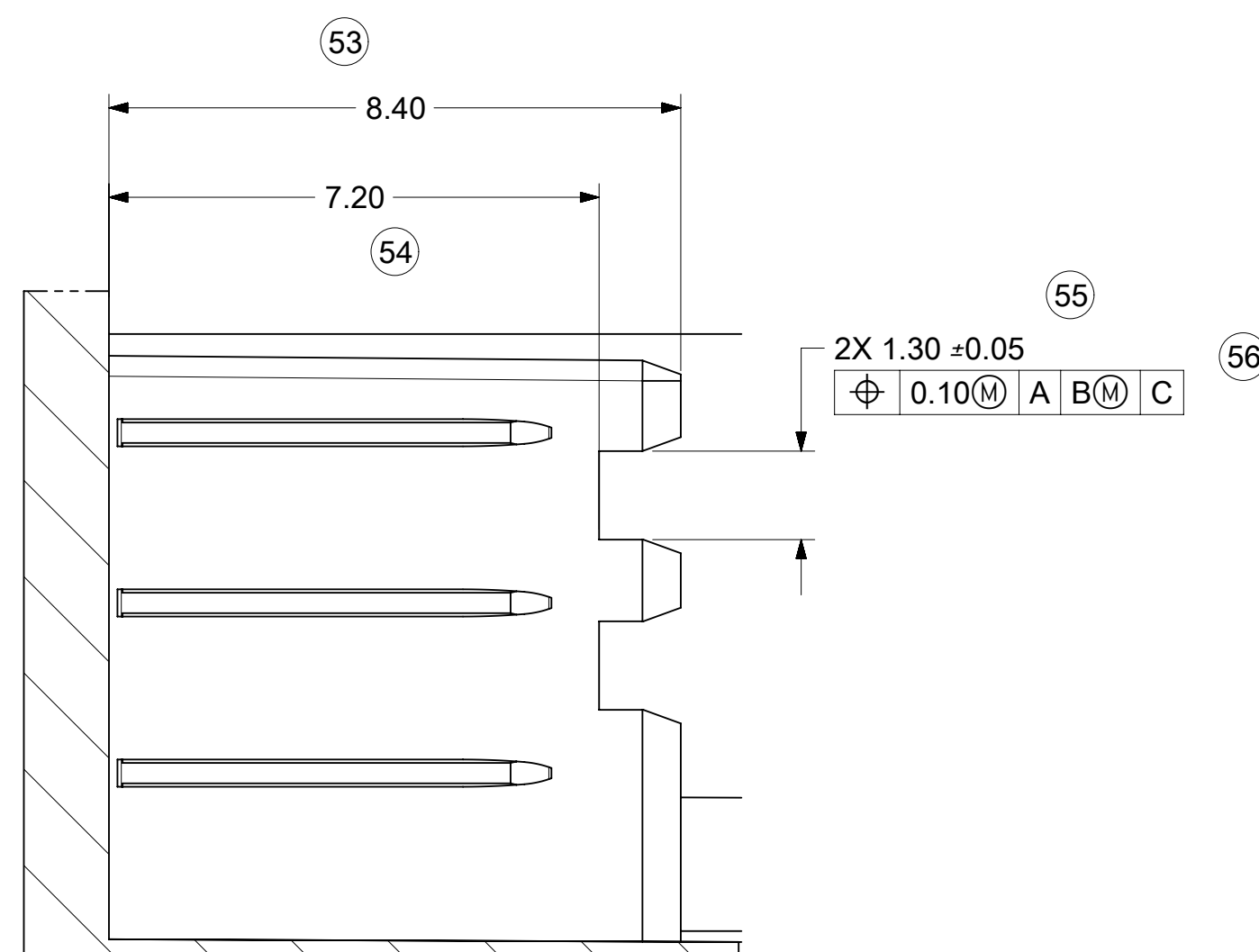
DETAIL 7
SCALE



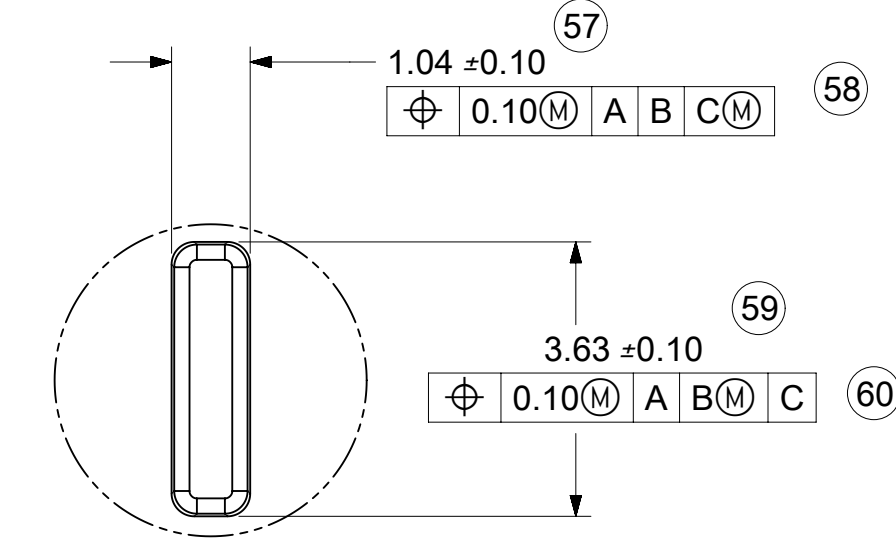
DETAIL 4
SCALE 15:1



DETAIL 6
SCALE 10:1



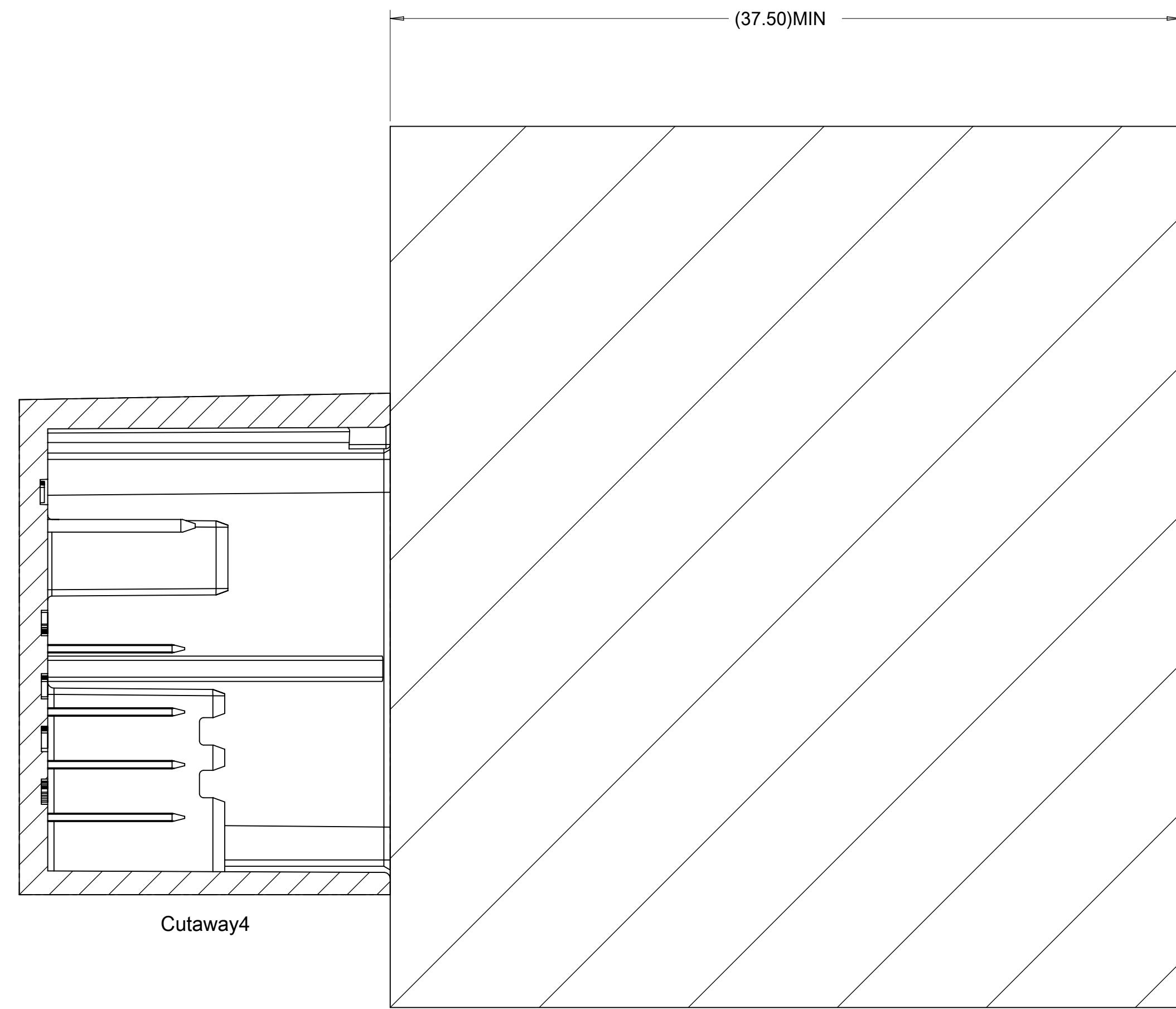
DETAIL 8
SCALE 10:1



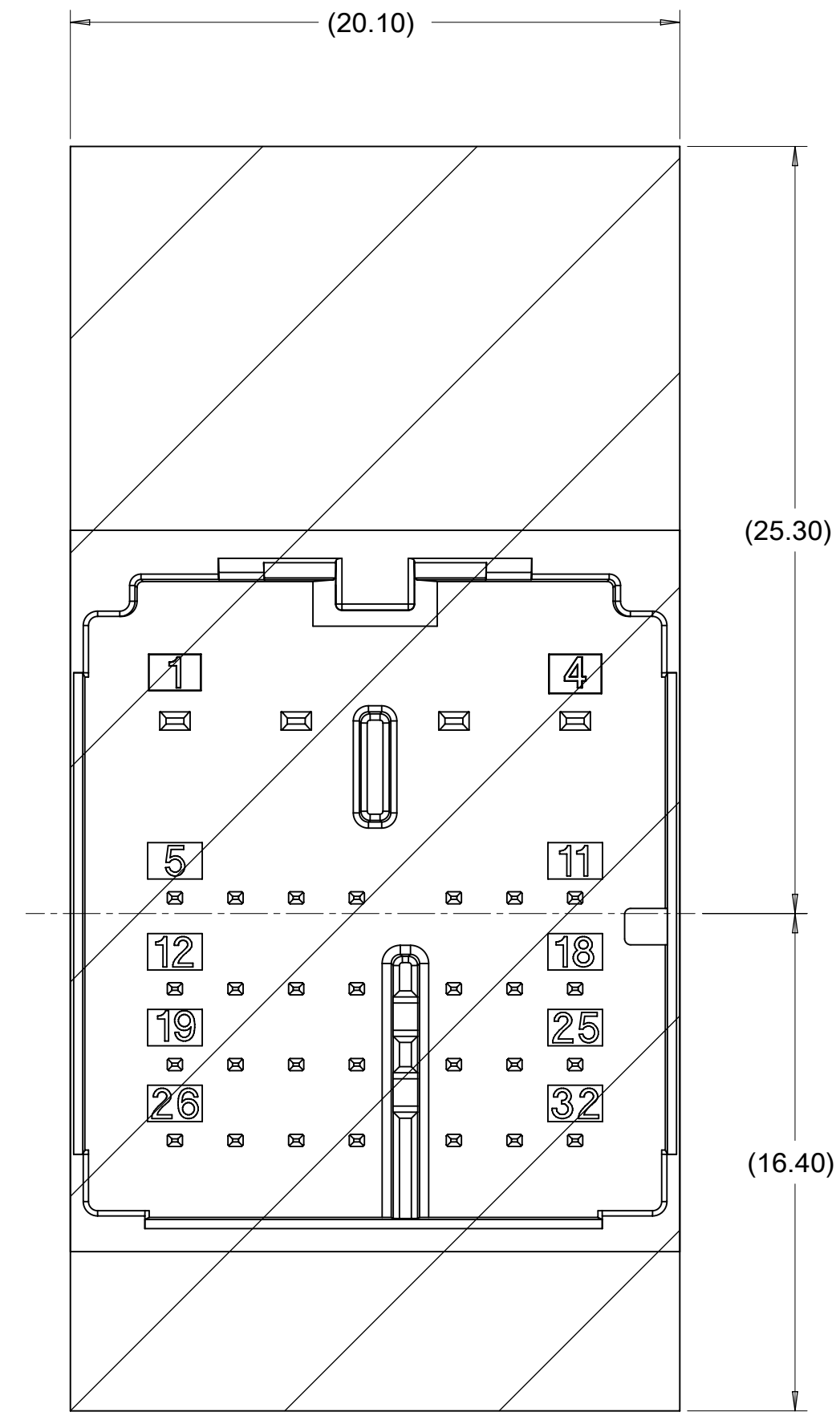
DETAIL 5
SCALE 10:1

SYMBOLS	THIS DRAWING CONTAINS INFORMATION THAT IS PROPRIETARY TO MOLEX ELECTRONIC TECHNOLOGIES, LLC AND SHOULD NOT BE USED WITHOUT WRITTEN PERMISSION		
DIMENSION UNITS	SCALE	CURRENT REV	DESC: ADDED DIMENSION
▽ = 0	mm	5:1	BALLOONS
▽ = 0	GENERAL TOLERANCES (UNLESS SPECIFIED)		
▽ = 6	ANGULAR TOL ± °		
▽ = 0	4 PLACES ±		
▽ = 0	3 PLACES ±		
▽ = 0	2 PLACES ±		
▽ = 0	1 PLACE ±		
▽ = 0	0 PLACES ±		
■ = 0	DRAFT WHERE APPLICABLE MUST REMAIN WITHIN DIMENSIONS		
▽ = 0	THIRD ANGLE PROJECTION	DRAWING	SERIES
		D-SIZE	160028
		EC NO: 602204	2018/08/02
		DRWN: JCONDON	2018/08/03
		CHK'D: JCONDON	2018/08/03
		APPR: MVANSLAMBROU	2018/08/03
		INITIAL REVISION:	
		DRWN: MYOUNG01	2013/11/14
		APPR: KDEKOSKI	2014/01/02
		DOCUMENT NUMBER	DOC TYPE DOC PART REVISION
		SD-160028-002	PSD 001 B1
		MATERIAL NUMBER	CUSTOMER
		GENERAL MARKET	SHEET NUMBER
			2 OF 3

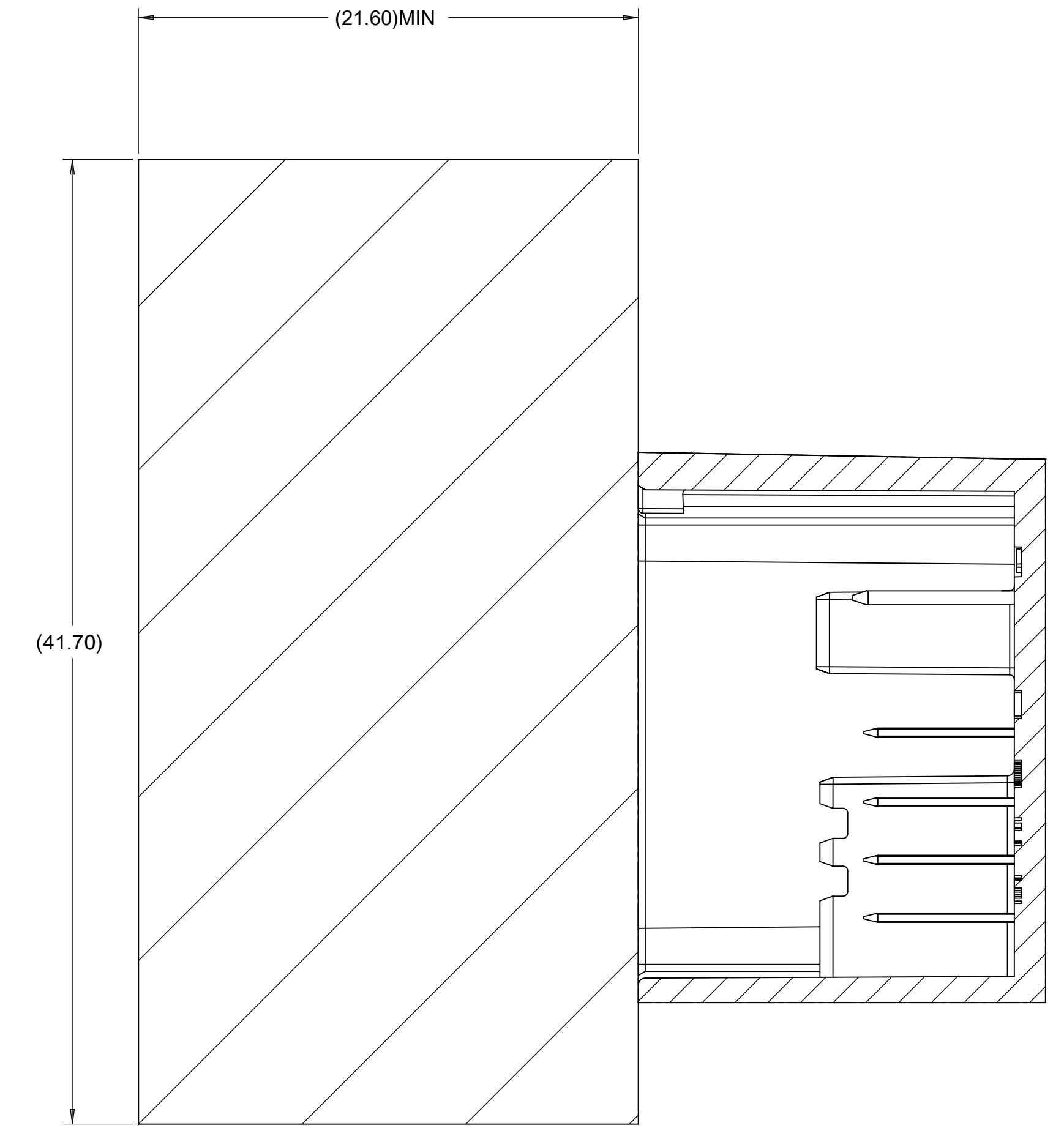
PACKAGE SPACE
FOR UNMATED
CONNECTOR



PACKAGE SPACE
FOR CONNECTOR



PACKAGE SPACE
FOR MATED
CONNECTOR
WITH COVER



SYMBOLS	THIS DRAWING CONTAINS INFORMATION THAT IS PROPRIETARY TO MOLEX ELECTRONIC TECHNOLOGIES, LLC AND SHOULD NOT BE USED WITHOUT WRITTEN PERMISSION		
	DIMENSION UNITS	SCALE	CURRENT REV DESC: ADDED DIMENSION BALLOONS
$\nabla = 0$	mm	5:1	
$\nabla = 0$	GENERAL TOLERANCES (UNLESS SPECIFIED)		
$\nabla = 0$	ANGULAR TOL	\pm °	
$\nabla = 0$	4 PLACES	\pm	EC NO: 602204
$\nabla = 0$	3 PLACES	\pm	DRWN: JCONDON 2018/08/02
$\nabla = 0$	2 PLACES	\pm	CHK'D: JCONDON 2018/08/03
$\nabla = 0$	1 PLACE	\pm	APPR: MVANSLAMBROU 2018/08/03
$\nabla = 0$	0 PLACES	\pm	INITIAL REVISION:
$\square = 0$	DRAFT WHERE APPLICABLE MUST REMAIN WITHIN DIMENSIONS		DRWN: MYOUNG01 2013/11/14
$\nabla = 0$	THIRD ANGLE PROJECTION	DRAWING	APPR: KDEKOSKI 2014/01/02
		D-SIZE	SERIES 160028
DOCUMENT STATUS		RELEASE DATE	DOCUMENT NUMBER
P1	2018/08/03 19:41:34	SD-160028-002	DOC TYPE DOC PART REVISION
		GENERAL MARKET	PSD 001 B1
		CUSTOMER	SHEET NUMBER
			3 OF 3