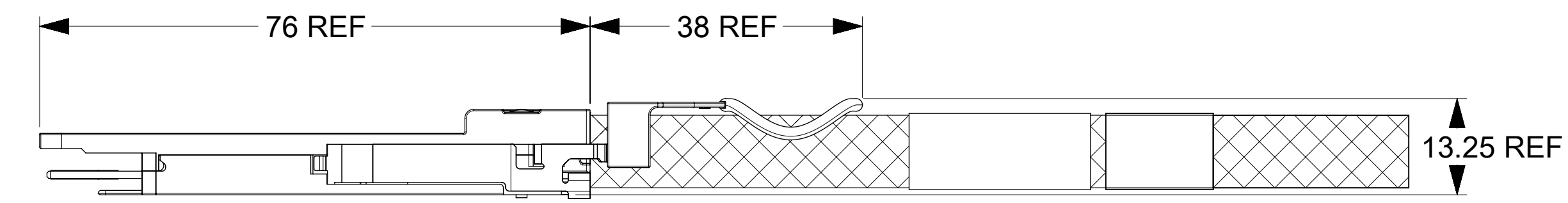
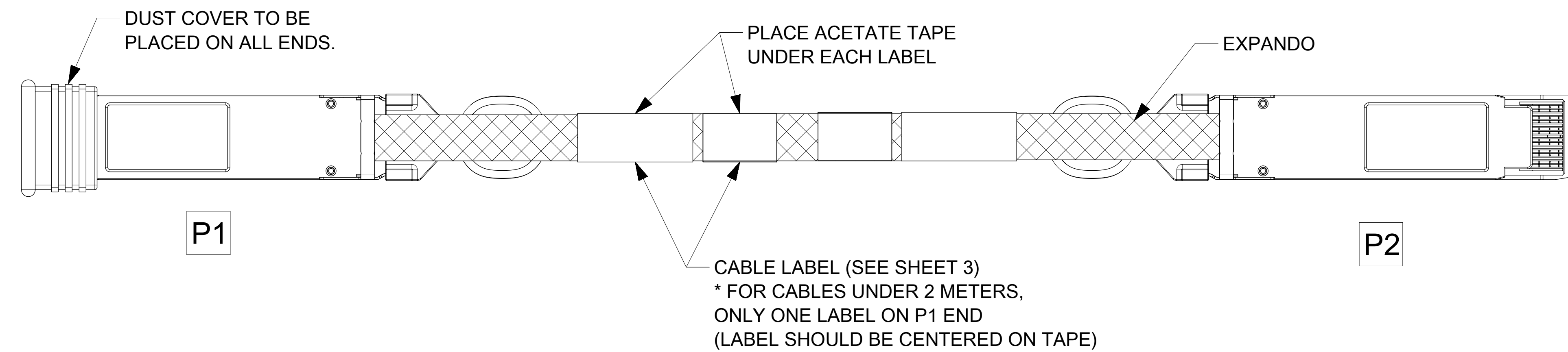


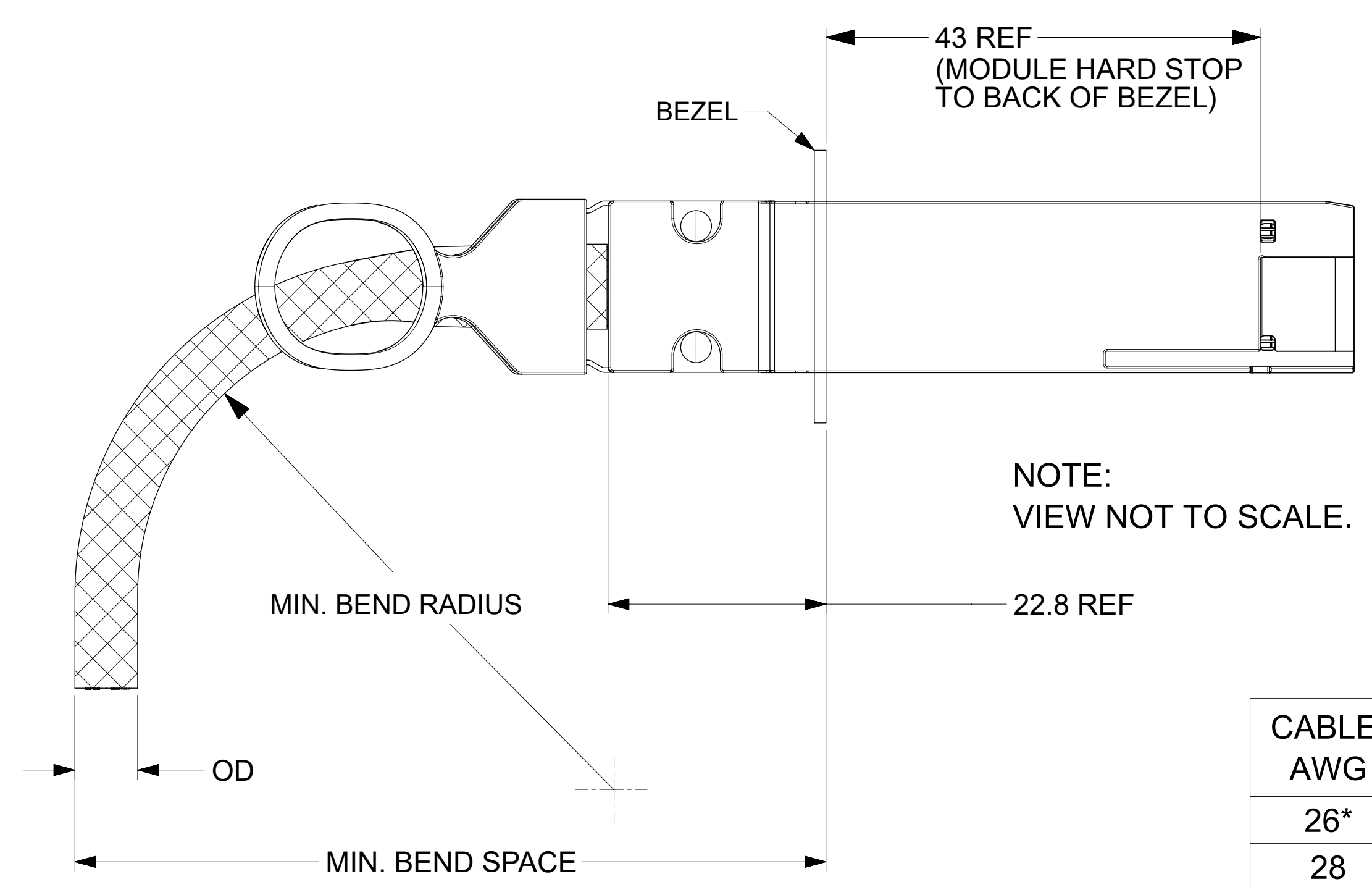
PCB VIEWING HOLES
 DETAIL A
 SCALE 5:1



- NOTES:**
- CABLE LENGTH DEPENDS ON WIRE GAUGE, DATA RATE, AND HOST BOARD DRIVER CAPABILITIES
 - MATERIALS:**
 BACKSHELLS - ZINC DIE CAST WITH BRIGHT NICKEL PLATING
 DELATCH - STAINLESS STEEL WITH OVERMOLDED NYLON
 RIVETS - STAINLESS STEEL
 - IMPEDANCE - 100 OHMS DIFFERENTIAL
 - BUNDLED CABLE RATED UL VW-1 FLAME PER UL STYLE 21479
 - EEPROM MAP AVAILABLE UPON REQUEST
 - RoHS COMPLIANT, NO EXEMPTIONS

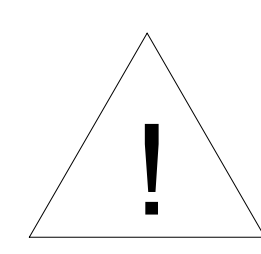
FUNCTIONAL SYMBOLS $F_A = 0$ $F_C = 0$ $F_P = 0$ DIVISIONAL SYMBOLS	THIS DRAWING CONTAINS INFORMATION THAT IS PROPRIETARY TO MOLEX ELECTRONIC TECHNOLOGIES, LLC AND SHOULD NOT BE USED WITHOUT WRITTEN PERMISSION		CURRENT REV DESC: SHEET3 : WIRING DIAGRAM UPDATE								
	DIMENSION UNITS mm	SCALE 2:1	GENERAL TOLERANCES (UNLESS SPECIFIED)								
	ANGULAR TOL $\pm 5.0^\circ$		EC NO: 651240 DRWN: KNAGANNA 2020/12/10 CHK'D: SCHANNARAYAN 2020/12/11 APPR: KNAGANNA 2020/12/14								
	4 PLACES \pm 3 PLACES \pm 2 PLACES ± 0.13 1 PLACE ± 0.25 0 PLACES \pm		INITIAL REVISION: DRWN: TPRATT 2016/11/08 APPR: CHIRSCHY 2016/11/10								
DRAFT WHERE APPLICABLE MUST REMAIN WITHIN DIMENSIONS		THIRD ANGLE PROJECTION	DRAWING D-SIZE	SERIES 201591	DOCUMENT NUMBER 2015911005	DOC TYPE PSD	DOC PART 000	REVISION T1	MATERIAL NUMBER SEE P/N TABLE	CUSTOMER GENERAL MARKET	SHEET NUMBER 1 OF 4

CABLE BEND RADIUS

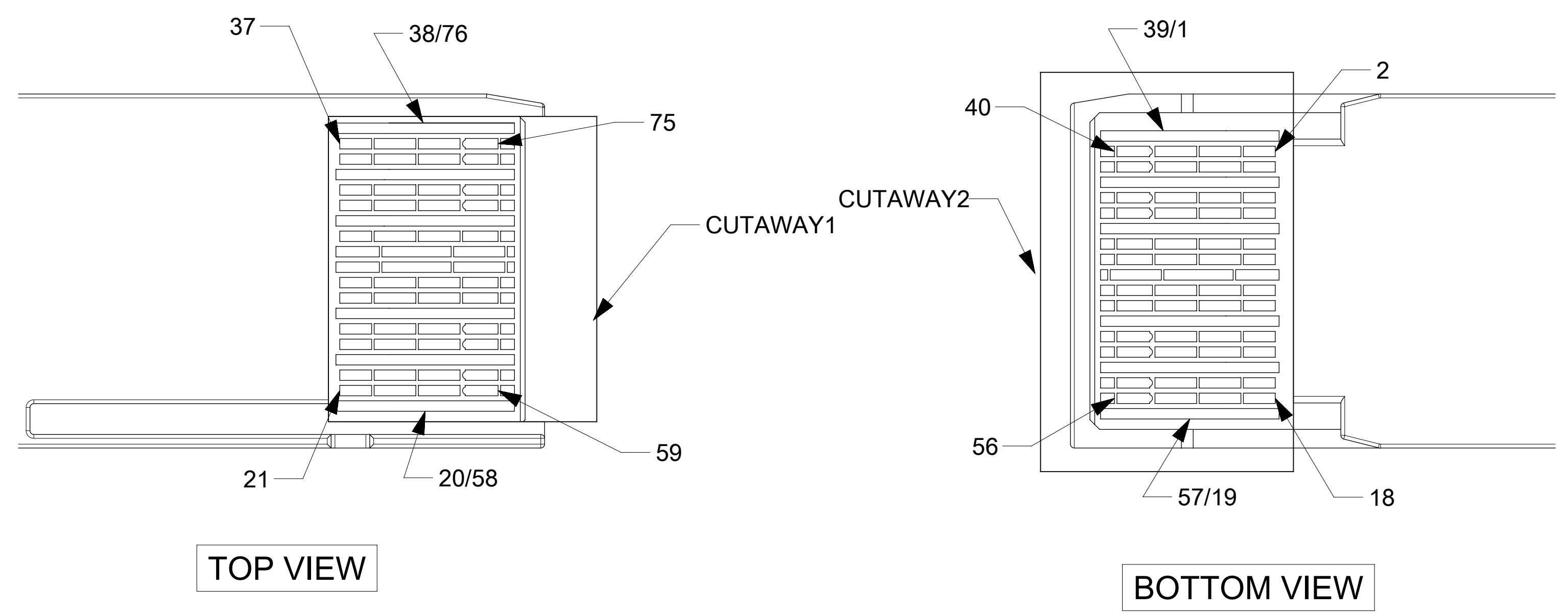


NOTE:
VIEW NOT TO SCALE.

CABLE AWG	OD (mm)	MIN BEND RADIUS (mm)	MIN BEND SPACE (mm)
26*	(13)	(65)	(101)
28	(11)	(55)	(89)
30	(9.4)	(45)	(77)



*MINIMUM BEND RADIUS PENDING QUALIFICATION. NUMBERS ABOVE ARE ESTIMATES AND SUBJECT TO CHANGE.



- NOTES:
- DC BLOCKING CAPS ON RECEIVE SIDE ONLY
 - CABLE COILED AND PACKAGED IN BEST FIT ESD BAG AND SEALED WITH ESD LABEL FOR SHIPPING

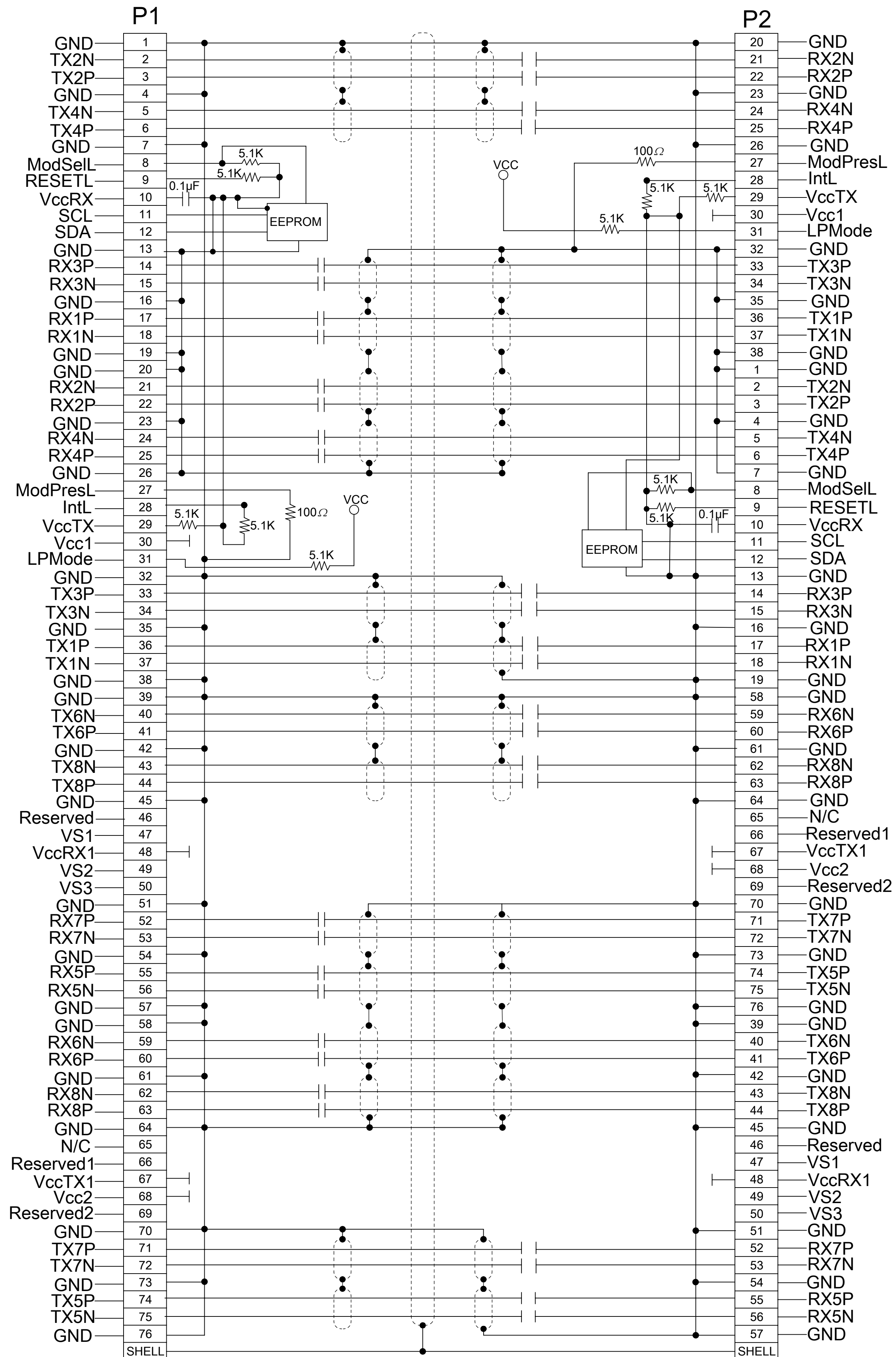
FUNCTIONAL SYMBOLS $F_A = 0$ $F_C = 0$ $F_D = 0$	THIS DRAWING CONTAINS INFORMATION THAT IS PROPRIETARY TO MOLEX ELECTRONIC TECHNOLOGIES, LLC AND SHOULD NOT BE USED WITHOUT WRITTEN PERMISSION		CURRENT REV DESC: SHEET3 : WIRING DIAGRAM UPDATE		
	DIMENSION UNITS mm	SCALE 20:1	EC NO: 651240 DRWN: KNAGANNA 2020/12/10 CHK'D: SCHANNARAYAN 2020/12/11 APPR: KNAGANNA 2020/12/14 INITIAL REVISION: DRWN: TPRATT 2016/11/08 APPR: CHIRSCHY 2016/11/10		
	GENERAL TOLERANCES (UNLESS SPECIFIED)				
	ANGULAR TOL $\pm 5.0^\circ$				
4 PLACES	\pm				
3 PLACES	\pm	DOCUMENT NUMBER: 2015911005 DOC TYPE: PSD DOC PART: 000 REVISION: T1			
2 PLACES	± 0.13	MATERIAL NUMBER: SEE P/N TABLE CUSTOMER: GENERAL MARKET SHEET NUMBER: 2 OF 4			
1 PLACE	± 0.25				
0 PLACES	\pm	DRAFT WHERE APPLICABLE MUST REMAIN WITHIN DIMENSIONS			
DIVISIONAL SYMBOLS		THIRD ANGLE PROJECTION	DRAWING: D-SIZE	SERIES: 201591	

molex

QSFP-DD TO QSFP-DD 56G PASSIVE CABLE ASY

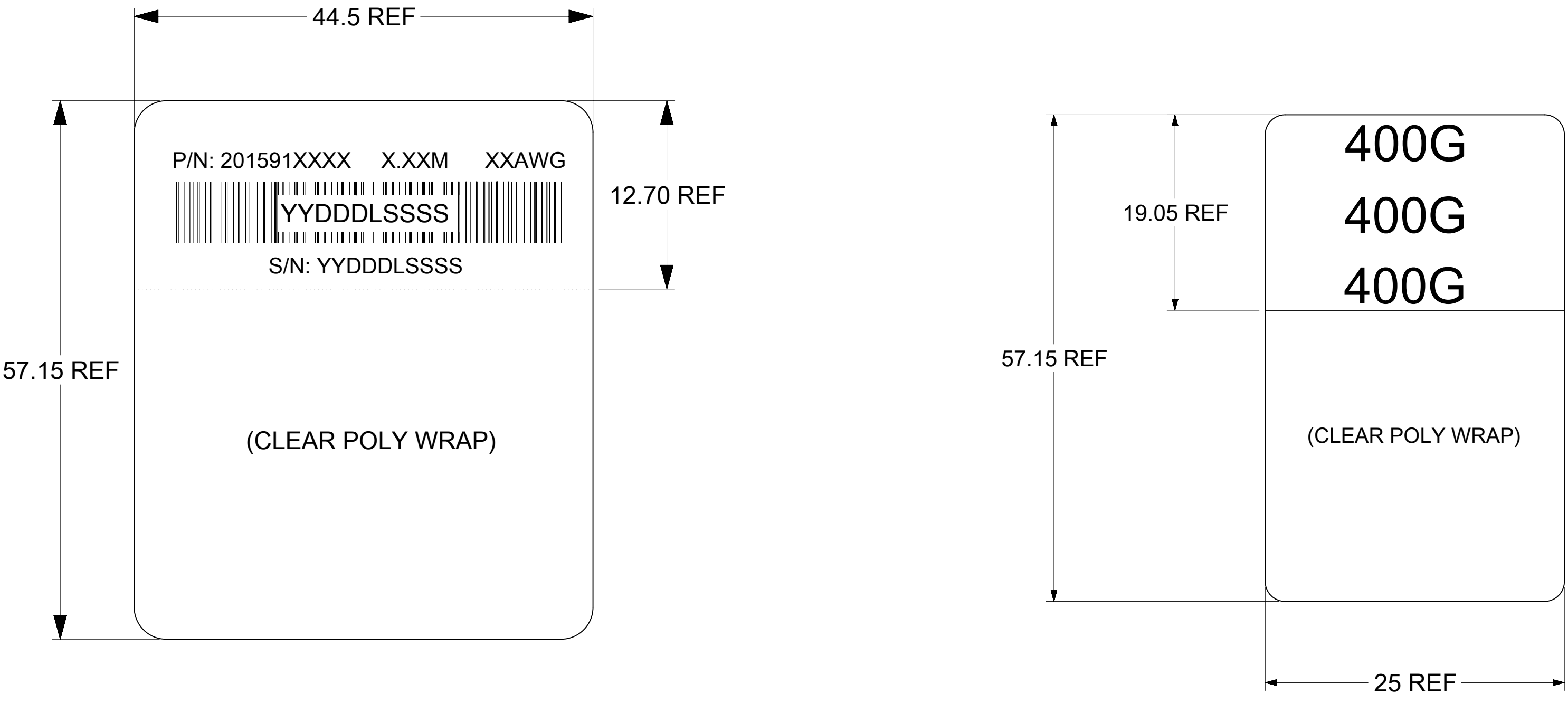
PRODUCT CUSTOMER DRAWING

WIRING DIAGRAM



FUNCTIONAL SYMBOLS	THIS DRAWING CONTAINS INFORMATION THAT IS PROPRIETARY TO MOLEX ELECTRONIC TECHNOLOGIES, LLC AND SHOULD NOT BE USED WITHOUT WRITTEN PERMISSION			CURRENT REV DESC: SHEET3 : WIRING DIAGRAM		
$\nabla_A = 0$	DIMENSION UNITS	SCALE	<div style="font-size: 24px; font-weight: bold; margin-bottom: 10px;">molex</div> <div style="font-weight: bold; margin-bottom: 5px;">QSFP-DD TO QSFP-DD 56G PASSIVE CABLE ASY</div> <div style="font-weight: bold; margin-bottom: 5px;">PRODUCT CUSTOMER DRAWING</div> <div style="font-size: 12px; margin-bottom: 5px;">DOCUMENT NUMBER</div> <div style="font-size: 18px; font-weight: bold; margin-bottom: 5px;">2015911005</div> <div style="font-size: 12px; margin-bottom: 5px;">DOC TYPE</div> <div style="font-weight: bold; margin-bottom: 5px;">PSD</div> <div style="font-size: 12px; margin-bottom: 5px;">DOC PART</div> <div style="font-weight: bold; margin-bottom: 5px;">000</div> <div style="font-size: 12px; margin-bottom: 5px;">REVISION</div> <div style="font-weight: bold; margin-bottom: 5px;">T1</div>			
$\nabla_C = 0$	GENERAL TOLERANCES (UNLESS SPECIFIED)					
$\nabla_P = 0$	ANGULAR TOL $\pm 5.0^\circ$					
4 PLACES \pm		3 PLACES \pm				
2 PLACES ± 0.13		1 PLACE ± 0.25	EC NO: 651240 DRWN: KNAGANNA 2020/12/10 CHK'D: SCHANNARAYAN 2020/12/11 APPR: KNAGANNA 2020/12/14 INITIAL REVISION: DRWN: TPRATT 2016/11/08 APPR: CHIRSCHY 2016/11/10			
0 PLACES \pm		DRAFT WHERE APPLICABLE MUST REMAIN WITHIN DIMENSIONS				
THIRD ANGLE PROJECTION		DRAWING				
D-SIZE		SERIES				
MATERIAL NUMBER		CUSTOMER	SHEET NUMBER			
SEE P/N TABLE		GENERAL MARKET	3 OF 4			

LABEL DETAILS



P/N: 201591XXXX - MOLEX PART NUMBER (SEE P/N TABLE)

X.XXM - CABLE LENGTH IN METERS (EXAMPLES - 0.5M, 1.0M, 1.5M)
SEE P/N TABLE FOR THE NUMBER OF DIGITS

XXAWG - CABLE SIZE IN AWG

S/N: YYDDLSSSS - SERIAL NUMBER
 YY = YEAR, THE LAST 2 DIGITS OF YEAR
 DDD = DAY OF THE YEAR
 L = LOCATION
 1 - USA
 2 - MEXICO
 3 - CHINA
 4 - PHILIPPINES
 SSSS = SERIAL NUMBER (0001-9999)

MOLEX P/N	LENGTH (M)	AWG
2015911005*	0.5M +/- 0.05M	30
2015911007	0.75M +/- 0.05M	30
2015911010	1.0M +/- 0.05M	30
2015911012	1.25M +/- 0.05M	30
2015911015	1.5M +/- 0.08M	30
2015913005*	0.5M +/- 0.05M	28
2015913010	1.0M +/- 0.05M	28
2015913012	1.25M +/- 0.05M	28
2015913015	1.5M +/- 0.08M	28
2015913017	1.75M +/- 0.08M	28
2015913020	2.0M +/- 0.08M	28
2015913025	2.5M +/- 0.08M	28
2015913252	2.5M +/- 0.08M	26
2015913027	2.75M +/- 0.08M	26
2015913030	3.0M +/- 0.08M	26

*CABLES MAY NOT MEET ALL IEEE 802.3cd 56G PAM4 PARAMETERS

FUNCTIONAL SYMBOLS FA = 0 FC = 0 FP = 0 DIVISIONAL SYMBOLS	THIS DRAWING CONTAINS INFORMATION THAT IS PROPRIETARY TO MOLEX ELECTRONIC TECHNOLOGIES, LLC AND SHOULD NOT BE USED WITHOUT WRITTEN PERMISSION		CURRENT REV DESC: SHEET3 : WIRING DIAGRAM UPDATE		 QSFP-DD TO QSFP-DD 56G PASSIVE CABLE ASY PRODUCT CUSTOMER DRAWING	
	DIMENSION UNITS: mm SCALE: 1:1 GENERAL TOLERANCES (UNLESS SPECIFIED) ANGULAR TOL ± 5.0°	EC NO: 651240 DRWN: KNAGANNA 2020/12/10 CHK'D: SCHANNARAYAN 2020/12/11 APPR: KNAGANNA 2020/12/14		DOCUMENT NUMBER: 2015911005 DOC TYPE: PSD DOC PART: 000 REVISION: T1		
	4 PLACES ± 3 PLACES ± 2 PLACES ± 0.13 1 PLACE ± 0.25 0 PLACES ±	INITIAL REVISION: DRWN: TPRATT 2016/11/08 APPR: CHIRSCHY 2016/11/10		MATERIAL NUMBER: SEE P/N TABLE CUSTOMER: GENERAL MARKET		
	DRAFT WHERE APPLICABLE MUST REMAIN WITHIN DIMENSIONS	THIRD ANGLE PROJECTION 	DRAWING: D-SIZE SERIES: 201591	SHEET NUMBER: 4 OF 4		