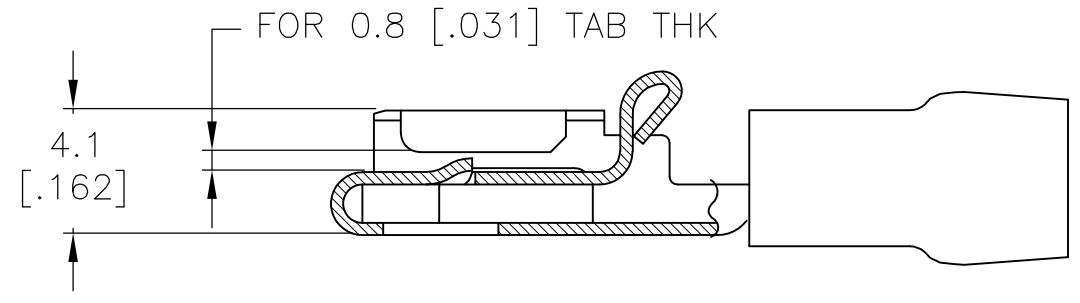
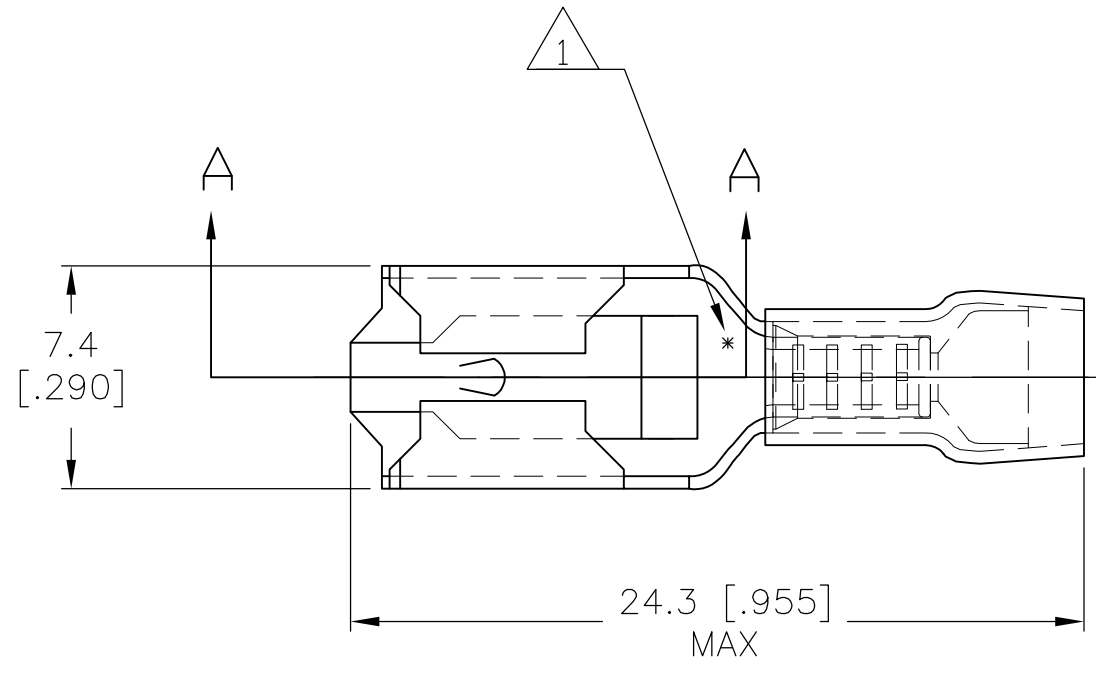


THIS DRAWING IS UNPUBLISHED. RELEASED FOR PUBLICATION  
 © COPYRIGHT - By - ALL RIGHTS RESERVED.

LOC	DIST	REVISIONS					
		P	LTR	DESCRIPTION	DATE	DWN	APVD
G	02		E5	REVISED PER ECO-12-016518	13SEP12	KH	DR



SECTION A-A

- △1 ASTERISK \* FOR PHOS BRONZE ITEMS ONLY.
- △2 TAPE-MOUNTED VERSION OF 165536-1
- △3 BODY - BRASS PER ASTM B36  
SLEEVE - COPPER PER ASTM B152  
INSULATION - NYLON
- △4 BODY - TIN PLATE PER ASTM B545  
SLEEVE - TIN PLATE PER ASTM B545  
INSULATION - COLOR - BLUE
- 5 90°C MAX OPERATING TEMP
- 6 300 VOLT MAX
- 7 NOTE DELETED.

FINISH	MATERIAL	PART No.
△2 TIN PLATED	BRASS	2-165536-2
TIN PLATED	PHOS BRONZE △1	165536-2
TIN PLATED	BRASS	165536-1

THIS DRAWING IS A CONTROLLED DOCUMENT.		DWN jr_ruth 15JAN07	<b>TE Connectivity</b>													
DIMENSIONS: mm [INCHES]		CHK T MICHELUTTI 15JAN07			NAME											
TOLERANCES UNLESS OTHERWISE SPECIFIED:		APVD T MICHELUTTI 15JAN07	RECEPTACLE, 6.35 [.250] SERIES, POSITIVE-LOCK, PIDG, WIRE SIZE: 1.5-2.5MM2													
<table border="0"> <tr><td>0 PLC</td><td>± -</td></tr> <tr><td>1 PLC</td><td>± -</td></tr> <tr><td>2 PLC</td><td>± -</td></tr> <tr><td>3 PLC</td><td>± 0.25 [.010]</td></tr> <tr><td>4 PLC</td><td>± -</td></tr> <tr><td>ANGLES</td><td>± 5°</td></tr> </table>		0 PLC	± -	1 PLC	± -	2 PLC	± -	3 PLC	± 0.25 [.010]	4 PLC	± -	ANGLES	± 5°	PRODUCT SPEC	SIZE	
0 PLC	± -															
1 PLC	± -															
2 PLC	± -															
3 PLC	± 0.25 [.010]															
4 PLC	± -															
ANGLES	± 5°															
MATERIAL △3		APPLICATION SPEC	CAGE CODE	DRAWING NO												
FINISH △4		WEIGHT -	A300779	C-165536												
CUSTOMER DRAWING			RESTRICTED TO	SCALE 4:1												
			SHEET 1 OF 1	REV E5												