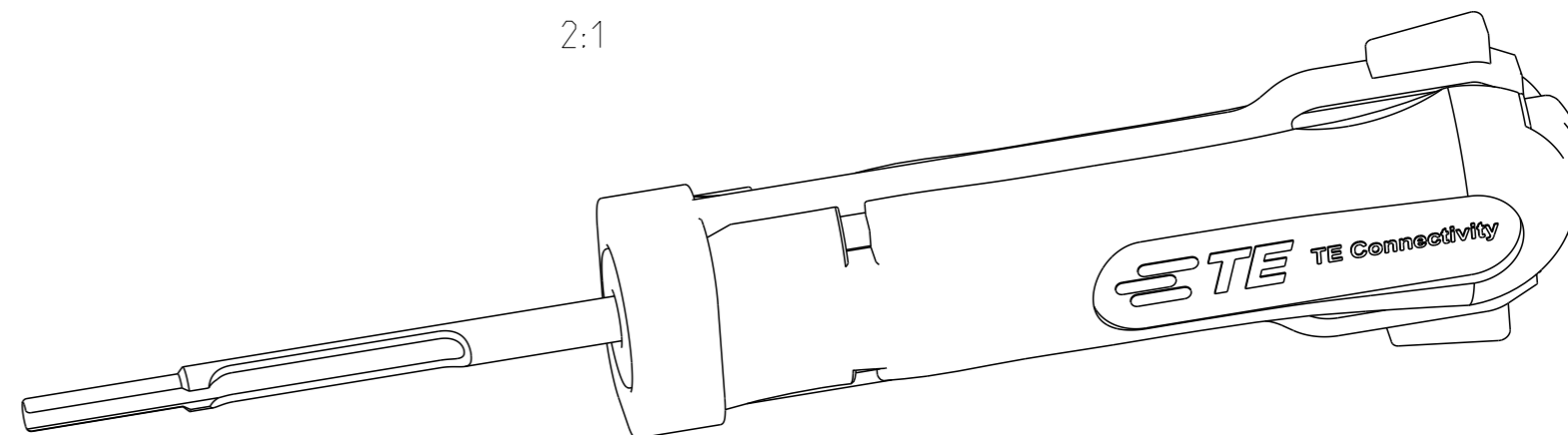
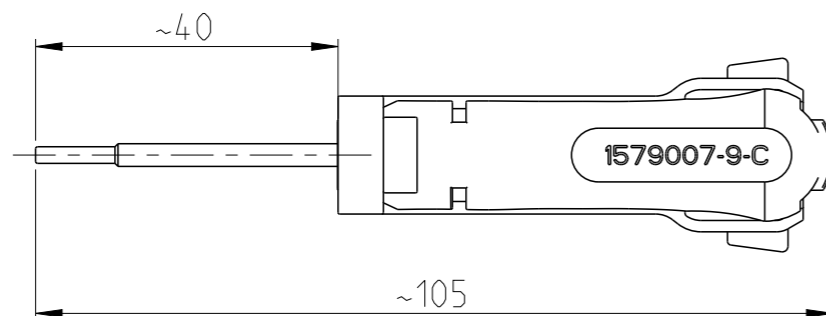
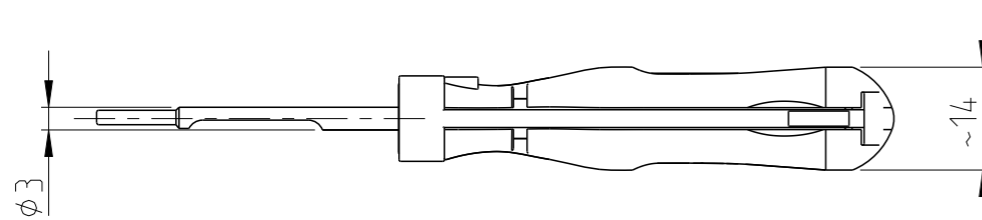
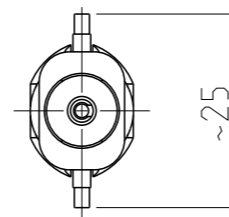
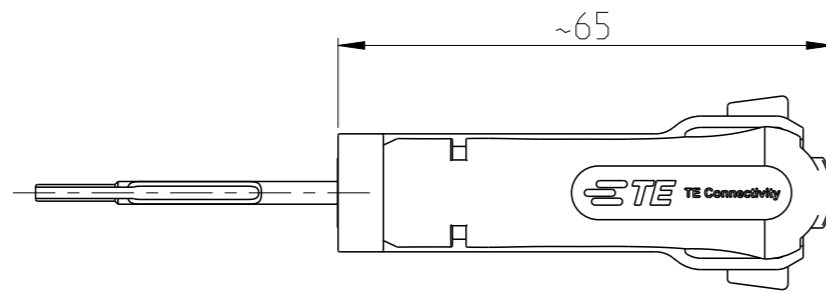


REVISIONS

P	LTR	DESCRIPTION	DATE	DWN	APVD
	C1	ECR-17-007748	30MAY2017	KH	BM
	C2	ECR-20-008954	29JUN2020	PNT	GS



APPLICATION RANGE / Anwendungsbereich:

COSI PIN CONTACT HD20 DF, 166053-1  
 24-20 AWG  
 24-20 AWG HD-20 SOCKET 166051-1  
 SOCKET HOUSING HD

THIS DRAWING IS A CONTROLLED DOCUMENT.		DWN J.ZAJICEK 02APR2003			
DIMENSIONS: mm		CHK J.ZAJICEK 28APR2004			
TOLERANCES UNLESS OTHERWISE SPECIFIED:		APVD J.ZAJICEK 28APR2004	NAME EXTRACTION TOOL Entriegelungswerkzeug		
		PRODUCT SPEC	RESTRICTED TO		
MATERIAL		APPLICATION SPEC	SIZE A3	CAGE CODE 00779	DRAWING NO C-1579007-9
FINISH		WEIGHT 0.009	SCALE 1:1		
		CUSTOMER DRAWING	SHEET 1 OF 1	REV C2	