

6

5

4

3

2

1

E

E

D

D

C

C

B

B

A

A

103.5 FT.  
REFERENCE

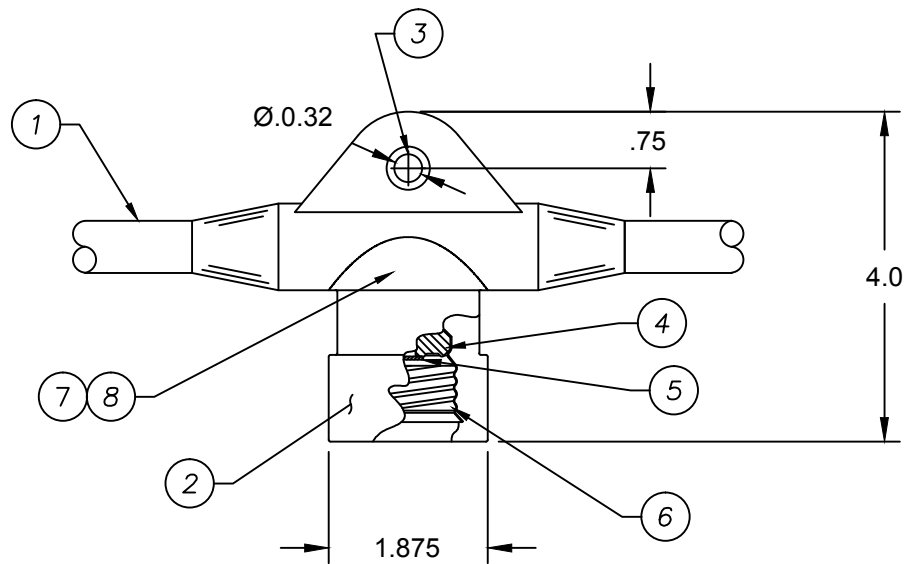
15 FT. ± 6 IN.  
LEAD

1 FT. ± 2.0 IN.  
88 PLACES

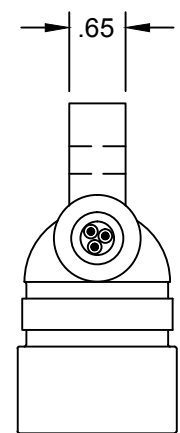
6 IN.  
TAIL

[QTY-89] 323 MOLDED SOCKETS  
COLOR: BLACK

#12-3 SOOW CORD  
COLOR: BLACK



323 DETAIL



ITEM	DESCRIPTION	MATERIAL
1	#12-3 BLACK CABLE	SOOW/COPPER
2	MOLDED SOCKETS BLACK	NITRILE/PVC
3	EYELET	BRASS
4	BUTTON WHITE	PORCELAIN
5	RIVET	BRASS
6	SCREWSHELL	COOPER
7	1 CONDUCTOR WIRE BLACK	NEOPRENE
8	1 CONDUCTOR WIRE WHITE	NEOPRENE

CUSTOMER APPROVAL DRWG  
 EC NO: IFC2014-0028  
 DRWN: HRUIZ01 2013/07/02  
 CHKD: HKNEELAN  
 APPR: JFMURPHY 2014/01/28

QUALITY SYMBOLS  
 ▽=0  
 ▽C=0

GENERAL TOLERANCES  
(UNLESS SPECIFIED)

	mm	INCH
4 PLACES	±---	±---
3 PLACES	±---	±.005
2 PLACES	±---	±.010
1 PLACE	±---	±.020

ANGULAR ±1/2°

DRAFT WHERE APPLICABLE  
MUST REMAIN  
WITHIN DIMENSIONS

DIMENSION STYLE  
INCH

DRAWN BY DATE  
HRUIZ01 2013/07/02

CHECKED BY DATE  
HKNEELAN 2013/07/02

APPROVED BY DATE  
JFMURPHY 2014/01/28

MATERIAL NO.  
130106-0180

SIZE  
A

SCALE  
NTS

DESIGN UNITS  
INCH

THIRD ANGLE  
PROJECTION

TITLE  
STRNGLGHT 103.5' ALL BLK  
(89) 323 SCKTS, 1' SPNGS  
15' LEADER AND 6" TAIL

Molex MOLEX INCORPORATED

DOCUMENT NO.  
SD-130106-039

SHEET NO.  
1 OF 1

THIS DRAWING CONTAINS INFORMATION THAT IS PROPRIETARY TO MOLEX INCORPORATED AND SHOULD NOT BE USED WITHOUT WRITTEN PERMISSION

6

5

4

3

2

1