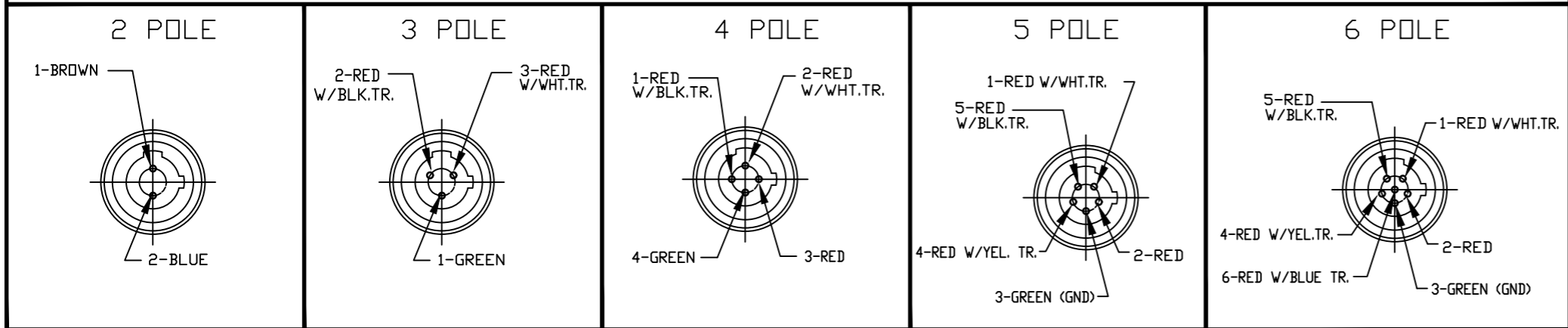


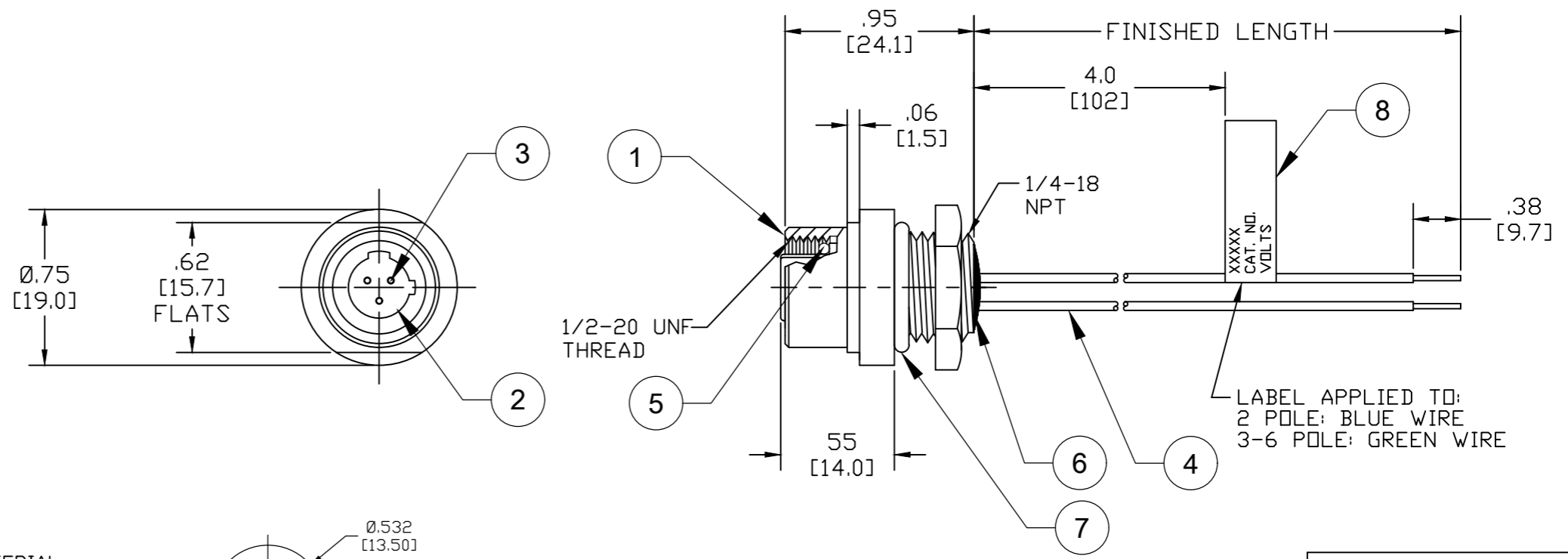
FRONT VIEW — FEMALE INSERT WIRING COLOR CODE



CABLE LENGTH TOLERANCES

>.3M [1FT]:	+19mm-0 [+1.75in-0]
.3 - .9M [1 - 3FT]:	+44.5mm-0 [+1.75in-0]
.9 - 1.8M [3 - 6FT]:	+55.6mm-0 [+2.19in-0]
1.8 - 3.7M [6 - 12FT]:	+88.9mm-0 [+3.50in-0]
3.7 - 7.3M [12 - 24FT]:	+165.1mm-0 [+6.50in-0]
7.3-14.6M [24 - 48FT]:	+317.5mm-0 [+12.50in-0]
14.6 - 30.5M [48-100FT]:	+622.3mm-0 [+24.50in-0]
OVER 30M [100FT]	+2% OF FINISHED LENGTH

- NOTES:
1. MATERIAL: AS NOTED
 2. FINISH: AS NOTED
 3. ELECTRICAL:
VOLTAGE: 250V AC/DC
CURRENT: 4A
 4. TEMP RATING: -25°C TO +105°C
 5. PROTECTION: IP67 (WHEN MATED)
 6. COUPLING THREAD: AS NOTED
 7. UL LISTED FILE: E152210
CSA CERTIFIED FILE: LR6837
 8. ALL DIMS ARE FOR REFERENCE UNLESS TOLERANCED OR NOTED OTHERWISE



PART NUMBER LEGEND

7R2A00A19A1201

POLES: 2-6

RECEPTACLE SHELL MATERIAL
BLANK= ALUM, CLEAR ANODIZE
01: ST. STEEL 303, PASSIVATED

FINISHED LENGTH:
A120= 12 IN.
F020= 2 FEET
F100= 10 FEET

REF. KNOCKOUT HOLE

POLES	PART NO.	ENGINEERING NO.	FINISHED LENGTH	MATERIAL	FINISH
2	1200740014	7R2A00A19A120	12.0 IN. [305MM]	ALUMINUM	CLEAR ANODIZE
3	1200740059	7R3A00A19A1201	3.0 FT [0.9M]	303SS	PASSIVATED
4	1200740122	7R4A00A19A120	12.0 IN. [305MM]	ALUMINUM	CLEAR ANODIZE
5	1200740181	7R5A00A19F030	3.0 FT [0.9M]	ALUMINUM	CLEAR ANODIZE
6	1200740239	7R6A00A19F0601	6.0 FT [1.8M]	303SS	PASSIVATED

ITEM	DESCRIPTION	MATERIAL	FINISH	
8	FLAG LABEL	VINYL	BLACK/YELLOW	
7	O-RING (PANEL SEAL)	NITRILE	BLACK	
6	POTTING MATERIAL	EPOXY		
5	O-RING (MATING SEAL)	NITRILE	RED	
4	WIRE 22AWG (UL1061)	PVC INSULATION	SEE FACE VIEW	
3	CONTACT SOCKET	COPPER ALLOY	GOLD PLATED	
2	FEMALE INSERT	NYLON	BLACK	
1	RECEPTACLE SHELL	SEE P/N CHART	SEE P/N CHART	
	ITEM	DESCRIPTION	MATERIAL	FINISH

THIS DRAWING CONTAINS INFORMATION THAT IS PROPRIETARY TO MOLEX ELECTRONIC TECHNOLOGIES, LLC AND SHOULD NOT BE USED WITHOUT WRITTEN PERMISSION

SYMBOLS: 0 = 0, 0 = 0, 0 = 0, 0 = 0, 0 = 0, 0 = 0, 0 = 0, 0 = 0, 0 = 0, 0 = 0

DIMENSION UNITS: INCH/MM, SCALE: 1:1

GENERAL TOLERANCES (UNLESS SPECIFIED): 4 PLACES ±--- ±---, 3 PLACES ±--- ±---, 2 PLACES ±--- ±---, 1 PLACE ±--- ±---, 0 PLACES ±--- ±---

ANGULAR TOL ± --- °

DRAFT WHERE APPLICABLE MUST REMAIN WITHIN DIMENSIONS

THIRD ANGLE PROJECTION

DRAWING: B-SIZE, SERIES: 120074

CURRENT REV DESC: RELEASED

EC NO: 629085, DRWN: RSTONE, 2019/11/25, CHK'D: MZIELINSKI, 2019/12/12, APPR: BWOODMAN, 2020/01/02

INITIAL REVISION: DRWN: RSTONE, 2019/11/25, APPR: BWOODMAN, 2020/01/02

DOCUMENT NUMBER: 1200740014, DOC TYPE: PSD, DOC PART: 000, REVISION: A

MATERIAL NUMBER: ---, CUSTOMER: ---, SHEET NUMBER: 1 OF 1

molex

MICRO-CHANGE FEMALE RECEPTACLE
2-6 POLE, DUAL KEY, 22AWG, AC COLOR

PRODUCT CUSTOMER DRAWING