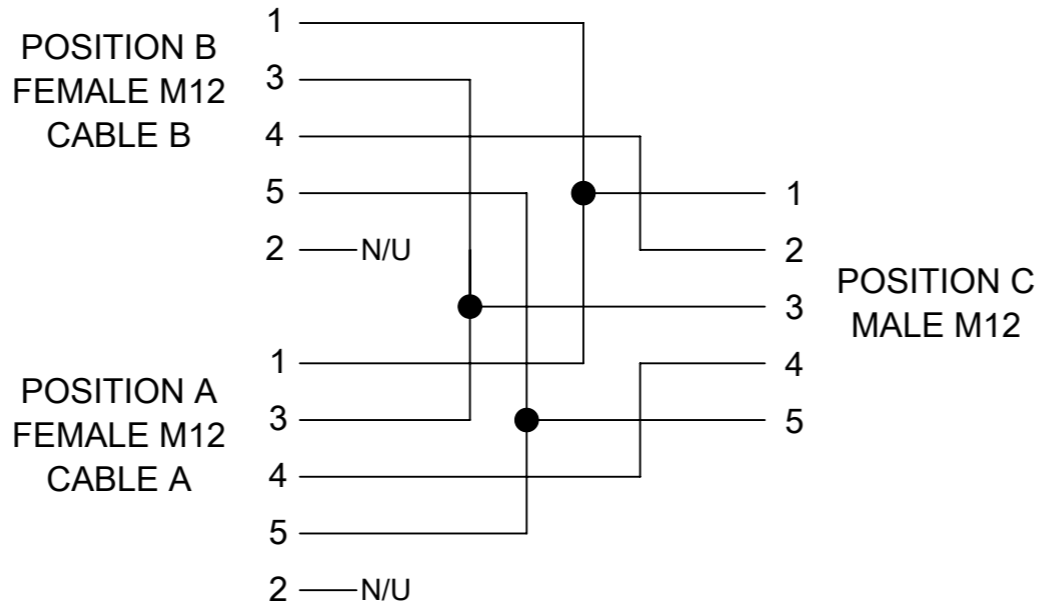


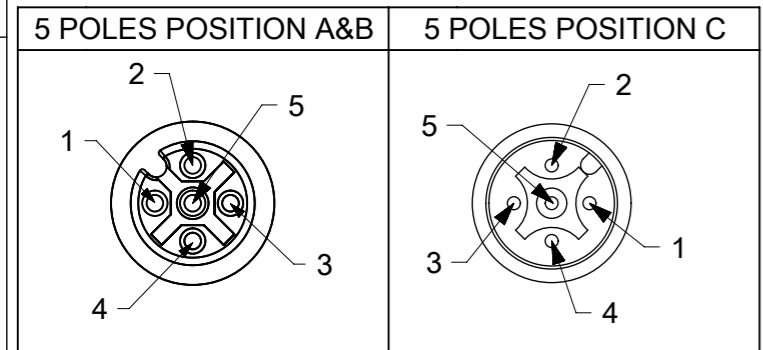
VIEW FROM THE FRONT SIDE

VIEW FROM THE FRONT SIDE

WIRING DIAGRAM



CONTACT POSITION FRONT VIEW:



5 POLES POSITION A & B		5 POLES POSITION C	
PIN	WIRE	PIN	WIRE
1	BROWN	1	BROWN CABLE A+B
2	-	2	BLACK CABLE B
3	BLUE	3	BLUE CABLE A+B
4	BLACK	4	BLACK CABLE A
5	GREY	5	GREY CABLE A+B

CODING REQUIRED TO IEC 61076-2-101

BILL OF MATERIALS

ITEM	QTY.	DESCRIPTION	MATERIAL	FINISH
13	5	CONTACT M12 MALE	BRASS	SELECTIVE GOLD OVER NICKEL
12	1	INSERT MALE BLACK	PUR	---
11	1	COUPLING NUT MALE	BRASS	NICKEL PLATED
10	1	CENTRE SPACER ILS GREY	PVC	---
9	-	OVERMOULDING BLACK	PVC	---
8	2	IDENTIFICATION LABEL	---	---
7	1	LABEL YELLOW	VINYL	---
6	-	CABLE	SEE SHEET 2	---
5	-	OVERMOULDING BLACK	TPU	---
4	2	COUPLING NUT FEMALE	BRASS	NICKEL PLATED
3	2	INSERT FEMALE BLACK	PUR	---
2	2	ORING RED	FPM	---
1	10	CONTACT M12 FEMALE	BRASS	SELECTIVE GOLD OVER NICKEL

<p>SYMBOLS</p> <p>▽ = 0 DIMENSION UNITS</p> <p>▽ = 0 SCALE</p> <p>▽ = 0 GENERAL TOLERANCES (UNLESS SPECIFIED)</p> <p>▽ = 0 ANGULAR TOL ± 1.0°</p> <p>▽ = 0 4 PLACES ±</p> <p>▽ = 0 3 PLACES ±</p> <p>▽ = 0 2 PLACES ± 0.05</p> <p>▽ = 0 1 PLACE ± 0.1</p> <p>▽ = 0 0 PLACES ± 0.2</p> <p>■ = 0 DRAFT WHERE APPLICABLE MUST REMAIN WITHIN DIMENSIONS</p>	<p>THIS DRAWING CONTAINS INFORMATION THAT IS PROPRIETARY TO MOLEX ELECTRONIC TECHNOLOGIES, LLC AND SHOULD NOT BE USED WITHOUT WRITTEN PERMISSION</p>		<p>CURRENT REV DESC:</p>		
	<p>mm</p> <p>3:2</p>	<p>EC NO: 608609</p> <p>DRWN: MMATLA 2018/11/26</p> <p>CHK'D: DSTACHOWIAK 2018/12/04</p> <p>APPR: DSTACHOWIAK 2018/12/04</p>		<p>ILS 5P MM ST / 2XFE ST XM WSOR</p>	
	<p>INITIAL REVISION:</p> <p>DRWN: APAWLAK01 2016/05/20</p> <p>APPR: MIWASIECZKO 2016/06/15</p>		<p>PRODUCT CUSTOMER DRAWING</p>		
	<p>THIRD ANGLE PROJECTION</p> <p>DRAWING: A3-SIZE</p> <p>SERIES: 120068</p>		<p>DOCUMENT NUMBER: 1200688232</p> <p>DOC TYPE: PSD</p> <p>DOC PART: 000</p> <p>REVISION: A1</p>		
<p>DOCUMENT STATUS: P1</p> <p>RELEASE DATE: 2018/12/04</p> <p>14:06:07</p>		<p>MATERIAL NUMBER: SEE PART LIST</p> <p>CUSTOMER: GENERAL MARKET</p> <p>SHEET NUMBER: 1 OF 2</p>			

