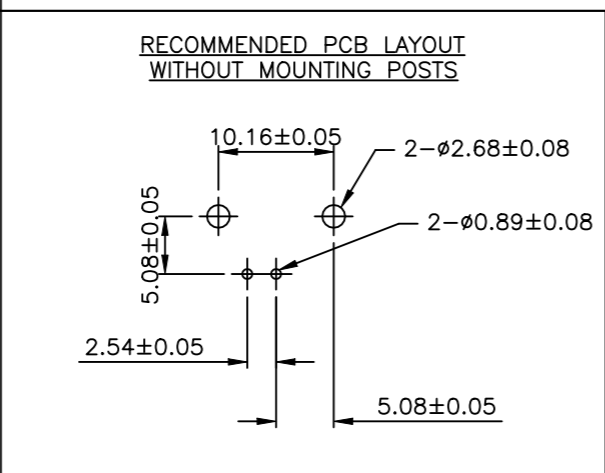
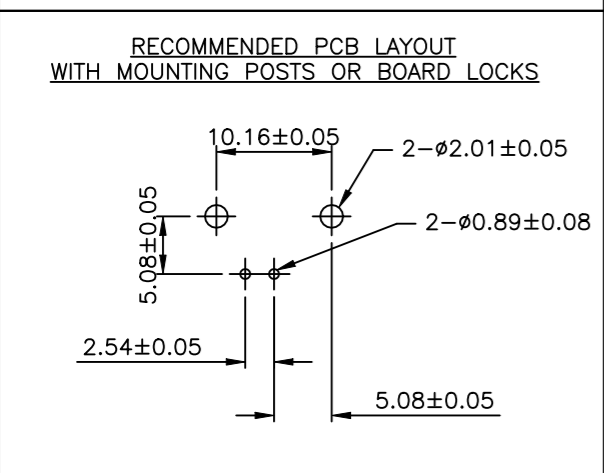
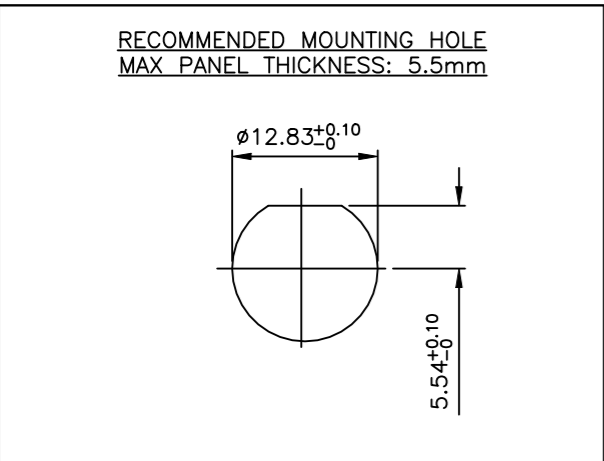
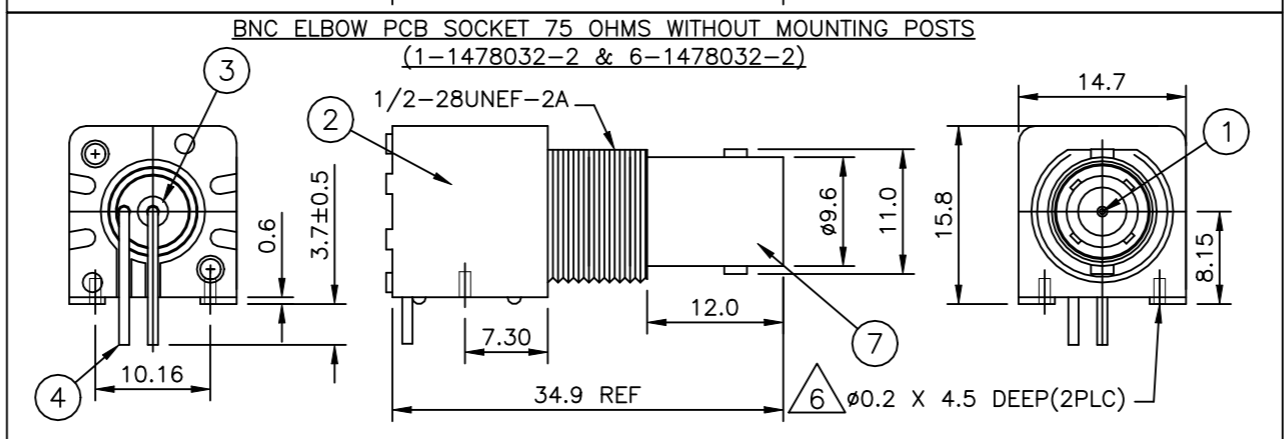
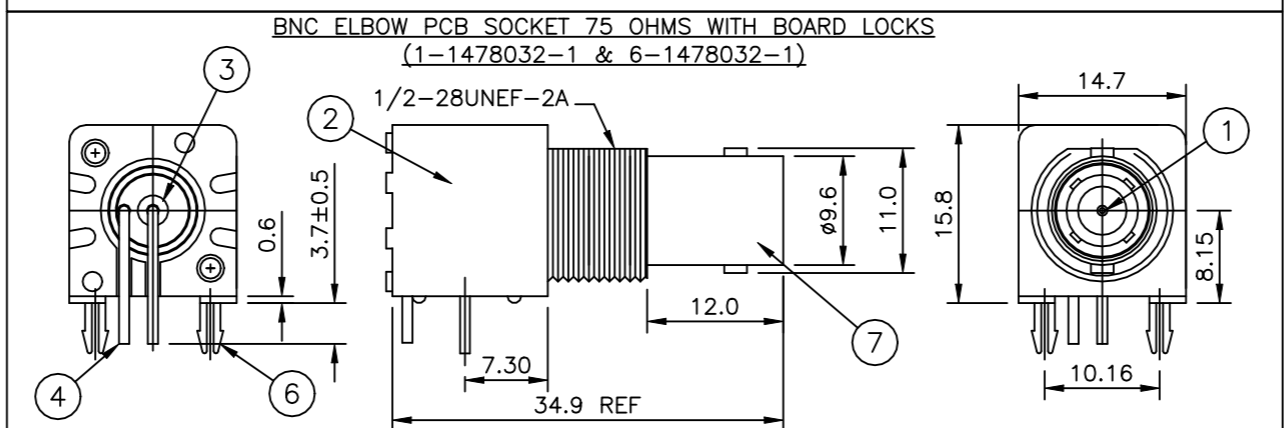
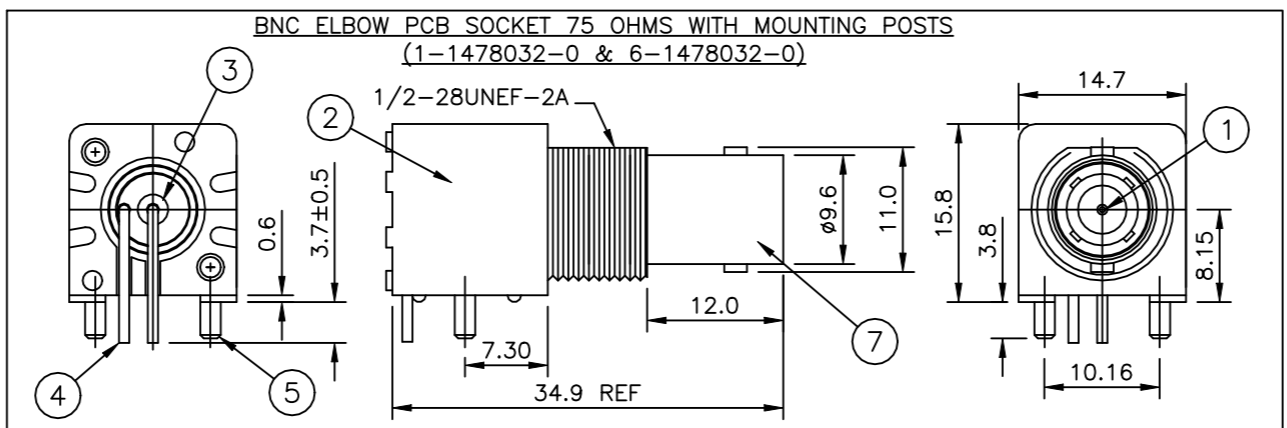


P	LTR	DESCRIPTION	DATE	DWN	APVD
E1		REVISED PER ECN-21-112955	17AUG2021	RZ	WK

- NOTES:**
- 1 SINGLE PACK IN ACCORDANCE WITH AMP SPEC 107-3275
 - 2 50 TRAY PACK IN ACCORDANCE WITH AMP SPEC 107-3275
 - 3 GOLD PLATING
 - 4 NICKEL PLATING
 - 5 TIN PLATING
 - 6 RECOMMENDED SELF-TAPPING SCREW 221108-4
 - 7 RECOMMENDED MOUNT NUT 1-1634816-0
 - 8 RECOMMENDED LOCKWASHER 1-1634817-0
 - 9 FOR TECHNICAL DATA REFER TO YOUR LOCAL TE CONNECTIVITY SALES OFFICE
 - 10. ALL DIMENSIONS ARE NOMINAL FOR REFERENCE ONLY UNLESS OTHERWISE STATED



		Obsolete	Obsolete	Obsolete	Obsolete				
1	1	1	1	1	1	ZINC DIECAST	△	BODY	7
-	-	2	2	-	-	BRASS	△	BOARD LOCK	6
-	-	-	-	2	2	BRASS	△	MOUNTING POST	5
1	1	1	1	1	1	BRASS	△	SOLDER TAIL	4
1	1	1	1	1	1	PE-606		INSULATOR	3
1	1	1	1	1	1	PBT WHITE		HOUSING	2
1	1	1	1	1	1	BRASS	△	CONTACT	1
6--2	1--2	6--1	1--1	6--0	1--0	MATERIAL		DESCRIPTION	ITEM
△	△	△	△	△	△	QUANTITY PER ASSY		PARTS LIST	

THIS DRAWING IS A CONTROLLED DOCUMENT.

DWN RITA ZUO 05 Mar 09
CHK ANSON MA 05 Mar 09
APVD BOB ZHAO 05 Mar 09

PRODUCT SPEC 108-112000
APPLICATION SPEC

NAME BNC R/A INSULATED PCB SOCKET 75 OHM WHITE

SIZE A3 CAGE CODE 00779 DRAWING NO C-1478032 RESTRICTED TO

WEIGHT 0.000000

CUSTOMER DRAWING SCALE 1:1 SHEET 1 OF 1 REV E1

DIMENSIONS:	TOLERANCES UNLESS OTHERWISE SPECIFIED:
mm	
0 PLC	± 0.5
1 PLC	± 0.3
2 PLC	± 0.2
3 PLC	± -
4 PLC	± -
ANGLES	± -
MATERIAL	FINISH
SEE TABLE	SEE TABLE