

5

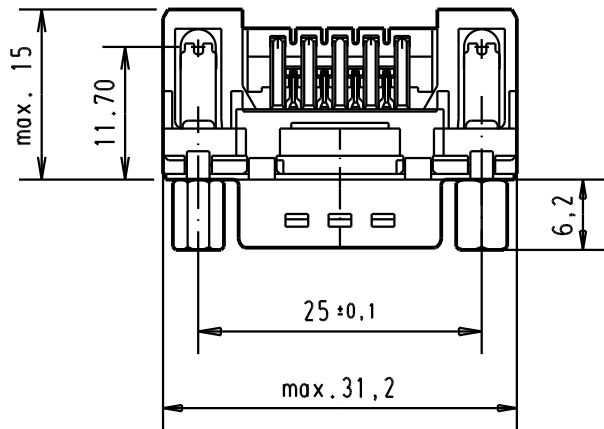
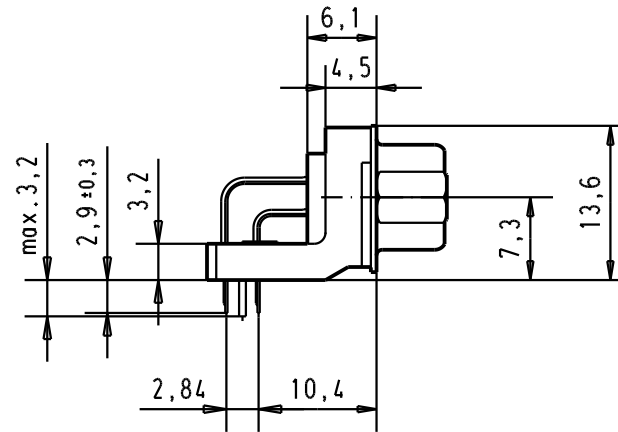
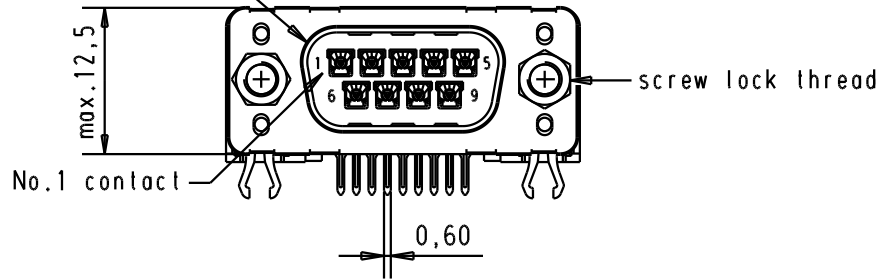
4

3

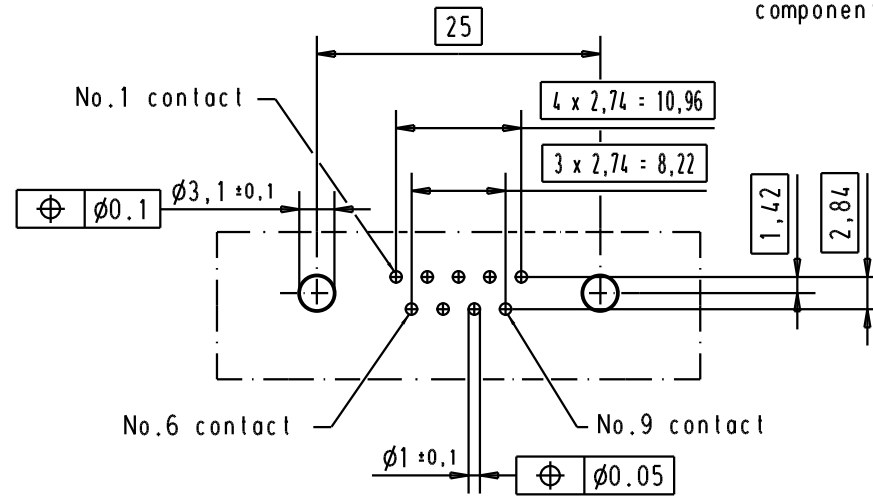
2

1

Mating face according to : MIL-C-24308 / DIN 41652 / CECC 75301-802

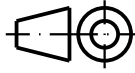



PCB layout hole component side



Connector retention and insertion forces on the PCB = 25 / 80 newtons

A

Part number	Screw lock thread	Performance level	Mod.	Dat.	Name	DoI.	Name	 All Dim. in mm Orig. Size DIN A 4		D-Sub, male, standard angle, 09 poles, with solder pin, screw lock, grounding board lock	Maßstab/ Scale 1.5:1		
09 65 163 3833	M3	1											
09 65 163 6833	M3	2				Detail.	04/09/02	YT					
09 65 163 7833	M3	3				Insp.							
09 65 163 3813	4-40 UNC	1				Stand.							
09 65 163 6813	4-40 UNC	2	31892	22/04/04	JH	HARTING EUROL F-95972 Paris						TB 0965163x8x3	Blatt/ Page 1 /
09 65 163 7813	4-40 UNC	3	31084	04/09/02	YT								
Part number	Screw lock thread	Performance level	Mod.	Dat.	Name							Sub.	