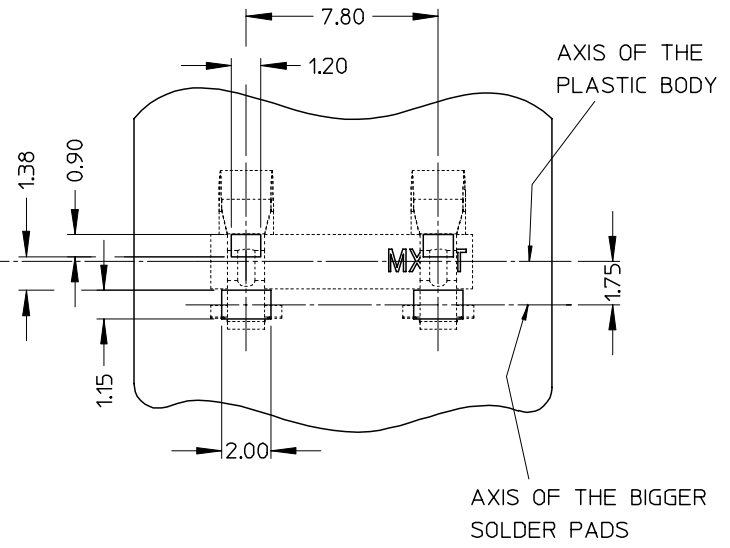
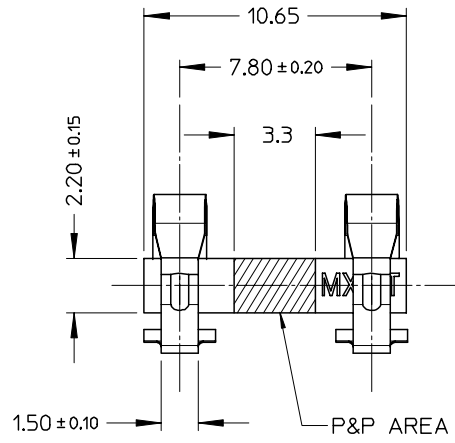


RECOMMENDED PCB LAYOUT AND PART POSITIONING ONTO THE PCB



- NOTES:
- MATERIALS:
    - CONTACT: BeCu ALLOY 0.20 mm THICK
    - HOUSING: BLACK PA46, 30% G.F.
  - PLATING:
    - OVERALL: 1.27um Ni MIN
    - CONTACT AREA: 0.4um Au MIN
    - SOLDER TAIL AREA: 5-9um Sn
  - PACKAGING: TAPE & REEL. SPQ 15600 PCS (SEE DWG PK-94326-001)
  - MAX CONTACT DEFLECTION: @ 3.5mm FROM PCB
  - UNLESS OTHERWISE SPECIFIED, PRODUCT CHARACTERISTICS ARE ACCORDING TO PS-94326-001

STD. DESCR.: BATTERY CONN SMT 2 CKT

EC NO: Z2006-0086 DRWN: SBARBIE2006/02/06 CHKD: RSANDANO2006/02/08 APPR: FBISELLO 2006/02/09	QUALITY SYMBOLS	GENERAL TOLERANCES (UNLESS SPECIFIED)		SCALE 5:1	DESIGN UNITS METRIC	FIRST ANGLE PROJECTION	REVISE ON CAD ONLY	
	- 0 - 1	4 PLACES	± ---	± ---	DIMENSION STYLE MM ONLY		TITLE 2 CKT BATTERY CONNECTOR	
		3 PLACES	± ---	± ---	DRAWN BY SBARBIE	DATE 2005/08/24	MOLEX INCORPORATED MATERIAL NO. 94326-5002   DOCUMENT NO. SD-94326-001   SHEET NO. 1 OF 1	
		2 PLACES	± 0.15	± ---	CHECKED BY FBISELLO	DATE 2005/08/30		
1 PLACE	± 0.3	± ---	APPROVED BY RSANDANO 2005/08/30					
		ANGULAR ± 3 °						
		DRAFT WHERE APPLICABLE MUST REMAIN WITHIN DIMENSIONS		THIS DRAWING CONTAINS INFORMATION THAT IS PROPRIETARY TO MOLEX INCORPORATED AND SHOULD NOT BE USED WITHOUT WRITTEN PERMISSION				