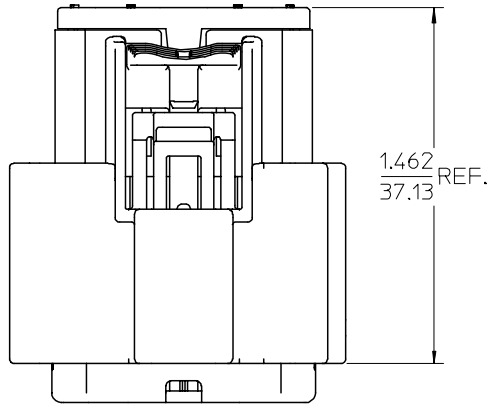
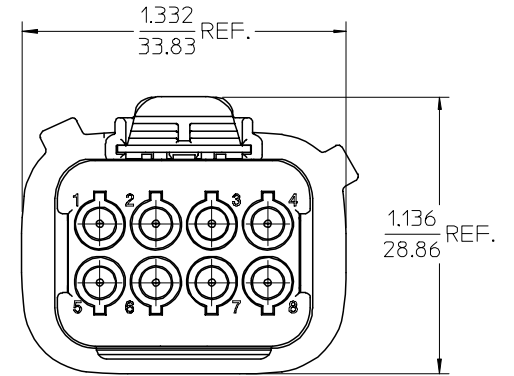
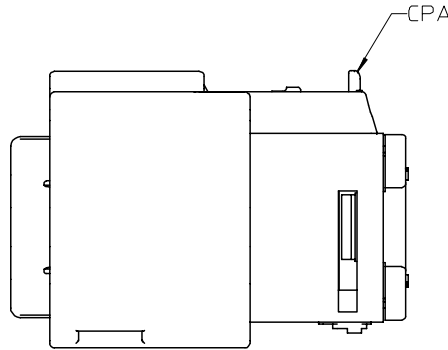
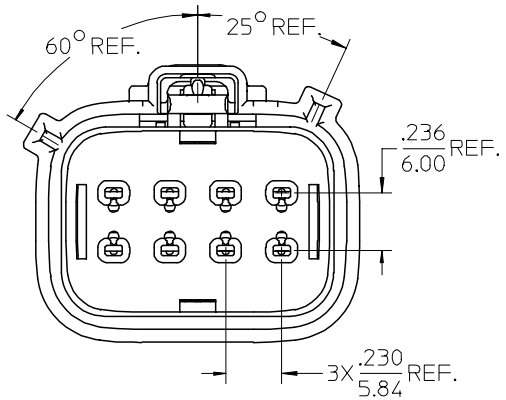
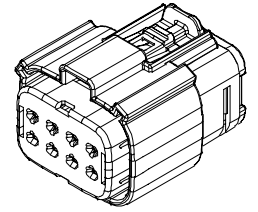


10 9 8 7 6 5 4 3 2 1



19418-0059	16-14	NO
19418-0060	22-18	
19418-0056	16-14	YES
19418-0057	22-18	
MATERIAL NUMBER	UL WIRE AWG	CPA



NOTES:

1. MATERIALS:  
HOUSING: POLYESTER (PBT), GLASS FILLED, UL94 V-0,  
COLOR: GRAY.  
SEALS: SILICONE RUBBER.
2. PRODUCT SPECIFICATION: PS-19417-001.
3. PACKAGING SPECIFICATION: PK-19418-001.
4. MATES WITH: 19419 SERIES PLUG ASSEMBLIES.
5. USE CONNECTOR WITH FEMALE CRIMP TERMINAL SERIES 19420.

RELEASED	EC NO: A	DRW: JPAMLCK 2005/09/01 CHKD: JPAMLCK 2005/09/12 APPR: JPAMLCK 2005/09/12	DESCRIPTION	QUALITY SYMBOLS	GENERAL TOLERANCES (UNLESS SPECIFIED)	DIMENSION STYLE	SCALE	DESIGN UNITS	THIRD ANGLE PROJECTION															
				$\nabla=0$ $\nabla=0$	<table border="1"> <thead> <tr> <th></th> <th>mm</th> <th>INCH</th> </tr> </thead> <tbody> <tr> <td>4 PLACES</td> <td>± ---</td> <td>± ---</td> </tr> <tr> <td>3 PLACES</td> <td>± ---</td> <td>± .015</td> </tr> <tr> <td>2 PLACES</td> <td>± 0.38</td> <td>± ---</td> </tr> <tr> <td>1 PLACE</td> <td>± ---</td> <td>± ---</td> </tr> </tbody> </table>		mm	INCH	4 PLACES	± ---	± ---	3 PLACES	± ---	± .015	2 PLACES	± 0.38	± ---	1 PLACE	± ---	± ---	IN/MM	2:1	INCH	
						mm	INCH																	
					4 PLACES	± ---	± ---																	
3 PLACES	± ---	± .015																						
2 PLACES	± 0.38	± ---																						
1 PLACE	± ---	± ---																						
DRAWN BY	DATE	TITLE																						
CHECKED BY	DATE	8 WAY RECEPTACLE ASSEMBLY, KEY B POLARIZATION																						
APPROVED BY	DATE	MOLEX INCORPORATED																						
MATERIAL NO.	SEE CHART	DOCUMENT NO.	SD-19418-011	SHEET NO.	1 OF 1																			
DRAFT WHERE APPLICABLE MUST REMAIN WITHIN DIMENSIONS				SIZE	THIS DRAWING CONTAINS INFORMATION THAT IS PROPRIETARY TO MOLEX INCORPORATED AND SHOULD NOT BE USED WITHOUT WRITTEN PERMISSION																			

9 8 7 6 5 4 3 2 1