

DO NOT SCALE FROM THIS PRINT

PATENT PENDING

LPAM-XX-XX.X-X-XX-X-K-TR

No. OF POSITIONS  
-10, -20, -30, -40, \*\*50  
(PER ROW)

LEAD STYLE  
-01.0: 1.0mm  
-01.5: 1.5mm

PLATING SPECIFICATION  
-L: 10µ" GOLD IN CONTACT AREA, MATTE TIN ON TAIL  
-S: 30µ" GOLD IN CONTACT AREA, MATTE TIN ON TAIL

PACKAGING  
-TR: TAPE & REEL  
(SEE NOTES 4, 5 & 7)

OPTIONS  
-K: POLYIMIDE PAD  
(SEE SHT 3, FIG. 3)

SOLDER COMPOSITION & STYLE

-1: 63.0% TIN / 37.0% LEAD CRIMP TAIL  
-2: 95.5% TIN / 3.8% SILVER / .7% COPPER CRIMP TAIL

ROW  
-04: 4 ROWS  
-06: 6 ROWS  
-08: 8 ROWS  
\*-10: 10 ROWS

(\* = NOT TOOLED)  
(\*\* = NOT TOOLED FOR 04, 06 & 10 ROWS)

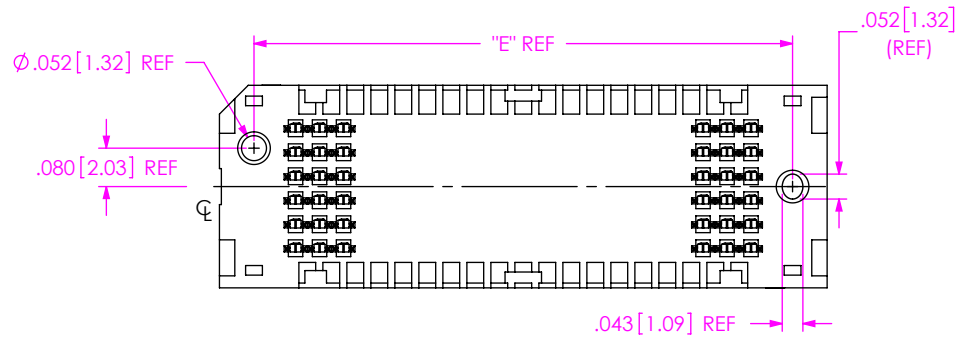
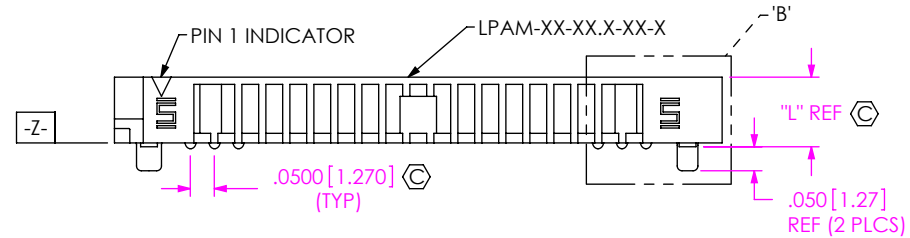
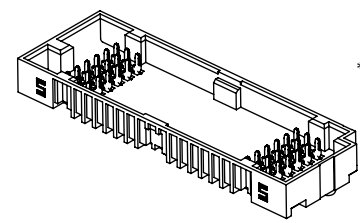
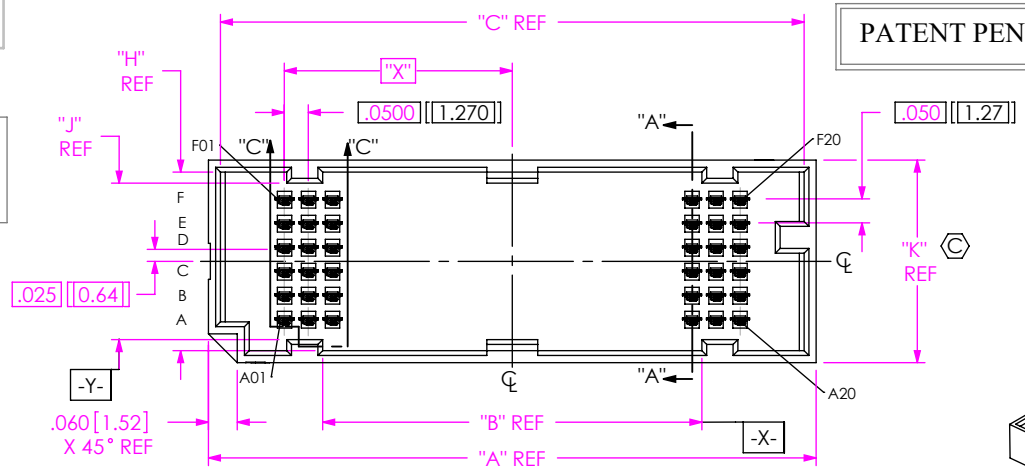


FIG 1  
LPAM-20-01.0-X-06-2-K-TR SHOWN  
(SOME CENTER FEATURES REMOVED FOR CLARITY)

NOTES:

- ⊗ REPRESENTS A CRITICAL DIMENSION.
- PUSH OUT FORCE .25LBS [1.11N].
- THIS DIMENSION IS TO BE CHECKED AT FOUR CORNERS: PINS A1, AX, N1, & NX, WHERE X IS THE NUMBER OF POSITIONS AND N IS THE NUMBER OF ROWS.
- TAPE & REEL WILL BE SUPPLIED WHETHER OR NOT -TR IS SPECIFIED.
- FOR QUANTITIES UP TO 49 PCS., NO LEADER, TRAILER OR REEL WILL BE SUPPLIED. FOR 50-124 PIECES, NO LEADER OR TRAILER WILL BE SUPPLIED.
- NOTE DELETED.
- ATTACH LABEL "SEAX-0001" TO EACH TAPE & REEL PACKAGE.
- ⊗ MAXIMUM VARIATION BETWEEN ROWS: .003[0.08]. TO BE MEASURED AT FIRST AND LAST POSITIONS ONLY, ALL ROWS.

UNLESS OTHERWISE SPECIFIED, DIMENSIONS ARE IN INCHES.

TOLERANCES ARE:  
DECIMALS ANGLES  
.XX: ±.01[0.3] 2°  
.XXX: ±.005[0.13]  
.XXXX: ±.0020[0.051]

PROPRIETARY NOTE  
THIS DOCUMENT CONTAINS CONFIDENTIAL AND PROPRIETARY INFORMATION AND ALL DESIGN, MANUFACTURING, REPRODUCTION, USE, PATENT RIGHTS AND SALES RIGHTS ARE EXPRESSLY RESERVED BY SAMTEC, INC. THIS DOCUMENT SHALL NOT BE DISCLOSED, IN WHOLE OR PART, TO ANY UNAUTHORIZED PERSON OR ENTITY NOR REPRODUCED, TRANSFERRED OR INCORPORATED IN ANY OTHER PROJECT IN ANY MANNER WITHOUT THE EXPRESS WRITTEN CONSENT OF SAMTEC, INC.

MATERIAL: DO NOT SCALE DRAWING SHEET SCALE: 1:0.4  
INSULATOR: LCP, COLOR: BLACK  
TERMINAL: COPPER ALLOY

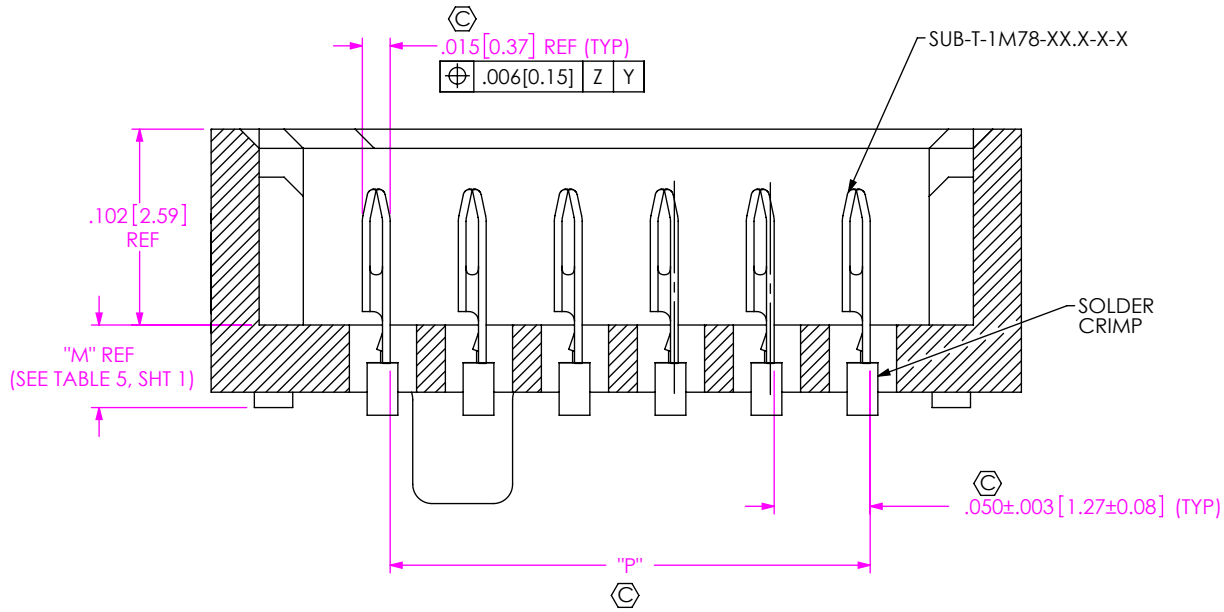


520 PARK EAST BLVD., NEW ALBANY, IN 47150  
PHONE: 812-944-6733 FAX: 812-948-5047  
e-Mail info@SAMTEC.com code 55322

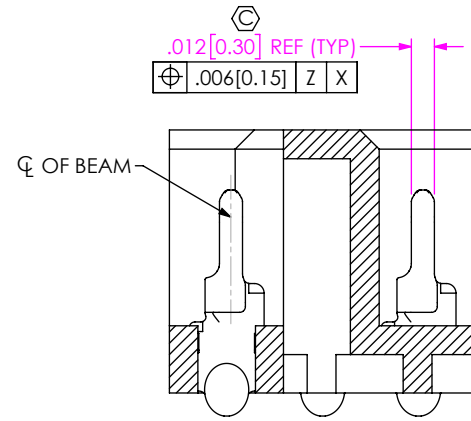
DESCRIPTION: LPAM TERMINAL ARRAY ASM

DWG. NO. LPAM-XX-XX.X-X-XX-X-K-TR

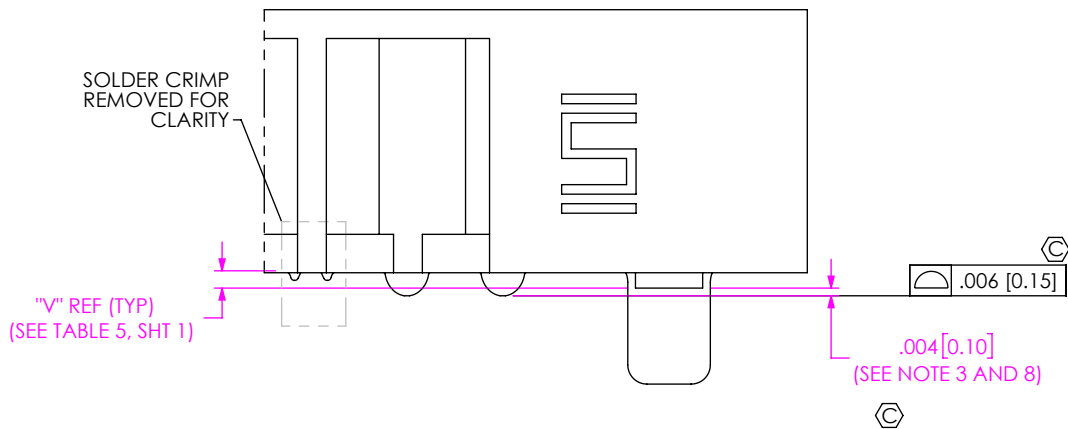
BY: KNOWLDEN 06/09/2009 SHEET 1 OF 3



SECTION "A"-"A"  
SCALE 10 : 1



SECTION "C"-"C"  
SCALE 10 : 1



DETAIL 'B'  
SCALE 10 : 1

**PROPRIETARY NOTE**  
THIS DOCUMENT CONTAINS CONFIDENTIAL AND PROPRIETARY INFORMATION AND ALL DESIGN, MANUFACTURING, REPRODUCTION, USE, PATENT RIGHTS AND SALES RIGHTS ARE EXPRESSLY RESERVED BY SAMTEC, INC. THIS DOCUMENT SHALL NOT BE DISCLOSED, IN WHOLE OR PART, TO ANY UNAUTHORIZED PERSON OR ENTITY NOR REPRODUCED, TRANSFERRED OR INCORPORATED IN ANY OTHER PROJECT IN ANY MANNER WITHOUT THE EXPRESS WRITTEN CONSENT OF SAMTEC, INC.

DO NOT SCALE DRAWING

SHEET SCALE: 2:1



520 PARK EAST BLVD, NEW ALBANY, IN 47150  
PHONE: 812-944-6733 FAX: 812-948-5047  
e-Mail info@SAMTEC.com code 55322

DESCRIPTION:  
LPAM TERMINAL ARRAY ASM

DWG. NO.  
LPAM-XX-XX.X-X-XX-X-K-TR

BY: KNOWLDEN 06/09/2009 SHEET 2 OF 3

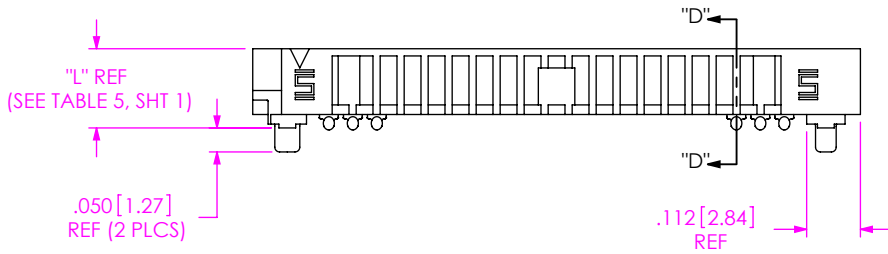
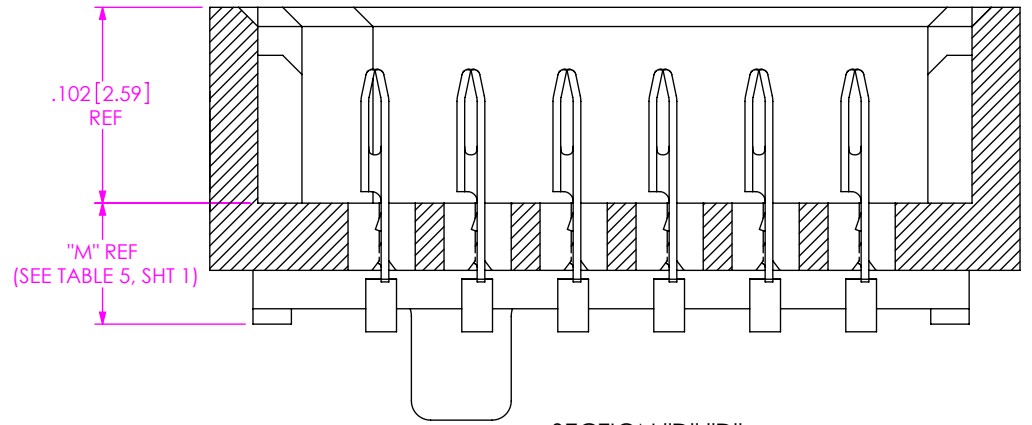


FIG 2  
LPAM-20-01.5-X-06-2-K-TR SHOWN  
(SOME CENTER FEATURES REMOVED FOR CLARITY)



SECTION "D"-"D"  
SCALE 10:1

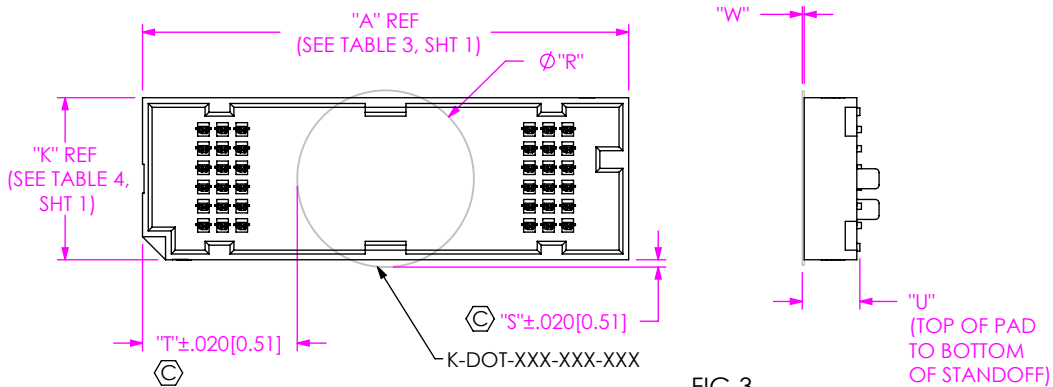


FIG 3  
-K POLYIMIDE PAD  
(USE K-DOT-XXX-XXX-XXX)  
LPAM-20-01.0-X-06-2-K-TR SHOWN  
(SOME CENTER FEATURES REMOVED FOR CLARITY)

<p><b>PROPRIETARY NOTE</b></p> <p>THIS DOCUMENT CONTAINS CONFIDENTIAL AND PROPRIETARY INFORMATION AND ALL DESIGN, MANUFACTURING, REPRODUCTION, USE, PATENT RIGHTS AND SALES RIGHTS ARE EXPRESSLY RESERVED BY SAMTEC, INC. THIS DOCUMENT SHALL NOT BE DISCLOSED, IN WHOLE OR PART, TO ANY UNAUTHORIZED PERSON OR ENTITY NOR REPRODUCED, TRANSFERRED OR INCORPORATED IN ANY OTHER PROJECT IN ANY MANNER WITHOUT THE EXPRESS WRITTEN CONSENT OF SAMTEC, INC.</p> <p>DO NOT SCALE DRAWING</p> <p>SHEET SCALE: 2:1</p>	<p>520 PARK EAST BLVD, NEW ALBANY, IN 47150 PHONE: 812-944-6733 FAX: 812-948-5047 e-Mail info@SAMTEC.com code 55322</p>
	<p>DESCRIPTION: LPAM TERMINAL ARRAY ASM</p>
	<p>DWG. NO. LPAM-XX-XX.X-X-XX-X-K-TR</p>
	<p>BY: KNOWLDEN 06/09/2009 SHEET 3 OF 3</p>