

10.0	19.5	17.6	20.26	502430-9080	502430-9089	90
7.0	13.5	11.6	14.26	502430-6080	502430-6089	60
	11.5	9.6	12.26	502430-5080	502430-5089	50
4.0	9.5	7.6	10.26	502430-4080	502430-4089	40
	7.9	6.0	8.66	502430-3280	502430-3289	32
3.4	6.7	4.8	7.46	502430-2680	502430-2689	26
	6.3	4.4	7.06	502430-2480	502430-2489	24
	5.9	4.0	6.66	502430-2280	502430-2289	22
2.4	5.5	3.6	6.26	502430-2080	502430-2089	20
	4.3	2.4	5.06	502430-1480	502430-1489	14
D	C	B	A	EMBOSSED TAPE	MATERIAL No.	CKT.
				ORDER No.	MODEL No. : 502430-****	

RELEASED EC NO. : J2009-0107 DRWN: TTANI GUCHI 01 2008/08/05 CHKD: MSASAO 2008/08/06 APPR: MSASAO 2008/08/08	GENERAL TOLERANCES (UNLESS SPECIFIED)		DIMENSION STYLE MM ONLY		SCALE 10:1	DESIGN UNITS METRIC	THIRD ANGLE PROJECTION	
	10 UNDER ± --- 10 OVER 30 UNDER ± --- 30 OVER ± ---	ANGULAR ± --- ° DRAFT WHERE APPLICABLE MUST REMAIN WITHIN DIMENSIONS		DRAWN BY TTANI GUCHI 01 2008/07/15	DATE 2008/07/15	TITLE 0.4 B-TO-B CONN. HGT=1.0 W=2.6 PLUG CHECKER ASSY WITH TAPE		
	SEE CHART		CHECKED BY THIRATA 2008/07/15	DATE 2008/07/15	MOLEX INCORPORATED			
	SIZE A3		THIS DRAWING CONTAINS INFORMATION THAT IS PROPRIETARY TO MOLEX INCORPORATED AND SHOULD NOT BE USED WITHOUT WRITTEN PERMISSION			DOCUMENT NO. SD-502430-007	SHEET NO. 1 OF 2	

注記 NOTES

1. 使用材料 MATERIAL

ウェハ : 液晶ポリマー (LCP) ガラス充填 UL94V-0 (黒)
 WAFER: LIQUID CRYSTAL POLYMER (GLASS FILLED) UL94V-0 (COLOR: BLACK)

ピン : りん青銅 (t=0.08)
 PIN : PHOSPHOR BRONZE (t=0.08)

金具 : りん青銅 (t=0.15)
 FITTING NAIL : PHOSPHOR BRONZE (t=0.15)

吸着テープ : ポリイミド
 VACUUM TAPE : POLYIMIDE

2. メッキ仕様 PLATING

ピン PIN

金メッキ 0.1 マイクロメートル以上
 GOLD 0.1 MICROMETER MINIMUM

下地メッキ : ニッケルメッキ 1.0 マイクロメートル以上
 UNDER PLATING : NICKEL 1.0 MICROMETER MINIMUM

※コンタクト部とテール部はニッケルメッキによって分断されている金メッキです。
 DIVIDE INTO PARTS THE GOLD PLATING OF THE CONTACT AND THE TAIL PART BY THE NICKEL PLATING.

※封孔処理品

金具 FITTING NAIL

フラッシュ金メッキ
 FLASH Au PLATING

下地メッキ : ニッケルメッキ 1.0 マイクロメートル以上
 UNDER PLATING : NICKEL 1.0 MICROMETER MINIMUM

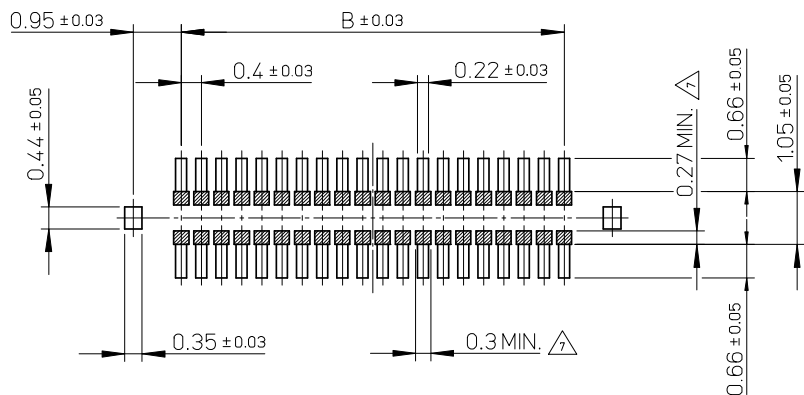
③ (全極数 / 2) = 偶数の場合に適用。
 APPLY FOR (CIRCUIT/2)=EVEN.

4. 嵌合相手 : 502426 シリーズ
 MATE WITH : 502426 SERIES.

5. テール平坦度は、0.08 以下
 テール及び金具の平坦度は、0.1 以下
 TAIL COPLANARITY TO BE 0.08 MAXIMUM.
 TAIL AND FITTING NAIL COPLANARITY TO BE 0.1 MAXIMUM.

6. ELV 及び RoHS 適合品
 ELV AND RoHS COMPLIANT.

⑦ 斜線部はパターン書込み禁止範囲と半田禁止範囲を示す。
 ただし、斜線部に同一配線を配置する場合はレジストを施し、この部分に半田は無きこと。
 NO PATTERN CIRCUIT AND NO SOLDER ALLOWED IN THE SHADED AREA.
 HOWEVER, IF NEEDED TO ADD A TRACE OF THE SAME CIRCUIT, PUT THE SOLDER-RESIST, YET NO SOLDER ALLOWED IN THE AREA.

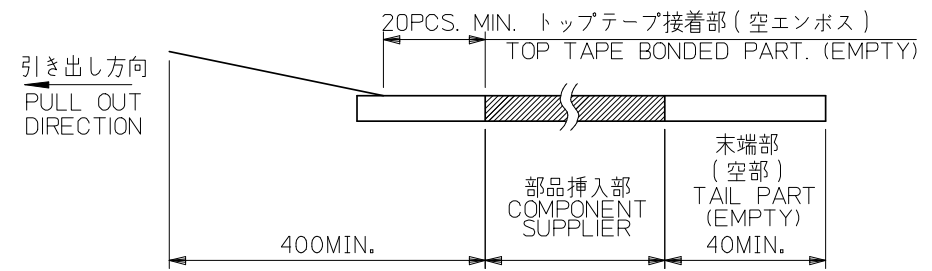
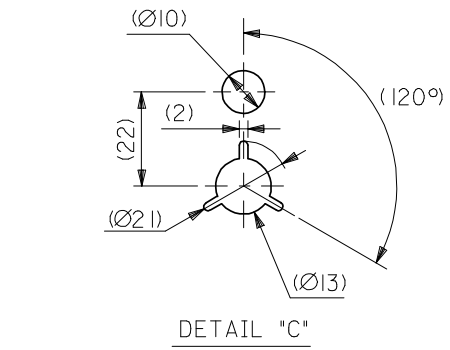
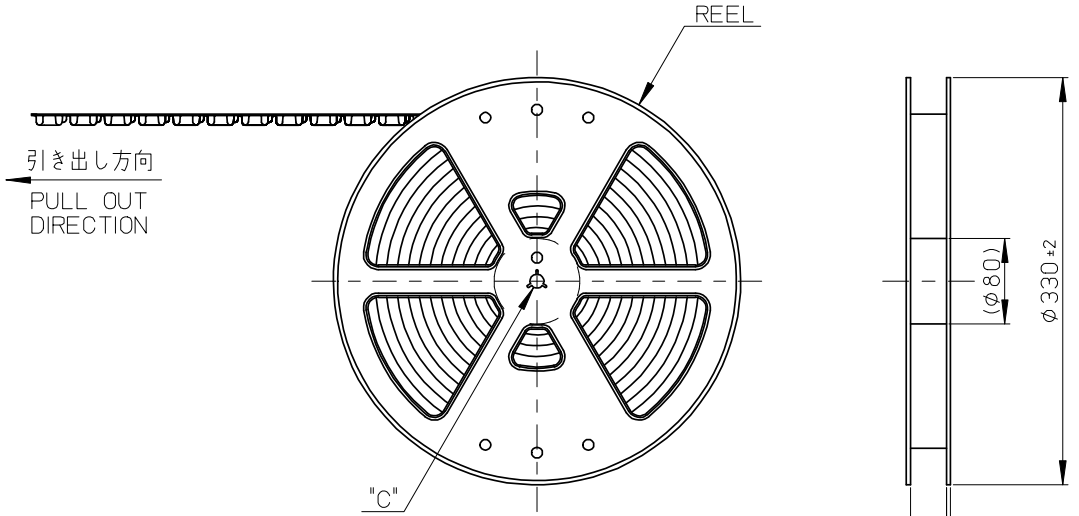


P.C. BOARD PATTERN LAYOUT
 (REFERENCE)

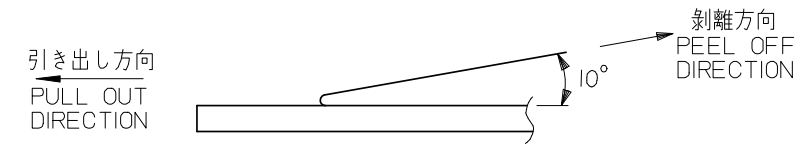
RELEASED EC NO: J2009-0107 DRWN: TTANI GUCHI 01 2008/08/05 CHKD: MSASAO 2008/08/06 APPR: MSASAO 2008/08/08	GENERAL TOLERANCES (UNLESS SPECIFIED)		DIMENSION STYLE	SCALE	DESIGN UNITS	THIRD ANGLE PROJECTION
			MM ONLY	10:1	METRIC	
	10 UNDER	±---	DRAWN BY	DATE	TITLE	
	10 OVER 30 UNDER	±---	TTANI GUCHI 01	2008/07/15	0.4 B-TO-B CONN. HGT=1.0 W=2.6 PLUG CHECKER ASSY WITH TAPE	
30 OVER	±---	CHECKED BY	DATE	MOLEX INCORPORATED		
ANGULAR	±---°	THIRATA	2008/07/15	MOLEX INCORPORATED		
DRAFT WHERE APPLICABLE MUST REMAIN WITHIN DIMENSIONS		APPROVED BY	DATE	DOCUMENT NO.		SHEET NO.
		MSASAO	2008/07/15	SD-502430-007		2 OF 2
		MATERIAL NO.	SEE SHEET 1			
		SIZE	THIS DRAWING CONTAINS INFORMATION THAT IS PROPRIETARY TO MOLEX INCORPORATED AND SHOULD NOT BE USED WITHOUT WRITTEN PERMISSION			
		A3				

注記 NOTES

- 製品詳細寸法については製品単体図面を参照下さい。
RE DETAILED DIMENSION, SEE PRODUCT DRAWING.
- 梱包数量：3000 個/リール
NUMBER OF CONNECTORS : 3000PCS/REEL
- リードテープ長さ LEAD TAPE LENGTH

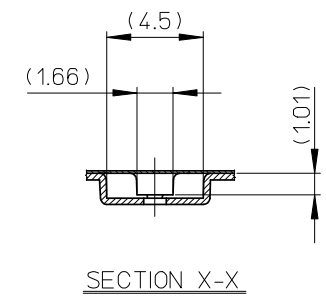
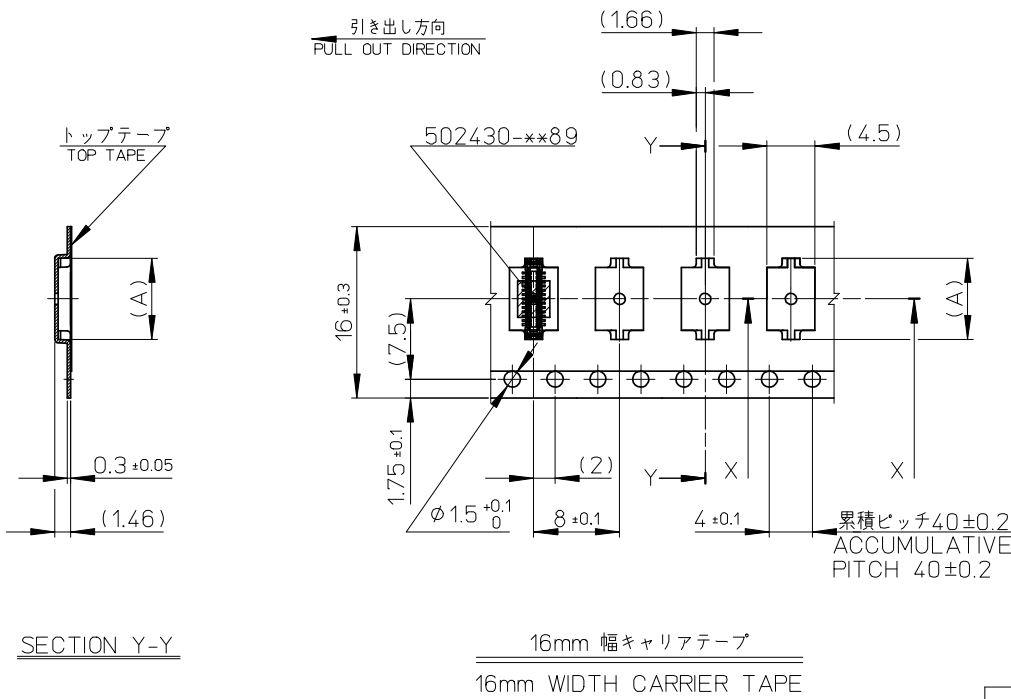


- トップテープの剥離強度：0.1N~1.3N(10gf~130gf)
(剥離方向は下図参照)
尚、本規格値は出荷時に適用。(但し、輸送時に剥離が発生しないこと。)
PEELING OFF FORCE OF TOP TAPE : 0.1N~1.3N(10gf~130gf)
(PEELING DIRECTION AS SHOWN IN FOLLOWING FIG.)
THIS REQUIREMENT SHOULD BE APPLIED AT SHIPMENT.
PEEL OFF SHOULD NOT BE ALLOWED, DURING TRANSPORTION.



- 材料 MATERIAL
キャリアテープ (CARRIER TAPE) : ポリスチレン (POLYSTYRENE)
トップテープ (TOP TAPE) : PET, PE, PEF
リール (REEL) : ポリスチレン (PS) <リサイクル材を含む>
POLYSTYRENE (PS) <RECYCLE MATERIAL CONTAINED>
- ELV及びRoHS適合品。
ELV AND RoHS COMPLIANT.

RELEASED EC NO: J2009-0107 DRWN: ITANI GUCHI 01 2008/08/05 CHKD: 2008/08/06 APPR: MSASAO 2008/08/08 REV: 0	DESCRIPTION	GENERAL TOLERANCES (UNLESS SPECIFIED)	DIMENSION STYLE	SCALE	DESIGN UNITS	MODEL NO.
		10 UNDER ±---	MM ONLY	---	METRIC	502430-**80
		10 OVER 30 UNDER ±---	TITANI GUCHI 01 2008/07/15	TITLE		THIRD ANGLE PROJECTION
		30 OVER ±---	THIRATA 2008/07/15	0.4 B-TO-B CONN. HGT=1.0 W=2.6 PLUG CHECKER ASSY WITH TAPE EMBSTP PKG		
		ANGULAR ±---	APPROVED BY DATE	DOCUMENT NO.		SHEET NO.
	DRAFT WHERE APPLICABLE MUST REMAIN WITHIN DIMENSIONS	MSASAO 2008/07/15	SD-502430-008			
		MATERIAL NO.	SEE CHART		1 OF 4	
		SIZE	THIS DRAWING CONTAINS INFORMATION THAT IS PROPRIETARY TO MOLEX INCORPORATED AND SHOULD NOT BE USED WITHOUT WRITTEN PERMISSION			



SECTION Y-Y

16mm 幅キャリアテープ
16mm WIDTH CARRIER TAPE

16	17.5	7.58	502430-2680	26
		7.18	502430-2480	24
		6.78	502430-2280	22
		6.38	502430-2080	20
		5.18	502430-1480	14
キャリアテープ幅 CARRIER TAPE WIDTH	B	(A)	MATERIAL No.	CKT.
			MODEL No.	502430-**80

RELEASED EC NO: J2009-0107 DRWN: TTANIGUCHI 01 2008/08/05 CHKD: MSASAO 2008/08/06 APPR: MSASAO 2008/08/08 REV 0	DESCRIPTION	GENERAL TOLERANCES (UNLESS SPECIFIED)	DIMENSION STYLE	SCALE	DESIGN UNITS	THIRD ANGLE PROJECTION	
		10 UNDER ±---	MM ONLY	---	METRIC	☉ □	
		10 OVER 30 UNDER ±---		DRAWN BY	DATE	TITLE	
		30 OVER ±---		TTANIGUCHI 01	2008/07/15	0.4 B-TO-B CONN. HGT=1.0 W=2.6 PLUG CHECKER ASSY WITH TAPE EMBSTP PKG	
		ANGULAR ±---		CHECKED BY	DATE		
		DRAFT WHERE APPLICABLE MUST REMAIN WITHIN DIMENSIONS		THIRATA	2008/07/15		
			APPROVED BY	DATE			
			MSASAO	2008/07/15			
			MATERIAL NO.	DOCUMENT NO.			
			SEE CHART	SD-502430-008			
			SIZE	THIS DRAWING CONTAINS INFORMATION THAT IS PROPRIETARY TO MOLEX INCORPORATED AND SHOULD NOT BE USED WITHOUT WRITTEN PERMISSION			
			A3				

F

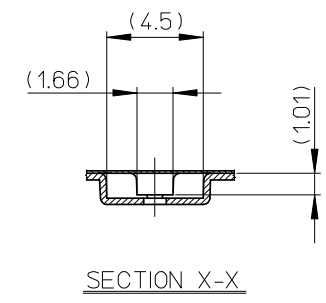
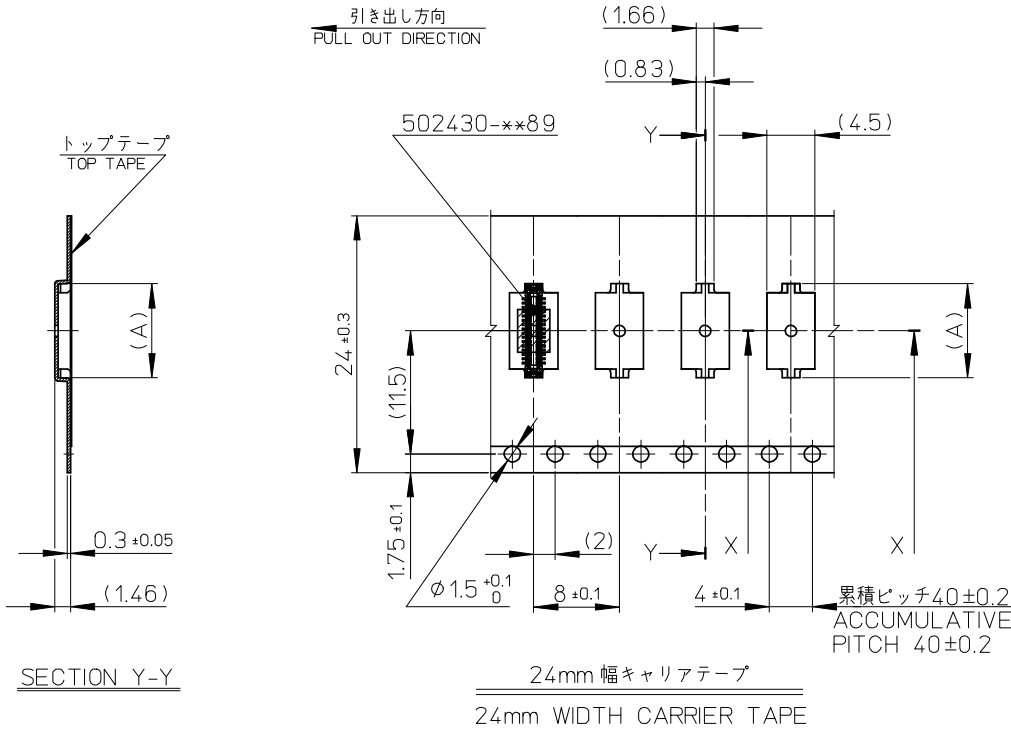
E

D

C

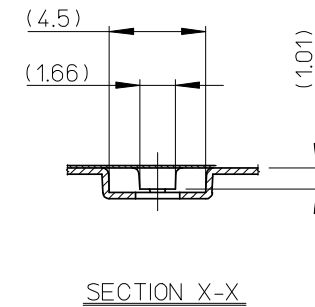
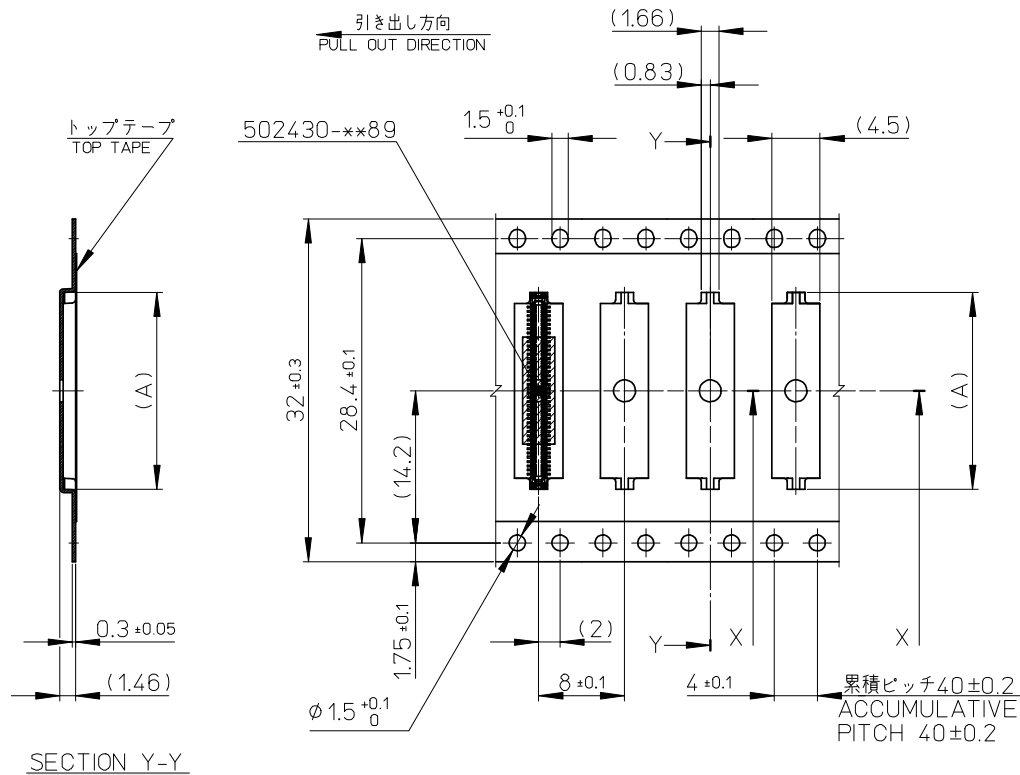
B

A



24	25.5	14.38	502430-6080	60
		12.38	502430-5080	50
		10.38	502430-4080	40
		8.78	502430-3280	32
キャリアテープ幅 CARRIER TAPE WIDTH	B	(A)	MATERIAL No.	CKT.
			MODEL No.	502430-**80

RELEASED EC NO: J2009-0107 DRWN: TTANI GUCHI 01 2008/08/05 CH'KD: MSASAO 2008/08/06 APPR: MSASAO 2008/08/08	DESCRIPTION	GENERAL TOLERANCES (UNLESS SPECIFIED)	DIMENSION STYLE	SCALE	DESIGN UNITS	THIRD ANGLE PROJECTION	
	REV	10 UNDER ± ---	MM ONLY	---	METRIC	☉ □	
	0	10 OVER 30 UNDER ± ---	DRAWN BY	TTANI GUCHI 01	DATE	2008/07/15	TITLE
		30 OVER ± ---	CHECKED BY	THIRATA	DATE	2008/07/15	0.4 B-TO-B CONN. HGT=1.0 W=2.6 PLUG CHECKER ASSY WITH TAPE EMBSTP PKG
		ANGULAR ± --- °	APPROVED BY	MSASAO	DATE	2008/07/15	molex MOLEX INCORPORATED
	DRAFT WHERE APPLICABLE MUST REMAIN WITHIN DIMENSIONS	MATERIAL NO.	SEE CHART	DOCUMENT NO.	SD-502430-008	SHEET NO. 3 OF 4	
		SIZE	A3	THIS DRAWING CONTAINS INFORMATION THAT IS PROPRIETARY TO MOLEX INCORPORATED AND SHOULD NOT BE USED WITHOUT WRITTEN PERMISSION			



32mm 幅キャリアテープ
32mm WIDTH CARRIER TAPE

32	33.5	20.38	502430-9080	90
キャリアテープ幅 CARRIER TAPE WIDTH	B	(A)	MATERIAL No.	CKT.
			MODEL No.	502430-**80

RELEASED EC NO: J2009-0107 DRWN: TTANIGUCHI 01 2008/08/05 CHK: MSASAO 2008/08/06 APPR: MSASAO 2008/08/08	GENERAL TOLERANCES (UNLESS SPECIFIED)		DIMENSION STYLE	SCALE	DESIGN UNITS	THIRD ANGLE PROJECTION
			MM ONLY	---	METRIC	
	10 UNDER ±---		TTANIGUCHI 01 2008/07/15	TITLE		0.4 B-TO-B CONN. HGT=1.0 W=2.6 PLUG CHECKER ASSY WITH TAPE EMBSTP PKG
	10 OVER 30 UNDER ±---		THIRATA 2008/07/15	MOLEX INCORPORATED		
	30 OVER ±---		MSASAO 2008/07/15	DOCUMENT NO.		
ANGULAR ±---		MATERIAL NO.	SEE CHART		SHEET NO.	
DRAFT WHERE APPLICABLE MUST REMAIN WITHIN DIMENSIONS		THIS DRAWING CONTAINS INFORMATION THAT IS PROPRIETARY TO MOLEX INCORPORATED AND SHOULD NOT BE USED WITHOUT WRITTEN PERMISSION		SD-502430-008		4 OF 4