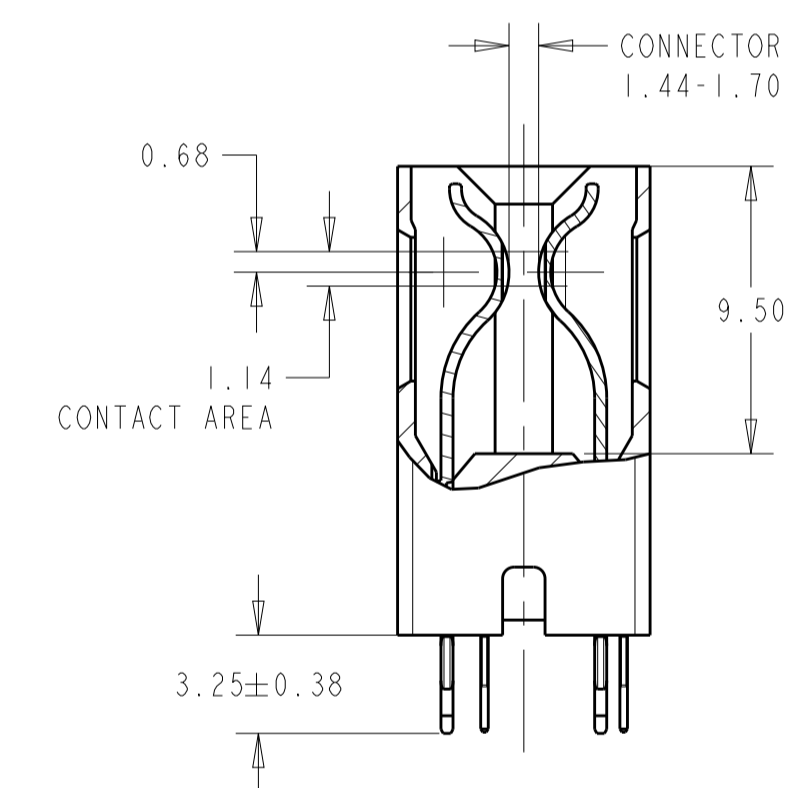
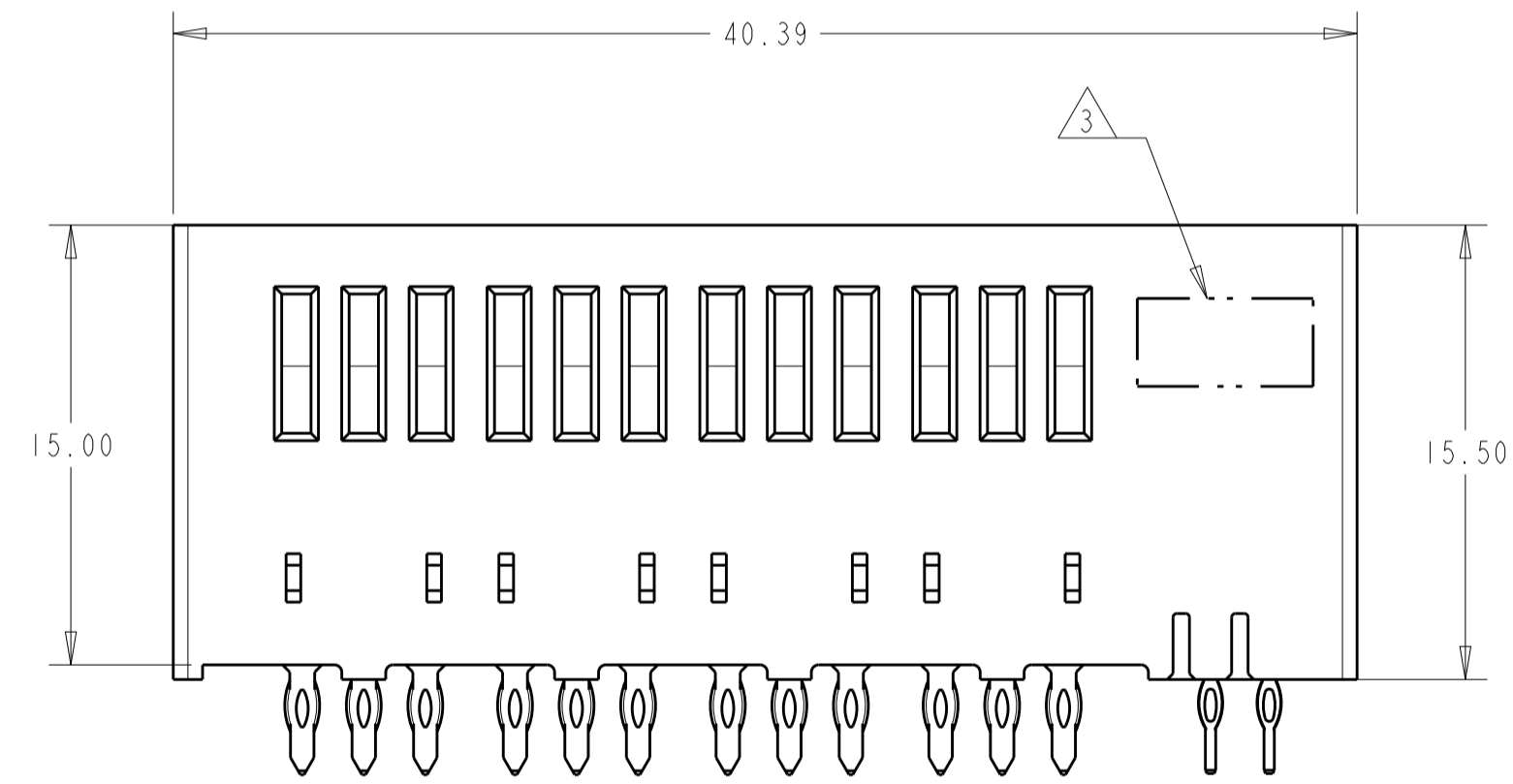
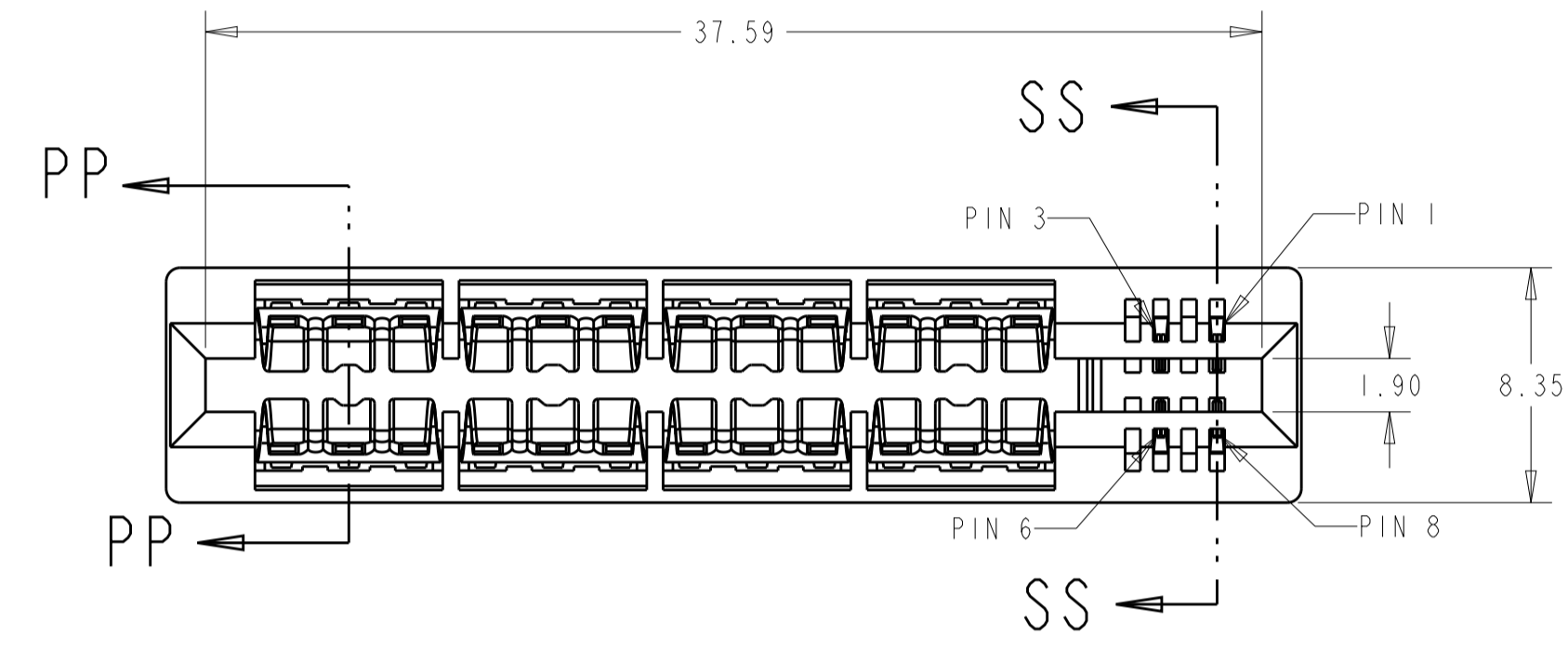
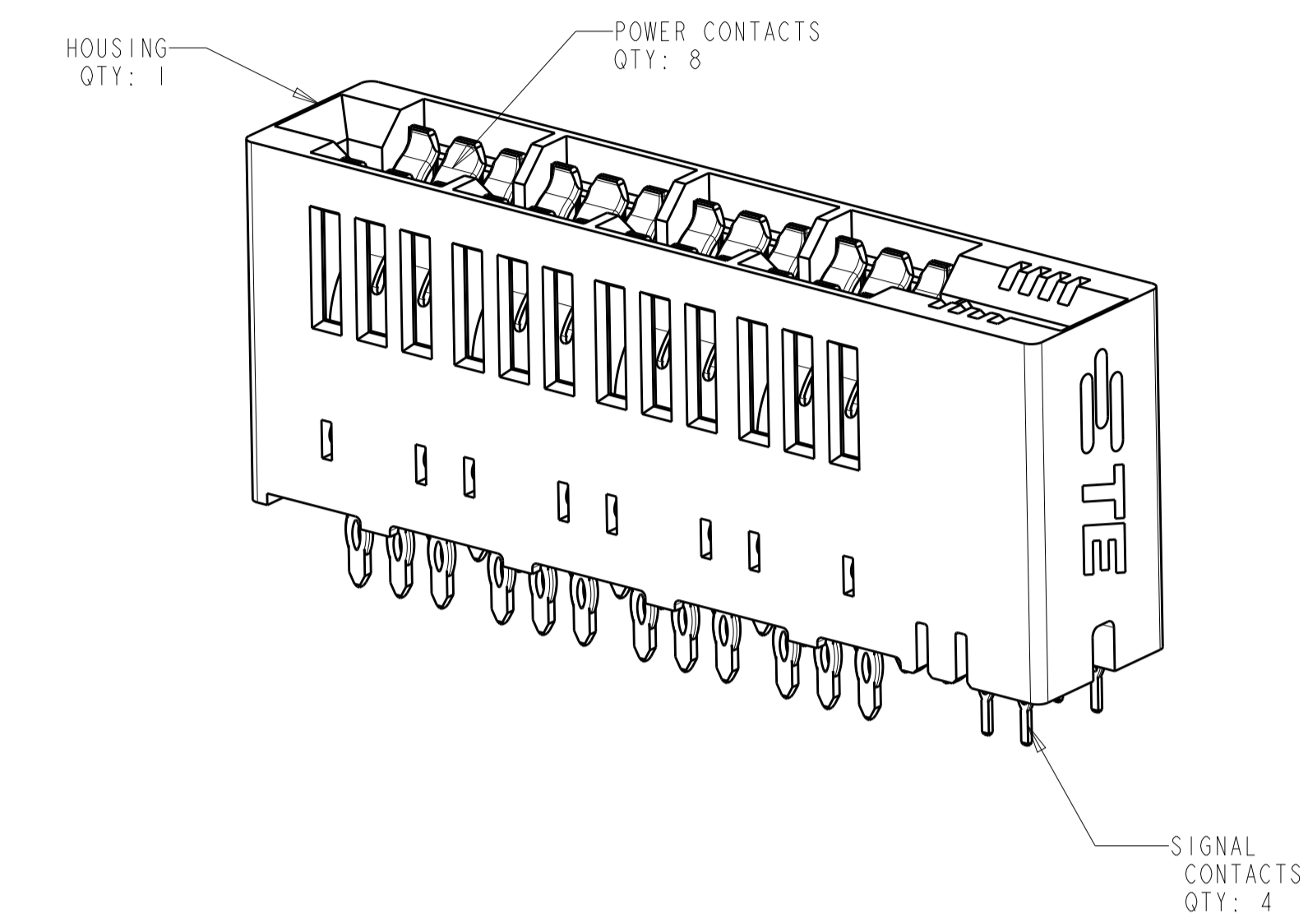
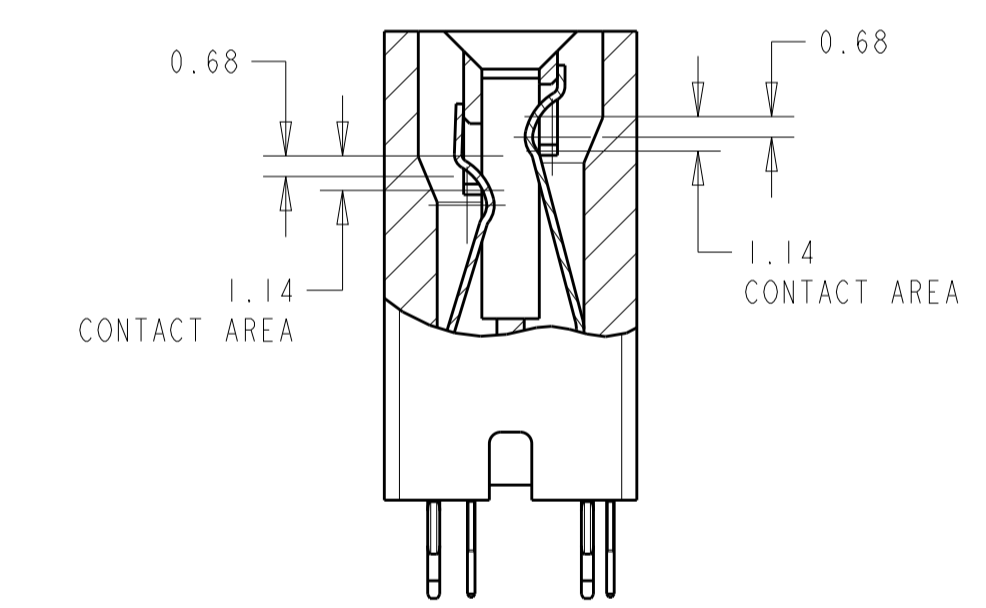


LOC		DIST		REVISIONS			
AA	00	P	LTN	DESCRIPTION	DATE	DWN	APVD
		A		FIRST RELEASE	30AUG2016	SZ	SZ

- MATERIAL: HOUSING - THERMOPLASTIC, GLASS REINFORCED, COLOR: BLACK
CONTACT - COPPER ALLOY
- FINISH: CONTACT - GOLD PLATED OVER NICKEL
SOLDER TAILS - MATTE TIN OVER NICKEL
- CONNECTOR ASSEMBLY MARKED WITH PART NUMBER AND DATE CODE IN THE APPROXIMATE AREA SHOWN
- DATUMS AND BASIC DIMENSIONS TO BE ESTABLISHED BY CUSTOMER
- MANUFACTURING TOLERANCE FOR 1.07mm DIAMETER FINISHED HOLE:
 DRILLED HOLE = 1.16+/-0.03mm
 COPPER PLATE = 0.050/0.025mm (MAX HARDNESS 150 KNOOP)
 TIN/LEAD PLATE (HASL) = 0.010/0.004mm
- MANUFACTURING TOLERANCE FOR 0.70mm DIAMETER FINISHED HOLE:
 DRILLED HOLE = 0.79+/-0.03mm
 COPPER PLATE = 0.050/0.025mm (MAX HARDNESS 150 KNOOP)
 TIN/LEAD PLATE (HASL) = 0.010/0.004mm



SECTION PP-PP
POWER CONTACTS

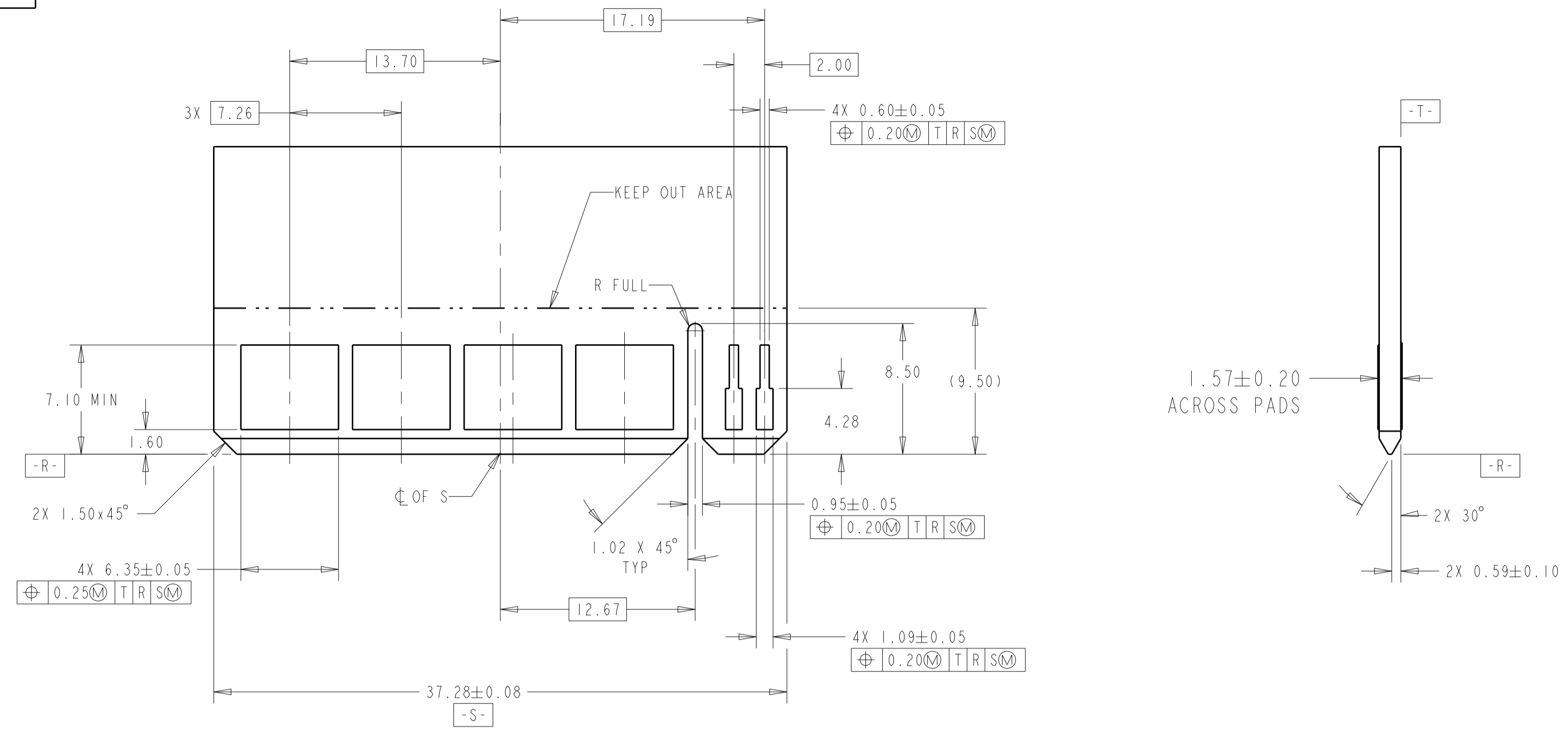


SECTION SS-SS
SIGNAL CONTACTS

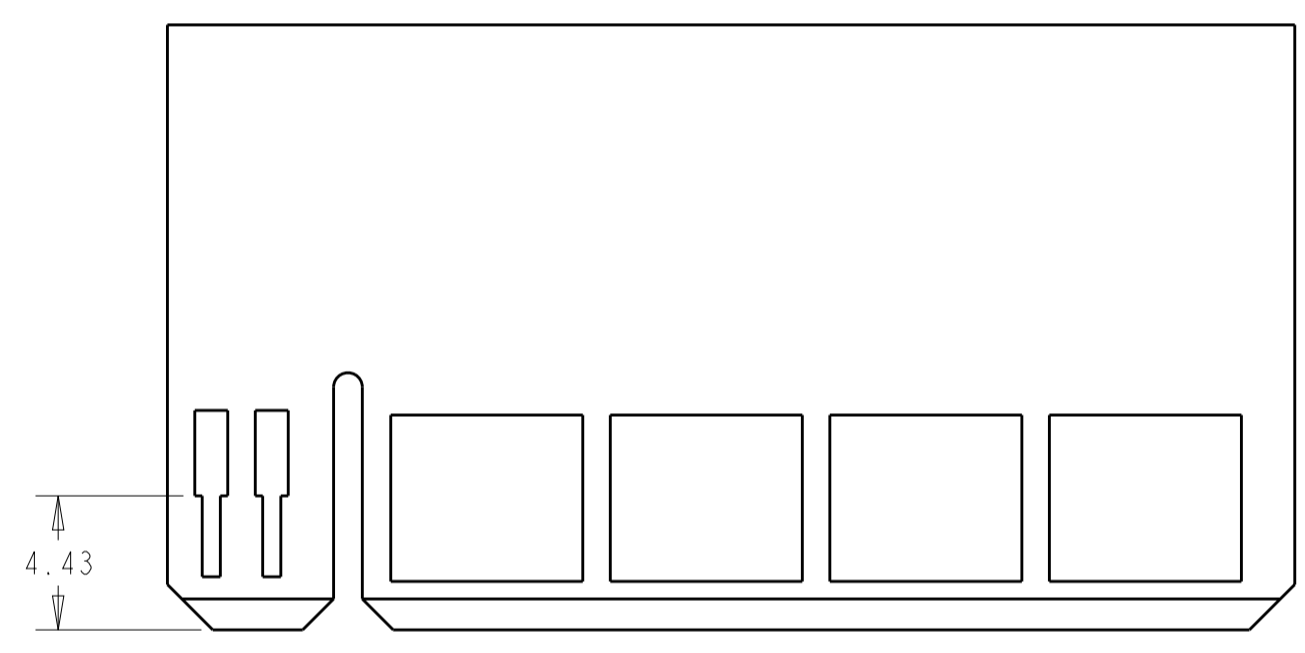
PIN 1, 3, 6, 8	2 X 4 POWER 2 X 4 SIGNAL	2212112-1
SELECT LOADED	DESCRIPTION	PART NUMBER

THIS DRAWING IS A CONTROLLED DOCUMENT.		DWN L.A. WENSEL 07NOV2012	
DIMENSIONS:		CHK D. DEFIBAUGH 07NOV2012	
mm		APVD S. FLICKINGER 07NOV2012	
TOLERANCES UNLESS OTHERWISE SPECIFIED: 0 PLC ± 1 PLC ±0.5 2 PLC ±0.25 3 PLC ± 4 PLC ± ANGLES ±6°		NAME CONNECTOR ASSEMBLY, MULTI-BEAM CE, POWER/SIGNAL, VERTICAL, PRESS FIT, SELECT LOADED	
MATERIAL SEE NOTE 1	FINISH SEE NOTE 2	WEIGHT -	SIZE CAGE CODE DRAWING NO RESTRICTED TO
CUSTOMER DRAWING		A1 00779 C=2212112	SCALE 4:1 SHEET 1 OF 2 REV A

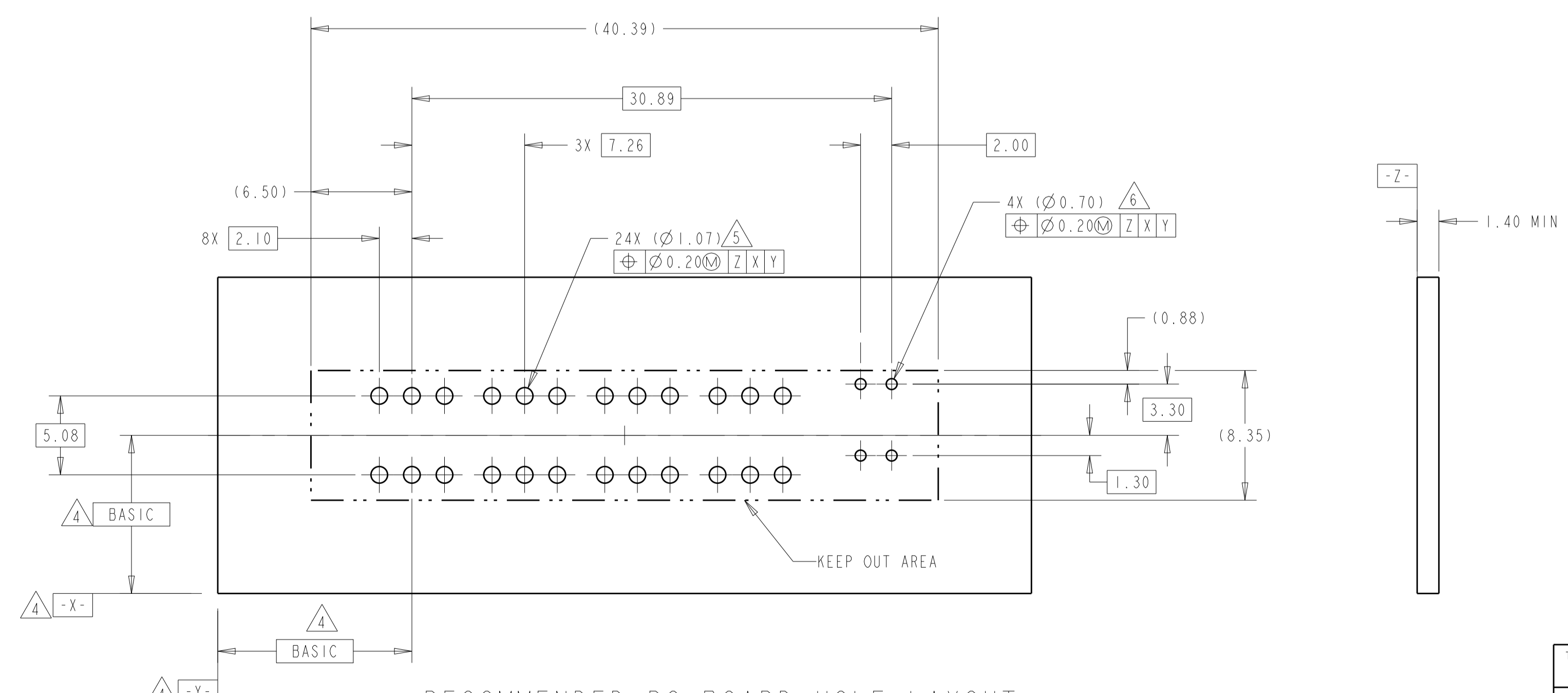
LOC	DIST	REVISIONS			
		REV	DATE	BY	APPV
AA	00	-	SEE SHEET 1	-	-



RECOMMENDED MATING BOARD EDGE CONFIGURATION
 (PRIMARY SIDE SHOWN)



RECOMMENDED MATING BOARD EDGE CONFIGURATION
 (SECONDARY SIDE SHOWN)



RECOMMENDED PC BOARD HOLE LAYOUT
 COMPONENT SIDE

THIS DRAWING IS A CONTROLLED DOCUMENT.		DWN L.A.WENSEL 07NOV2012	 TE Connectivity
DIMENSIONS: mm		CHK D.DEFIRAUGH 07NOV2012	
TOLERANCES UNLESS OTHERWISE SPECIFIED:		APVD S.FLICKINGER 07NOV2012	NAME CONNECTOR ASSEMBLY, MULTI-BEAM CE, POWER/SIGNAL, VERTICAL, PRESS FIT, SELECT LOADED
0 PLC ±0.3 1 PLC ±0.3 2 PLC ±0.13 3 PLC ±0.13 4 PLC ±0.13		PRODUCT SPEC	APPLICATION SPEC
MATERIAL SEE NOTE 1		FINISH SEE NOTE 2	WEIGHT
CUSTOMER DRAWING		SCALE 4:1	SHEET 2 OF 2 REV A