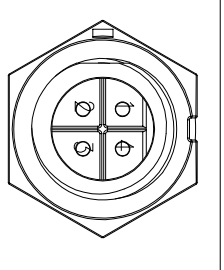
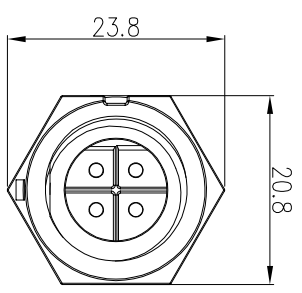
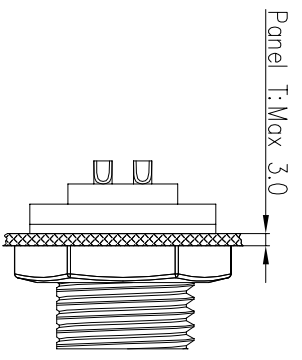
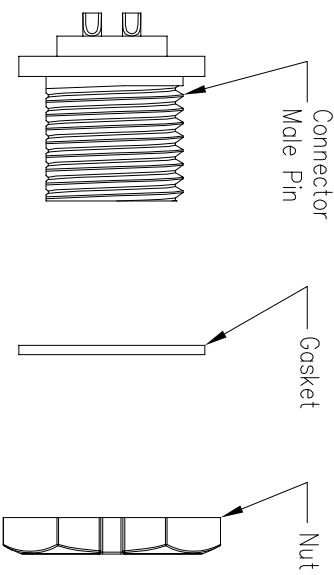
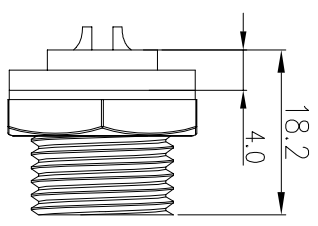
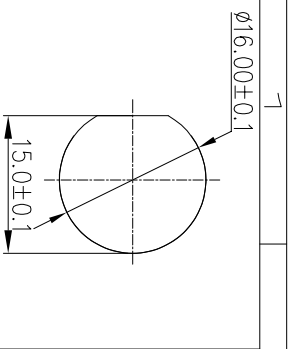


REV.	EN. NO.	DESCRIPTION	SIGN	DATE
C1	N/A	INITIAL DRAWING	Liu	2019/08/13



22XXXX515-01

4 Pin

P/N: 22004515-01

Pin Assignments
Front View

UNIT: mm

DESCRIPTION
Standard Series Screw
Front Mount With Male Pin

TOLERANCE	±0.25
.X	±0.15
.XX	±0.05
.XXX	
ANGLES	±1°

SCALE	1:1	SHEET	1 OF 1
REV	C1	SIZE	A4

* : Inspection Item

CHOGORI

- Specification:
1. Operation Temperature: -45°C~105°C.
 2. Insulation Resistance: 100MΩ at DC500V.
 3. Contact Resistance: <10mΩ
 4. Withstand Voltage: 1500V AC
 5. Operating Current: 10A
 6. Operating Voltage: AC 125V
 7. Waterproof Rate: IP67 (Mated)
 8. Housing: Nylon, Black
 9. Male Pin: Copper Alloy, Gold Plated
 10. Gasket: Silicon Gray
 11. Panel Nut: Nylon, Black
 12. RoHS Compliant.
 12. Torque Rate: 0.8~1.0N•m
 13. RoHS Compliant.
 14. Mating Cap P/N: 806-00030-00

PART NO	22XXXX515-01	DRAWN BY	Liu	DATE	2019/08/13
DWG NO		CHECKED BY	Mo	DATE	2019/08/13
CUSTOMER		APPROVED BY	Ponson	DATE	2019/08/13