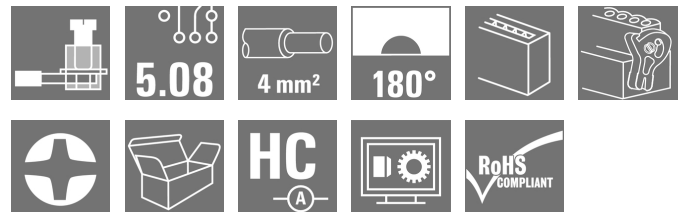


**OMNIMATE Signal - series BL/SL 5.08  
BLZP 5.08HC/08/180LR SN OR BX**

**Weidmüller Interface GmbH & Co. KG**  
Klingenbergstraße 16  
D-32758 Detmold  
Germany  
Fon: +49 5231 14-0  
Fax: +49 5231 14-292083  
www.weidmueller.com



Female plug with clamping-yoke screw system for connecting wires with straight (180°) outlet direction. The female connectors provide space for labelling and can be coded. Fastened by means of a flange or release latch. They also provide an integrated plus/minus screw, protection against faulty insertion of the wire, and they are delivered with open clamping yokes. HC = High Current.

**General ordering data**

|              |   |
|--------------|---|
| Type         | BLZP 5.08HC/08/180LR SN OR BX   |
| Order No.    | <a href="#">1944890000</a>  |
| Version      | PCB plug-in connector, female plug, 5.08 mm, No. of poles: 8, 180°, Screw connection, Clamping range, max. : 4 mm², Box |
| GTIN (EAN)   | 4032248619917   |
| Qty.         | 36 pc(s).   |
| Product data | IEC: 400 V / 23 A / 0.2 - 4 mm²<br>UL: 300 V / 20 A / AWG 26 - AWG 12   |
| Packaging    | Box   |

**OMNIMATE Signal - series BL/SL 5.08  
BLZP 5.08HC/08/180LR SN OR BX**

**Weidmüller Interface GmbH & Co. KG**  
 Klingenbergstraße 16  
 D-32758 Detmold  
 Germany  
 Fon: +49 5231 14-0  
 Fax: +49 5231 14-292083  
 www.weidmueller.com

**Technical data****Dimensions and weights**

|            |          |                 |            |
|------------|----------|-----------------|------------|
| Width      | 50.44 mm | Width (inches)  | 1.986 inch |
| Height     | 14.6 mm  | Height (inches) | 0.575 inch |
| Depth      | 29.6 mm  | Depth (inches)  | 1.165 inch |
| Net weight | 15.444 g |                 |            |

**system parameters**

|  |  |                            |                       |
|--|--|----------------------------|-----------------------|
| Product family                               | OMNIMATE Signal - series BL/SL 5.08    | Type of connection         | Field connection      |
| Wire connection method                       | Screw connection                       | Pitch in mm (P)            | 5.08 mm               |
| Pitch in inches (P)                          | 0.2 inch                               | Conductor outlet direction | 180°                  |
| No. of poles                                 | 8                                      | L1 in mm                   | 35.56 mm              |
| L1 in inches                                 | 1.4 inch                               | Number of rows             | 1                     |
| Pin series quantity                          | 1                                      | Rated cross-section        | 4 mm <sup>2</sup>     |
| Touch-safe protection acc. to DIN VDE 57 106 | Safe from finger touch                 | Volume resistance          | 5.00 mΩ               |
| Can be coded                                 | Yes                                    | Stripping length           | 7 mm                  |
| Tightening torque, min.                      | 0.4 Nm                                 | Tightening torque, max.    | 0.5 Nm                |
| Clamping screw                               | M 2.5                                  | Screwdriver blade          | 0.6 x 3.5, PH 1, PZ 1 |
| Screwdriver blade standard                   | DIN 5264, ISO 8764/2-PH, ISO 8764/2-PZ | Plugging cycles            | 25                    |
| Plugging force/pole, max.                    | 10 N                                   | Pulling force/pole, max.   | 9 N                   |

**Material data**

|                                       |                          |                                       |                     |
|---------------------------------------|--------------------------|---------------------------------------|---------------------|
| Insulating material                   | PBT                      | Colour code                           | orange              |
| Colour chart (similar)                | RAL 2000                 | Insulating material group             | Illa                |
| CTI                                   | ≥ 200                    | Insulation strength                   | ≥ 10 <sup>8</sup> Ω |
| UL 94 flammability rating             | V-0                      | GWFI                                  | 960 °C              |
| Contact material                      | Copper alloy             | Contact surface                       | tinned              |
| Layer structure of plug contact       | 4-8 μm Sn hot-dip tinned | Storage temperature, min.             | -25 °C              |
| Storage temperature, max.             | 55 °C                    | Max. relative humidity during storage | 80 %                |
| Operating temperature, min.           | -50 °C                   | Operating temperature, max.           | 100 °C              |
| Temperature range, installation, min. | -25 °C                   | Temperature range, installation, max. | 100 °C              |

**Conductors suitable for connection**

|   |                      |
|---|----------------------|
| Clamping range, min.  | 0.13 mm <sup>2</sup> |
| Clamping range, max.  | 4 mm <sup>2</sup>    |
| Wire connection cross section AWG, min.                             | AWG 30               |
| Wire connection cross section AWG, max.                             | AWG 12               |
| Solid, min. H05(07) V-U   | 0.2 mm <sup>2</sup>  |
| Solid, max. H05(07) V-U   | 4 mm <sup>2</sup>    |
| Flexible, min. H05(07) V-K  | 0.2 mm <sup>2</sup>  |
| Flexible, max. H05(07) V-K  | 4 mm <sup>2</sup>    |
| w. plastic collar ferrule, DIN 46228 pt 4, 0.2 mm <sup>2</sup> min. |                      |
| w. plastic collar ferrule, DIN 46228 pt 4, 2.5 mm <sup>2</sup> max. |                      |
| w. wire end ferrule, DIN 46228 pt 1, min 0.2 mm <sup>2</sup>        |                      |
| w. wire end ferrule, DIN 46228 pt 1, 4 mm <sup>2</sup> max.         |                      |
| Plug gauge in accordance with EN 60999 a x b; ø                     | 2.8 mm x 2.4 mm      |

Creation date April 19, 2019 5:16:09 PM CEST

## OMNIMATE Signal - series BL/SL 5.08 BLZP 5.08HC/08/180LR SN OR BX

**Weidmüller Interface GmbH & Co. KG**  
Klingenbergstraße 16  
D-32758 Detmold  
Germany  
Fon: +49 5231 14-0  
Fax: +49 5231 14-292083  
www.weidmueller.com

### Technical data

|                     |  |                  |                     |
|---------------------|--|------------------|---------------------|
| Clampable conductor | Cross-section for conductor connection | Type             | fine-wired          |
|                     |  | nominal          | 0.5 mm <sup>2</sup> |
|                     | AEH                                    | Stripping length | nominal 6 mm        |
|                     | Cross-section for conductor connection | Type             | fine-wired          |
|                     |  | nominal          | 1 mm <sup>2</sup>   |
|                     | AEH                                    | Stripping length | nominal 6 mm        |
|                     | Cross-section for conductor connection | Type             | fine-wired          |
|                     |  | nominal          | 1.5 mm <sup>2</sup> |
| Max. clamping range | AEH                                    | Stripping length | nominal 7 mm        |
|                     | Cross-section for conductor connection | Type             | fine-wired          |
|                     |  | nominal          | 2.5 mm <sup>2</sup> |
|                     | AEH                                    | Stripping length | nominal 7 mm        |
|                     | Cross-section for conductor connection | Type             | fine-wired          |
|                     |  | nominal          | 2.5 mm <sup>2</sup> |
|                     | AEH                                    | Stripping length | nominal 7 mm        |
|                     | AEH                                    | Stripping length | nominal 7 mm        |

### Rated data acc. to IEC

|   |                        |   |                   |
|---|------------------------|---|-------------------|
| tested acc. to standard   | IEC 60664-1, IEC 61984 | Rated current, min. no. of poles (Tu=20°C)                            | 23 A              |
| Rated current, max. no. of poles (Tu=20°C)                                | 18 A                   | Rated current, min. no. of poles (Tu=40°C)                            | 21 A              |
| Rated current, max. no. of poles (Tu=40°C)                                | 16 A                   | Rated voltage for surge voltage class / pollution degree II/2         | 400 V             |
| Rated voltage for surge voltage class / pollution degree III/2            | 320 V                  | Rated voltage for surge voltage class / pollution degree III/3        | 250 V             |
| Rated impulse voltage for surge voltage class/ pollution degree II/2      | 4 kV                   | Rated impulse voltage for surge voltage class/ pollution degree III/2 | 4 kV              |
| Rated impulse voltage for surge voltage class/ contamination degree III/3 | 4 kV                   | Short-time withstand current resistance                               | 3 x 1s with 120 A |

### Rated data acc. to CSA

|                                   |        |                                   |  |
|-----------------------------------|--------|-----------------------------------|--|
| Institute (CSA)                   |        | Certificate No. (CSA)             | 200039-1121690   |
| Rated voltage (Use group B / CSA) | 300 V  | Rated voltage (Use group C / CSA) | 50 V   |
| Rated voltage (Use group D / CSA) | 300 V  | Rated current (Use group B / CSA) | 20 A   |
| Rated current (Use group D / CSA) | 20 A   | Wire cross-section, AWG, min.     | AWG 30   |
| Wire cross-section, AWG, max.     | AWG 12 | Reference to approval values      | Specifications are maximum values, details - see approval certificate. |

### Rated data acc. to UL 1059

|                                       |  |                                       |        |
|---------------------------------------|--|---------------------------------------|--------|
| Institute (UR)                        |  | Certificate No. (UR)                  | E60693 |
| Institute (cURus)                     |  | Certificate No. (cURus)               | E60693 |
| Rated voltage (Use group B / UL 1059) | 300 V  | Rated voltage (Use group D / UL 1059) | 300 V  |
| Rated current (Use group B / UL 1059) | 20 A   | Rated current (Use group D / UL 1059) | 10 A   |
| Wire cross-section, AWG, min.         | AWG 26   | Wire cross-section, AWG, max.         | AWG 12 |
| Reference to approval values          | Specifications are maximum values, details - see approval certificate. |                                       |        |

**Data sheet**

**OMNIMATE Signal - series BL/SL 5.08  
BLZP 5.08HC/08/180LR SN OR BX**

**Weidmüller Interface GmbH & Co. KG**  
Klingenbergstraße 16  
D-32758 Detmold  
Germany  
Fon: +49 5231 14-0  
Fax: +49 5231 14-292083  
www.weidmueller.com

**Technical data**

**Packing**

|           |        |            |        |
|-----------|--------|------------|--------|
| Packaging | Box    | VPE length | 35 mm  |
| VPE width | 135 mm | VPE height | 350 mm |

**Classifications**

|            |             |            |             |
|------------|-------------|------------|-------------|
| ETIM 4.0   | EC002637    | ETIM 5.0   | EC002637    |
| ETIM 6.0   | EC002637    | UNSPSC     | 30-21-18-01 |
| eClass 6.2 | 27-26-07-04 | eClass 7.1 | 27-44-04-02 |
| eClass 8.1 | 27-44-04-02 | eClass 9.0 | 27-44-04-02 |
| eClass 9.1 | 27-44-04-02 |            |             |

**Notes**

|       |   |
|-------|---|
| Notes | <ul style="list-style-type: none"> <li>• Additional colours on request</li> <li>• Gold-plated contact surfaces on request</li> <li>• Rated current related to rated cross-section &amp; min. No. of poles.</li> <li>• Wire end ferrule without plastic collar to DIN 46228/1</li> <li>• Wire end ferrule with plastic collar to DIN 46228/4</li> <li>• P on drawing = pitch</li> <li>• Rated data refer only to the component itself. Clearance and creepage distances to other components are to be designed in accordance with the relevant application standards.</li> </ul> |
|-------|---|

|                |  |
|----------------|--|
| IPC conformity | Conformity: The products are developed, manufactured and delivered according international recognized standards and norms and comply with the assured properties in the data sheet resp. fulfill decorative properties in accordance with IPC-A-610 "Class 2". Further claims on the products can be evaluated on request. |
|----------------|--|

**Approvals**

|           |  |
|-----------|--|
| Approvals |  |
|-----------|--|

|      |         |
|------|---------|
| ROHS | Conform |
|------|---------|

**Data sheet****OMNIMATE Signal - series BL/SL 5.08  
BLZP 5.08HC/08/180LR SN OR BX**

**Weidmüller Interface GmbH & Co. KG**  
Klingenbergstraße 16  
D-32758 Detmold  
Germany  
Fon: +49 5231 14-0  
Fax: +49 5231 14-292083  
www.weidmueller.com

**Technical data****Downloads**

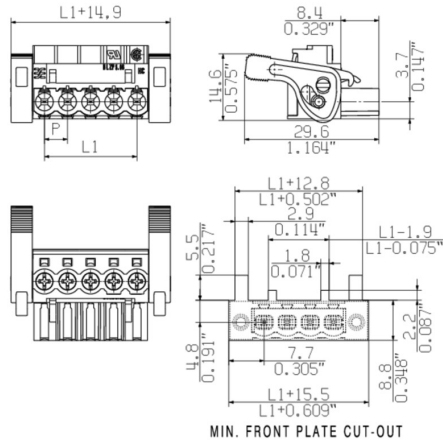
|   |  |
|---|--|
| Approval/Certificate/Document of Conformity | <a href="#">CB Certificate</a><br><a href="#">CB Testreport</a><br><a href="#">Declaration of the Manufacturer</a>   |
| Brochure/Catalogue                          | <a href="#">FL DRIVES EN</a><br><a href="#">MB DEVICE MANUF. EN</a><br><a href="#">FL DRIVES DE</a><br><a href="#">CAT 2 PORTFOLIOGUIDE EN</a><br><a href="#">FL BUILDING SAFETY EN</a><br><a href="#">FL APPL LED LIGHTING EN</a><br><a href="#">FLIndustr.CONTROLS EN</a><br><a href="#">FL MACHINE SAFETY EN</a><br><a href="#">FL HEATING ELECTR EN</a><br><a href="#">FL APPL INVERTER EN</a><br><a href="#">FL_BASE_STATION_EN</a><br><a href="#">FL ELEVATOR EN</a><br><a href="#">FL POWER SUPPLY EN</a><br><a href="#">FL 72H SAMPLE SER EN</a><br><a href="#">PO OMNIMATE EN</a> |
| Engineering Data                            | <a href="#">EPLAN, WSCAD</a>   |
| Engineering Data                            | <a href="#">STEP</a>   |

**OMNIMATE Signal - series BL/SL 5.08  
BLZP 5.08HC/08/180LR SN OR BX**

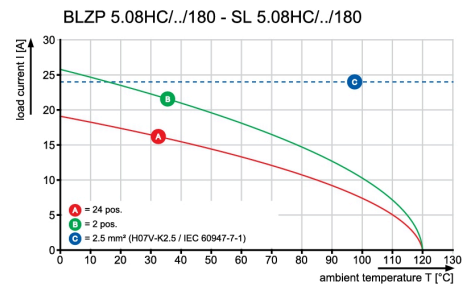
**Weidmüller Interface GmbH & Co. KG**  
Klingenbergstraße 16  
D-32758 Detmold  
Germany  
Fon: +49 5231 14-0  
Fax: +49 5231 14-292083  
www.weidmueller.com

**Drawings**

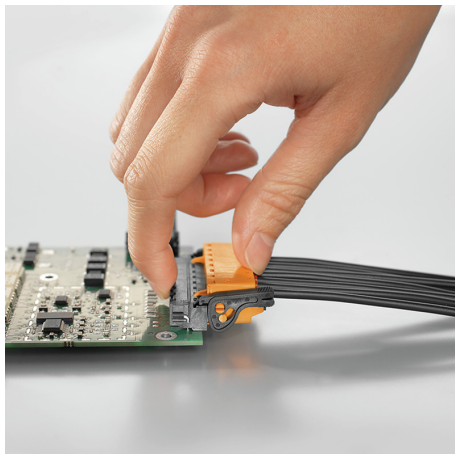
**Dimensional drawing**



**Graph**

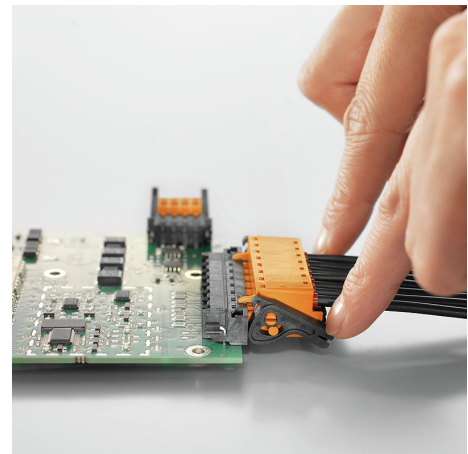


**Product benefits**



**Self-locking**  
Immediately on plugging in

**Product benefits**

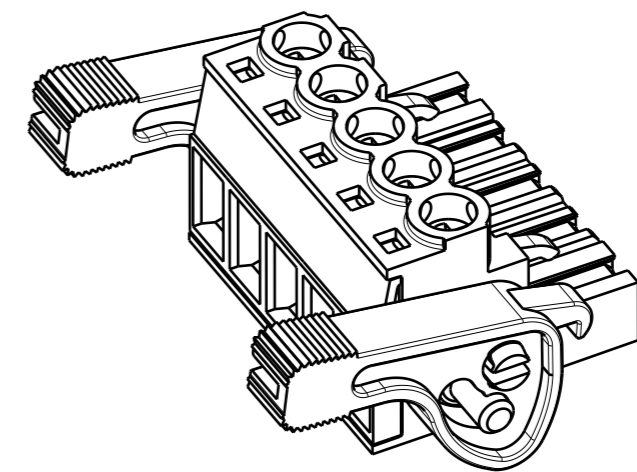
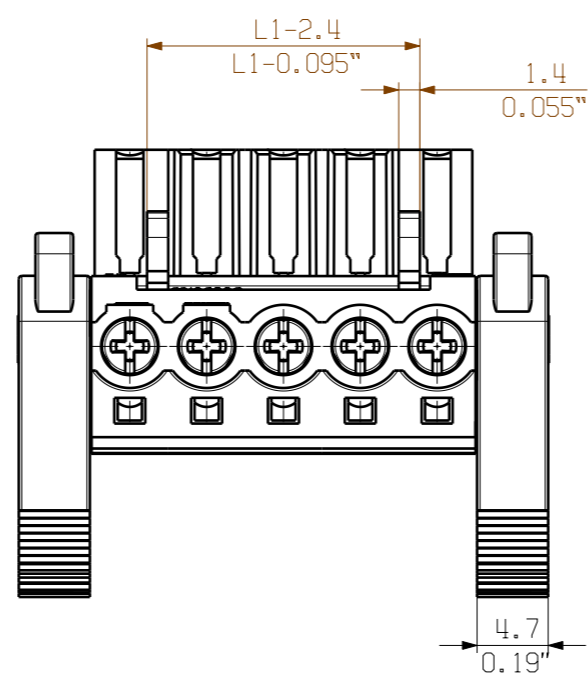
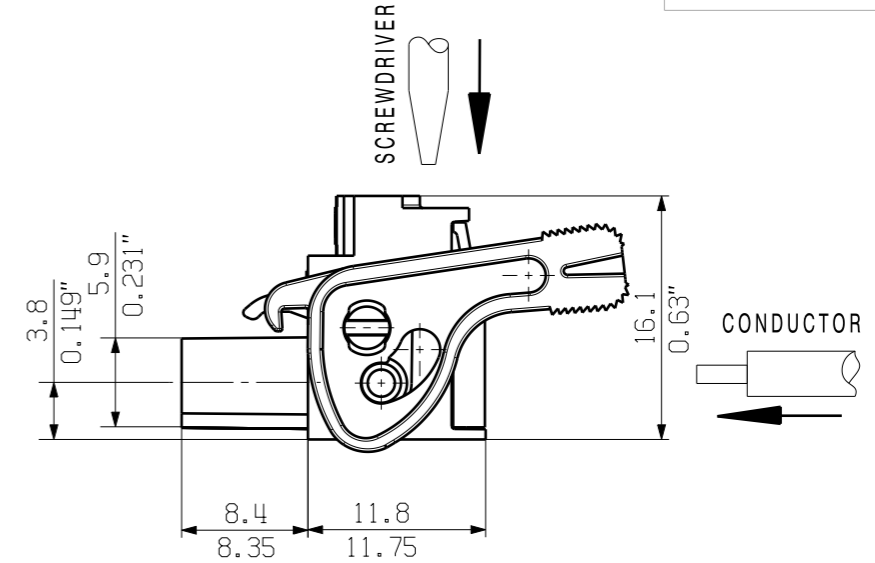
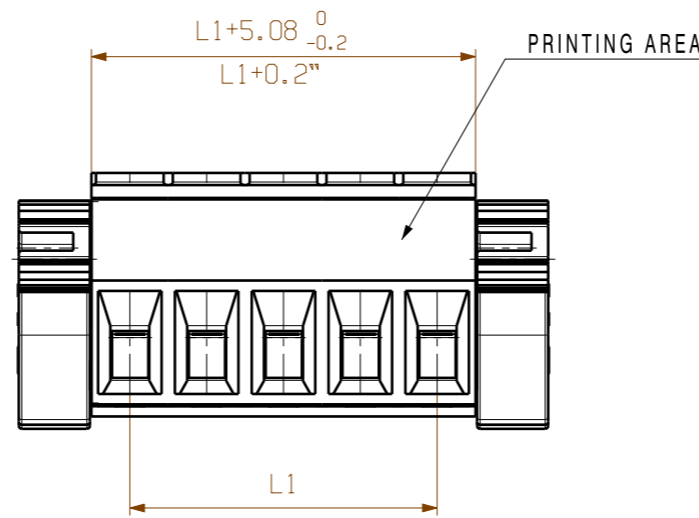


**Gentle unlocking**  
Low mechanical stress

MASSE OHNE TOLERANZ SIND KEINE PRUEFMASSE  
 DIMS. WITHOUT TOLERANCE ARE NOT CONTROL DIMS.

DIE DEUTSCHE VERSION IST VERBINDLICH  
 THE GERMAN VERSION IS BINDING

WEITERGABE SOWIE VERVIELFAELTIGUNG DIESES DOKUMENTS, VERWERTUNG UND MITTEILUNG SEINES INHALTS SIND VERBOTEN, SOWEIT NICHT AUSDRUECKLICH GESTATTET.  
 ZUWIDERHANDLUNGEN VERPFLICHTEN ZU SCHADENERSATZ. ALLE RECHTE FUER DEN FALL DER PATENT-, GEBRAUCHSMUSTER- ODER GESCHMACKSMUSTEREINTRAGUNG VORBEHALTEN.  
 THE REPRODUCTION, DISTRIBUTION AND UTILIZATION OF THIS DOCUMENT AS WELL AS THE COMMUNICATION OF ITS CONTENTS TO OTHERS WITHOUT EXPLICIT AUTHORIZATION IS PROHIBITED.  
 OFFENDERS WILL BE HELD LIABLE FOR THE PAYMENT OF DAMAGES. WEIDMUELLER EXCLUSIVELY RESERVES THE RIGHT TO FILE FOR PATENTS, UTILITY MODELS OR DESIGNS.  
 © WEIDMUELLER INTERFACE GmbH & Co.KG



|    |         |           |
|----|---------|-----------|
| 24 | 116,84  | 4,600     |
| 23 | 111,76  | 4,400     |
| 22 | 106,68  | 4,200     |
| 21 | 101,60  | 4,000     |
| 20 | 96,52   | 3,800     |
| 19 | 91,44   | 3,600     |
| 18 | 86,36   | 3,400     |
| 17 | 81,28   | 3,200     |
| 16 | 76,20   | 3,000     |
| 15 | 71,12   | 2,800     |
| 14 | 66,04   | 2,600     |
| 13 | 60,96   | 2,400     |
| 12 | 55,88   | 2,200     |
| 11 | 50,80   | 2,000     |
| 10 | 45,72   | 1,800     |
| 9  | 40,64   | 1,600     |
| 8  | 35,56   | 1,400     |
| 7  | 30,48   | 1,200     |
| 6  | 25,40   | 1,000     |
| 5  | 20,32   | 0,800     |
| 4  | 15,24   | 0,600     |
| 3  | 10,16   | 0,400     |
| 2  | 5,08    | 0,200     |
| n  | L1 [mm] | L1 [Inch] |

P = 5.08 RASTER/PITCH  
 n = POLZAHL/NO OF POLES

For the mounting of PCBs, it should be noted that the rated data given in the catalogue relates only to the connection elements. The necessary creepage and clearance paths must be observed in connection with the respective applicant in accordance to VDE 0110. The current-carrying capacity and pitch tolerance is to be determined according to DIN IEC 326 part 3 very fine.

Weidmüller connectors are tested to the DIN VDE 0627 standard, and are valid for its field of application. Provided that the connectors are used to the intended purpose, all requirements with respect to the occurring of electrical, mechanical, thermic and corrosive stress will be satisfied.

SHOWN: BLZP 5.08HC/05/180 LR

|                           |                                 |                   |                               |
|---------------------------|---------------------------------|-------------------|-------------------------------|
|                           | 78302/4<br>08.04.15 HERTEL_S 01 | CAT.NO.:          |                               |
|                           | MODIFICATION                    | <b>Weidmüller</b> |                               |
| DRAWN 05.09.2005 KRUG_M   | DATE                            | NAME              | DRAWING NO. <b>C 39784</b> 09 |
| RESPONSIBLE KRUG_M        | CHECKED 27.04.2015 HERTEL_S     | APPROVED LANG_T   | SHEET 02 OF 04 SHEETS         |
| SCALE: 2/1<br>SUPERSEDES: | PRODUCT FILE: BLZP 5.0X WG 180  |                   | 7157                          |

**BLZP 5.08HC/.../180...**  
 BUCHSENLEISTE  
 SOCKET BLOCK