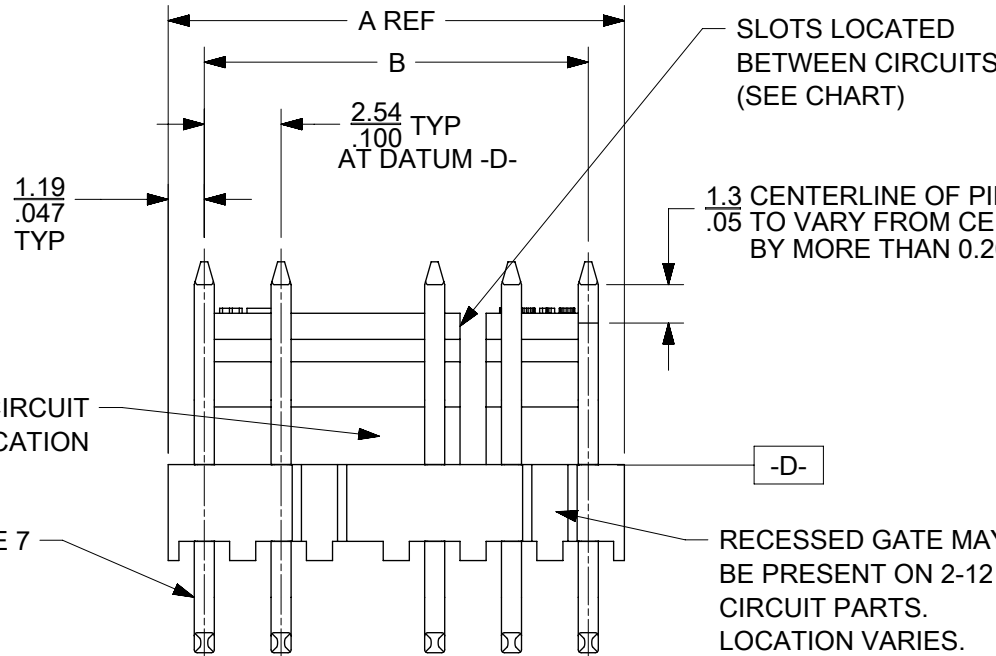
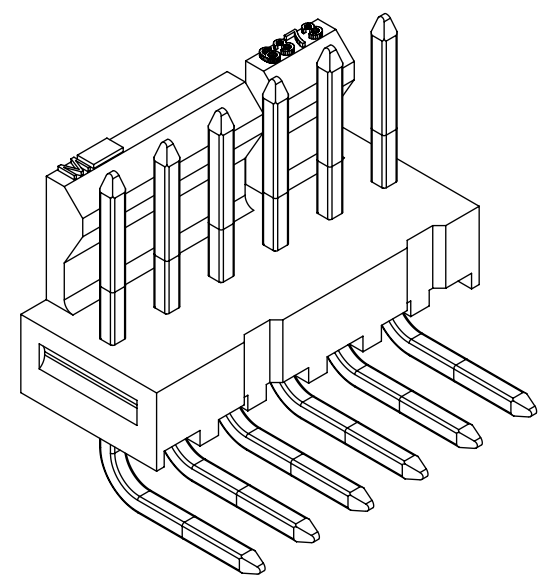
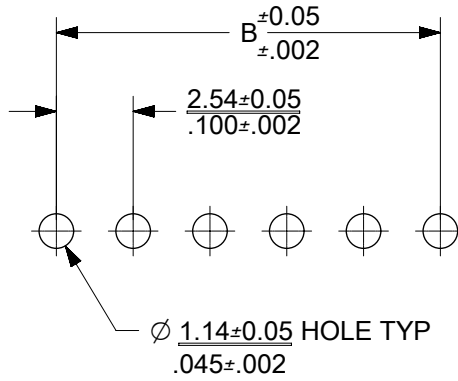
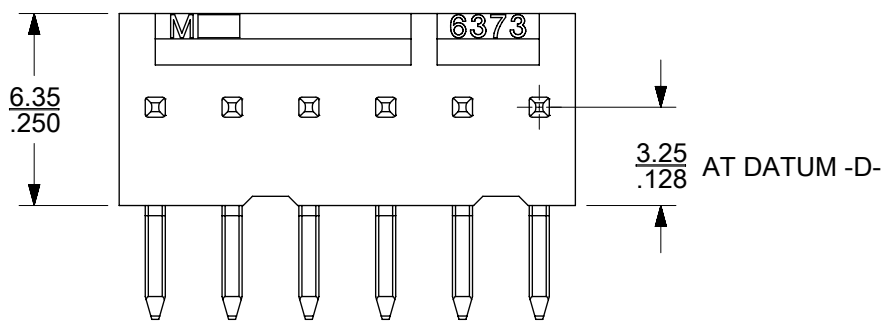


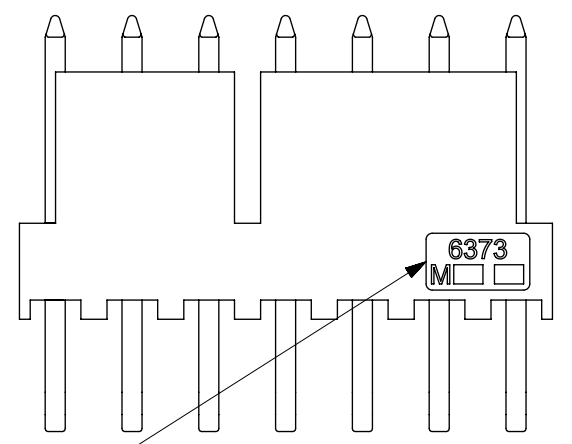
| CKT | A              | B                        | SLOTS LOCATION |
|-----|----------------|--------------------------|----------------|
| 02  | 4.93<br>.194   | 2.54±0.05<br>.100±.002   | NONE           |
| 03  | 7.47<br>.294   | 5.08±0.10<br>.200±.004   | NONE           |
| 04  | 10.01<br>.394  | 7.62±0.15<br>.300±.006   | NONE           |
| 05  | 12.55<br>.494  | 10.16±0.15<br>.400±.006  | NONE           |
| 06  | 15.09<br>.594  | 12.70±0.18<br>.500±.007  | 4, 5           |
| 07  | 17.63<br>.694  | 15.24±0.18<br>.600±.007  | 4, 5           |
| 08  | 20.17<br>.794  | 17.78±0.20<br>.700±.008  | 4, 5           |
| 09  | 22.71<br>.894  | 20.32±0.20<br>.800±.008  | 4, 5           |
| 10  | 25.25<br>.994  | 22.86±0.23<br>.900±.009  | 4, 5           |
| 11  | 27.79<br>1.094 | 25.40±0.23<br>1.000±.009 | 4, 5<br>8, 9   |
| 12  | 30.33<br>1.194 | 27.94±0.25<br>1.100±.010 | 4, 5<br>8, 9   |



OPTIONAL VOIDED CIRCUIT  
SEE CHART FOR LOCATION

CIRCUIT #1 REF, SEE NOTE 7

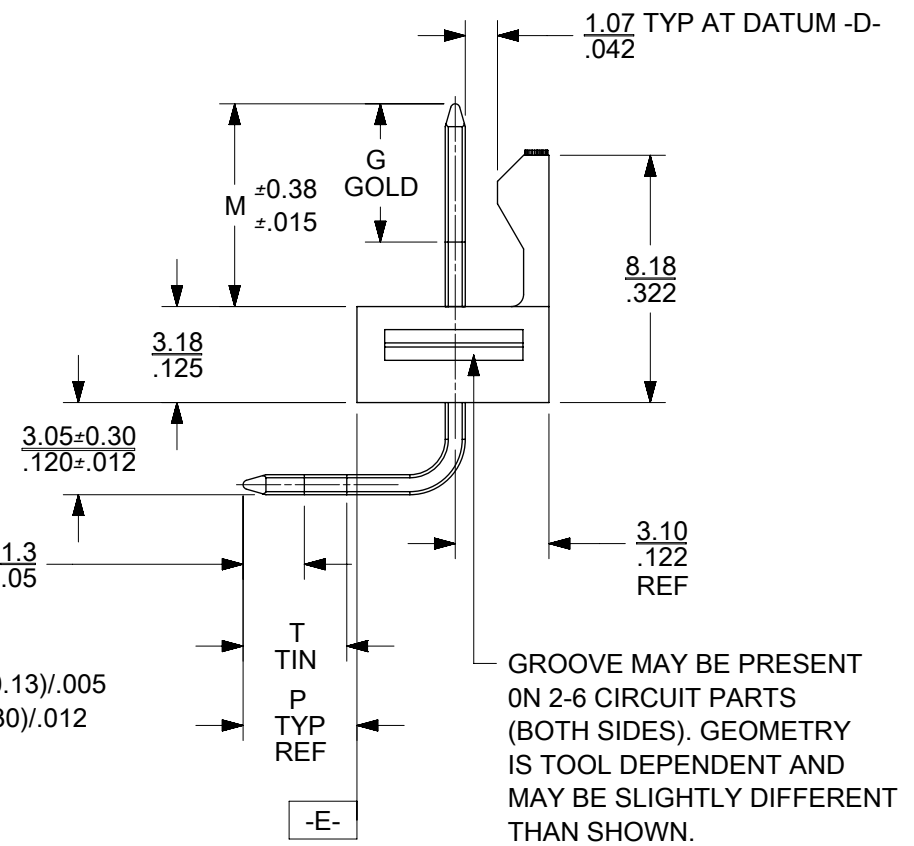
RECESSED GATE MAY  
BE PRESENT ON 2-12  
CIRCUIT PARTS.  
LOCATION VARIES.



ALTERNATE ENGRAVING LOCATION  
(7-12 CKT PARTS ONLY). LOCATION  
IS DEPENDENT ON TOOLING.

CENTERLINE OF PIN IN AREA SHOWN  
NOT TO VARY FROM CENTERLINE OF  
PIN AT DATUM -E- BY MORE THAN  
1.3  
.05  
\*\*\* IN ANY DIRECTION.

DIMENSION P UNDER (3.58)/.141 = (0.13)/.005  
DIMENSION P OVER (3.61)/.142 = (0.30)/.012



GROOVE MAY BE PRESENT  
ON 2-6 CIRCUIT PARTS  
(BOTH SIDES). GEOMETRY  
IS TOOL DEPENDENT AND  
MAY BE SLIGHTLY DIFFERENT  
THAN SHOWN.

- NOTES:
- MATERIAL: HOUSING: NYLON, UL 94V-1, COLOR: BLACK  
PINS: BRASS
  - FINISH:  
(197) = OVERALL REFLOWED MATTE TIN: 0.00152/.000060 MIN OVER  
0.00127/.000050 MIN NICKEL.  
(208) = SELECT GOLD: 0.00038/.000015 MIN,  
SELECT MATTE TIN: 0.00254/.000100 MIN,  
BOTH OVER 0.00127/.000050 MIN NICKEL.  
(228) = SELECT GOLD: 0.00076/.000030 MIN,  
SELECT MATTE TIN: 0.00254/.000100 MIN,  
BOTH OVER 0.00127/.000050 MIN NICKEL.
  - PRODUCT SPECIFICATION AND PROCESS PARAMETERS: PS-171856-0001,  
PS-171856-0002
  - PACKAGING INFORMATION: SEE CHART.
  - MATES WITH 4455, 2695, 6471 SERIES
  - PARTS ARE STACKABLE END TO END ON 2.54/.100 CENTERS.
  - CIRCUIT ONE DESIGNATION IS USED TO DEFINE VOID LOCATION. CIRCUIT ONE  
MAY OR MAY NOT LINE UP WITH CIRCUIT ONE ON THE MATING HOUSING.
  - PIN PUSHOUT FORCE: 2 LBS MIN.
  - THIS PART CONFORMS TO CLASS B REQUIREMENTS OF COSMETIC  
SPECIFICATION PS-45499-002.
  - THE PARTS LISTED ON THIS DRAWING ARE CONSTRUCTED TO MEET THE  
REQUIREMENT FOR DIRECT SUPPORT OF UNINSULATED LIVE PARTS AS  
DESCRIBED IN UL508C.

|   |   |   |  |  |                           |                                 |                               |  |
|---|---|---|--|--|---------------------------|---------------------------------|-------------------------------|--|
| QUALITY SYMBOLS<br>▽ = 0<br>▽ = 0<br>▽ = 0<br>▽ = 0<br>▽ = 0<br>▽ = 0<br>▽ = 0<br>▽ = 0<br>▽ = 0<br>▽ = 0<br>▽ = 0<br>▽ = 0 | ADD VIEW, NOTE 10<br>EC NO: 111298<br>DRWN: MKIPPER<br>CHKD: MKIPPER<br>APPR: FSMITH<br>REV: B1 | THIS DRAWING CONTAINS INFORMATION THAT IS PROPRIETARY TO MOLEX ELECTRONIC TECHNOLOGIES, LLC AND SHOULD NOT BE USED WITHOUT WRITTEN PERMISSION |  | DIMENSION UNITS<br><b>MM/IN</b>          | SCALE<br><b>4:1</b>       |                                 |                               |  |
|   |   | GENERAL TOLERANCES (UNLESS SPECIFIED)   |  | DRWN BY<br><b>MKIPPER</b>                | DATE<br><b>2012/12/05</b> |                                 |                               |  |
|   |   | 4 PLACES ± ±<br>3 PLACES ± ± 0.01<br>2 PLACES ± 0.25 ± 0.015<br>1 PLACES ± 0.38 ±<br>0 PLACES ± ±   |  | CHK'D BY<br><b>SSOUSEK</b>               | DATE<br><b>2012/12/12</b> | <b>PRODUCT CUSTOMER DRAWING</b> |                               |  |
|   |   | ANGULAR TOL ± 0.5<br>DRAFT WHERE APPLICABLE<br>MUST REMAIN<br>WITHIN DIMENSIONS   |  | APPR BY<br><b>FSMITH</b>                 | DATE<br><b>2013/06/11</b> |                                 |                               |  |
| DRAWING SIZE<br><b>B</b>  |   | THIRD ANGLE PROJECTION  |  | DOCUMENT NUMBER<br><b>SD-171857-0001</b> | DOC TYPE<br><b>PSD</b>    | DOC PART<br><b>000</b>          | SHEET NUMBER<br><b>1 OF *</b> |  |

|                |              |
|----------------|--------------|
| RELEASE STATUS | RELEASE DATE |
|----------------|--------------|

|              |                   |      |                 |          |
|--------------|-------------------|------|-----------------|----------|
| GROUP:       | 171857-0002/-0012 |      |                 |          |
| PLATING:     | 197               |      |                 |          |
| MATING: (M)  | 6.73 / .265       |      |                 |          |
| DIM. G:      | N/A               |      |                 |          |
| PC TAIL: (P) | 2.54 / .100       |      |                 |          |
| DIM T:       | OVERALL           |      |                 |          |
| PACKAGING:   | PK-7478-001 BULK  |      |                 |          |
| CKTS         | MATERIAL NUMBER   | CKTS | MATERIAL NUMBER | VOID CKT |
| 2            | 171857-0002       |      |                 |          |
| 3            | 171857-0003       |      |                 |          |
| 4            | 171857-0004       |      |                 |          |
| 5            | 171857-0005       |      |                 |          |
| 6            | 171857-0006       |      |                 |          |
| 7            | 171857-0007       |      |                 |          |
| 8            | 171857-0008       |      |                 |          |
| 9            | 171857-0009       |      |                 |          |
| 10           | 171857-0010       |      |                 |          |
| 11           | 171857-0011       |      |                 |          |
| 12           | 171857-0012       |      |                 |          |

|              |                   |      |                 |          |
|--------------|-------------------|------|-----------------|----------|
| GROUP:       | 171857-1002/-1012 |      |                 |          |
| PLATING:     | 208               |      |                 |          |
| MATING: (M)  | 6.73 / .265       |      |                 |          |
| DIM. G:      | 5.08 / .200       |      |                 |          |
| PC TAIL: (P) | 2.54 / .100       |      |                 |          |
| DIM T:       | 3.43 / .135       |      |                 |          |
| PACKAGING:   | PK-7478-001 BULK  |      |                 |          |
| CKTS         | MATERIAL NUMBER   | CKTS | MATERIAL NUMBER | VOID CKT |
| 2            | 171857-1002       |      |                 |          |
| 3            | 171857-1003       |      |                 |          |
| 4            | 171857-1004       |      |                 |          |
| 5            | 171857-1005       |      |                 |          |
| 6            | 171857-1006       |      |                 |          |
| 7            | 171857-1007       |      |                 |          |
| 8            | 171857-1008       |      |                 |          |
| 9            | 171857-1009       |      |                 |          |
| 10           | 171857-1010       |      |                 |          |
| 11           | 171857-1011       |      |                 |          |
| 12           | 171857-1012       |      |                 |          |

|              |                   |      |                 |          |
|--------------|-------------------|------|-----------------|----------|
| GROUP:       | 171857-2002/-2012 |      |                 |          |
| PLATING:     | 228               |      |                 |          |
| MATING: (M)  | 6.73 / .265       |      |                 |          |
| DIM. G:      | 5.08 / .200       |      |                 |          |
| PC TAIL: (P) | 2.54 / .100       |      |                 |          |
| DIM T:       | 3.43 / .135       |      |                 |          |
| PACKAGING:   | PK-7478-001 BULK  |      |                 |          |
| CKTS         | MATERIAL NUMBER   | CKTS | MATERIAL NUMBER | VOID CKT |
| 2            | 171857-2002       |      |                 |          |
| 3            | 171857-2003       |      |                 |          |
| 4            | 171857-2004       |      |                 |          |
| 5            | 171857-2005       |      |                 |          |
| 6            | 171857-2006       |      |                 |          |
| 7            | 171857-2007       |      |                 |          |
| 8            | 171857-2008       |      |                 |          |
| 9            | 171857-2009       |      |                 |          |
| 10           | 171857-2010       |      |                 |          |
| 11           | 171857-2011       |      |                 |          |
| 12           | 171857-2012       |      |                 |          |

|   |  |  |                               |
|---|--|--|-------------------------------|
| REV:<br><b>A3</b>                             | ECR/ECN INFORMATION:<br>EC No.: <b>UCP2015-1230</b><br>DATE: <b>10/23/2017</b> | TITLE:<br><b>KK RPC 100 RIGHT ANGLE HEADER ASSEMBLY, FRICTION LOCK</b> | SHEET No.<br><b>- 2 -</b>     |
| DOCUMENT NUMBER:<br><b>SD - 171857 - 0001</b> |  | CREATED / REVISED BY:<br><b>MKIPPER</b>                                | CHECKED BY:<br><b>NNGUYEN</b> |
|   |  | APPROVED BY:<br><b>FSMITH</b>  |                               |

|              |                   |      |                 |          |
|--------------|-------------------|------|-----------------|----------|
| GROUP:       | 171857-0102/-0112 |      |                 |          |
| PLATING:     | 197               |      |                 |          |
| MATING: (M)  | 6.71 / .264       |      |                 |          |
| DIM. G:      | N/A               |      |                 |          |
| PC TAIL: (P) | 3.58 / .141       |      |                 |          |
| DIM T:       | OVERALL           |      |                 |          |
| PACKAGING:   | PK-7478-001 BULK  |      |                 |          |
| CKTS         | MATERIAL NUMBER   | CKTS | MATERIAL NUMBER | VOID CKT |
| 2            | 171857-0102       |      |                 |          |
| 3            | 171857-0103       |      |                 |          |
| 4            | 171857-0104       |      |                 |          |
| 5            | 171857-0105       |      |                 |          |
| 6            | 171857-0106       |      |                 |          |
| 7            | 171857-0107       |      |                 |          |
| 8            | 171857-0108       |      |                 |          |
| 9            | 171857-0109       |      |                 |          |
| 10           | 171857-0110       |      |                 |          |
| 11           | 171857-0111       |      |                 |          |
| 12           | 171857-0112       |      |                 |          |

|              |                   |      |                 |          |
|--------------|-------------------|------|-----------------|----------|
| GROUP:       | 171857-1102/-1112 |      |                 |          |
| PLATING:     | 208               |      |                 |          |
| MATING: (M)  | 6.71 / .264       |      |                 |          |
| DIM. G:      | 4.57 / .180       |      |                 |          |
| PC TAIL: (P) | 3.58 / .141       |      |                 |          |
| DIM T:       | 3.43 / .135       |      |                 |          |
| PACKAGING:   | PK-7478-001 BULK  |      |                 |          |
| CKTS         | MATERIAL NUMBER   | CKTS | MATERIAL NUMBER | VOID CKT |
| 2            | 171857-1102       |      |                 |          |
| 3            | 171857-1103       |      |                 |          |
| 4            | 171857-1104       |      |                 |          |
| 5            | 171857-1105       |      |                 |          |
| 6            | 171857-1106       |      |                 |          |
| 7            | 171857-1107       |      |                 |          |
| 8            | 171857-1108       |      |                 |          |
| 9            | 171857-1109       |      |                 |          |
| 10           | 171857-1110       |      |                 |          |
| 11           | 171857-1111       |      |                 |          |
| 12           | 171857-1112       |      |                 |          |

|              |                 |      |                 |          |
|--------------|-----------------|------|-----------------|----------|
| GROUP:       |                 |      |                 |          |
| PLATING:     |                 |      |                 |          |
| MATING: (M)  |                 |      |                 |          |
| DIM. G:      |                 |      |                 |          |
| PC TAIL: (P) |                 |      |                 |          |
| DIM T:       |                 |      |                 |          |
| PACKAGING:   |                 |      |                 |          |
| CKTS         | MATERIAL NUMBER | CKTS | MATERIAL NUMBER | VOID CKT |
| 2            |                 |      |                 |          |
| 3            |                 |      |                 |          |
| 4            |                 |      |                 |          |
| 5            |                 |      |                 |          |
| 6            |                 |      |                 |          |
| 7            |                 |      |                 |          |
| 8            |                 |      |                 |          |
| 9            |                 |      |                 |          |
| 10           |                 |      |                 |          |
| 11           |                 |      |                 |          |
| 12           |                 |      |                 |          |

|   |  |  |                               |
|---|--|--|-------------------------------|
| REV:<br><b>A3</b>                             | ECR/ECN INFORMATION:<br>EC No.: <b>UCP2015-1230</b><br>DATE: <b>10/23/2017</b> | TITLE:<br><b>KK RPC 100 RIGHT ANGLE HEADER ASSEMBLY, FRICTION LOCK</b> | SHEET No.<br><b>- 3 -</b>     |
| DOCUMENT NUMBER:<br><b>SD - 171857 - 0001</b> |  | CREATED / REVISED BY:<br><b>MKIPPER</b>                                | CHECKED BY:<br><b>NNGUYEN</b> |
|   |  | APPROVED BY:<br><b>FSMITH</b>  |                               |

|              |                                 |      |                 |          |
|--------------|---------------------------------|------|-----------------|----------|
| GROUP:       | 171857-3002/-3012               |      |                 |          |
| PLATING:     | 197                             |      |                 |          |
| MATING: (M)  | 6.73 / .265                     |      |                 |          |
| DIM. G:      | N/A                             |      |                 |          |
| PC TAIL: (P) | 2.54 / .100                     |      |                 |          |
| DIM T:       | OVERALL                         |      |                 |          |
| PACKAGING:   | PK-171857-0001<br>TAPE AND REEL |      |                 |          |
| CKTS         | MATERIAL NUMBER                 | CKTS | MATERIAL NUMBER | VOID CKT |
| 2            | 171857-3002                     |      |                 |          |
| 3            | 171857-3003                     |      |                 |          |
| 4            | 171857-3004                     |      |                 |          |
| 5            | 171857-3005                     |      |                 |          |
| 6            | 171857-3006                     |      |                 |          |
| 7            | 171857-3007                     |      |                 |          |
| 8            | 171857-3008                     |      |                 |          |
| 9            | 171857-3009                     |      |                 |          |
| 10           | 171857-3010                     |      |                 |          |
| 11           | 171857-3011                     |      |                 |          |
| 12           | 171857-3012                     |      |                 |          |

|              |                                 |      |                 |          |
|--------------|---------------------------------|------|-----------------|----------|
| GROUP:       | 171857-4002/-4012               |      |                 |          |
| PLATING:     | 208                             |      |                 |          |
| MATING: (M)  | 6.73 / .265                     |      |                 |          |
| DIM. G:      | 5.08 / .200                     |      |                 |          |
| PC TAIL: (P) | 2.54 / .100                     |      |                 |          |
| DIM T:       | 3.43 / .135                     |      |                 |          |
| PACKAGING:   | PK-171857-0001<br>TAPE AND REEL |      |                 |          |
| CKTS         | MATERIAL NUMBER                 | CKTS | MATERIAL NUMBER | VOID CKT |
| 2            | 171857-4002                     |      |                 |          |
| 3            | 171857-4003                     |      |                 |          |
| 4            | 171857-4004                     |      |                 |          |
| 5            | 171857-4005                     |      |                 |          |
| 6            | 171857-4006                     |      |                 |          |
| 7            | 171857-4007                     |      |                 |          |
| 8            | 171857-4008                     |      |                 |          |
| 9            | 171857-4009                     |      |                 |          |
| 10           | 171857-4010                     |      |                 |          |
| 11           | 171857-4011                     |      |                 |          |
| 12           | 171857-4012                     |      |                 |          |

|              |                 |      |                 |          |
|--------------|-----------------|------|-----------------|----------|
| GROUP:       |                 |      |                 |          |
| PLATING:     |                 |      |                 |          |
| MATING: (M)  |                 |      |                 |          |
| DIM. G:      |                 |      |                 |          |
| PC TAIL: (P) |                 |      |                 |          |
| DIM T:       |                 |      |                 |          |
| PACKAGING:   |                 |      |                 |          |
| CKTS         | MATERIAL NUMBER | CKTS | MATERIAL NUMBER | VOID CKT |
| 2            |                 |      |                 |          |
| 3            |                 |      |                 |          |
| 4            |                 |      |                 |          |
| 5            |                 |      |                 |          |
| 6            |                 |      |                 |          |
| 7            |                 |      |                 |          |
| 8            |                 |      |                 |          |
| 9            |                 |      |                 |          |
| 10           |                 |      |                 |          |
| 11           |                 |      |                 |          |
| 12           |                 |      |                 |          |

|   |  |  |                               |
|---|--|--|-------------------------------|
| REV:<br><b>A3</b>                             | ECR/ECN INFORMATION:<br>EC No.: <b>UCP2015-1230</b><br>DATE: <b>10/23/2017</b> | TITLE:<br><b>KK RPC 100 RIGHT ANGLE HEADER<br/>ASSEMBLY, FRICTION LOCK</b> | SHEET No.<br><b>- 4 -</b>     |
| DOCUMENT NUMBER:<br><b>SD - 171857 - 0001</b> |  | CREATED / REVISED BY:<br><b>MKIPPER</b>                                    | CHECKED BY:<br><b>NNGUYEN</b> |
|   |  | APPROVED BY:<br><b>FSMITH</b>  |                               |