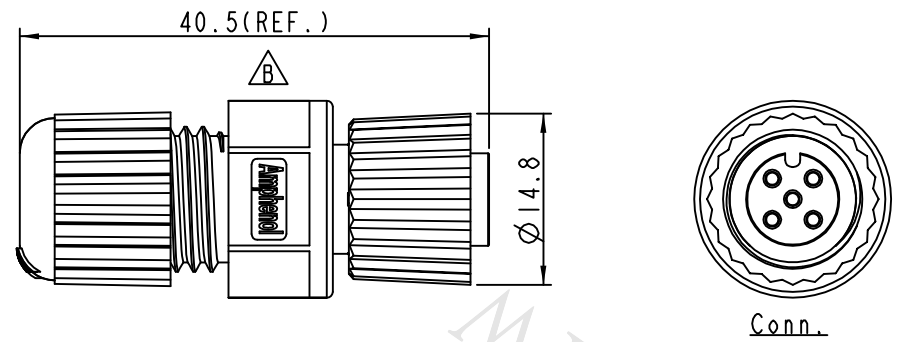
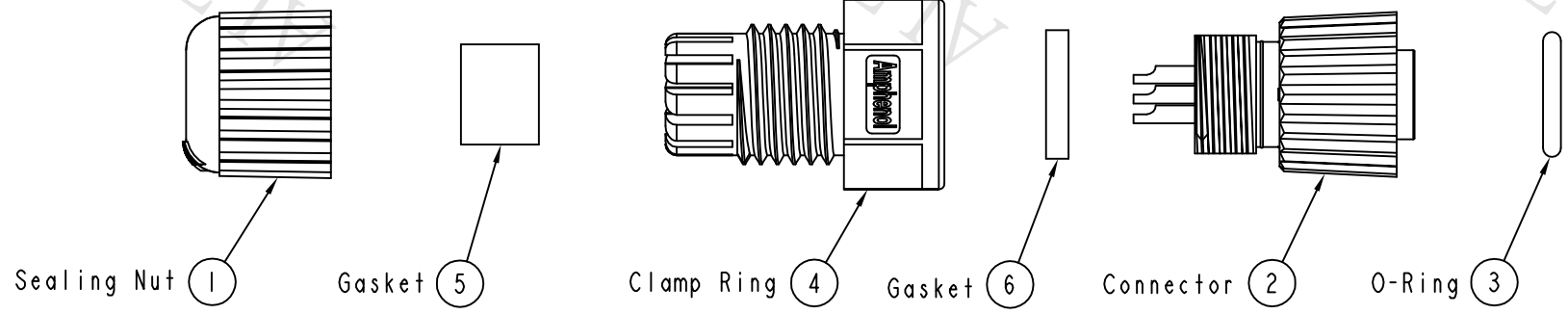


REV.	ECN NO.	DATE	SIGN	DESCRIPTION
B	LEN1480608	2014/08/12	Rita	Update Logo

ALTW
CONFIDENTIAL
2014-08-12
R&D DEPT.

ALTW
DCC. DEPT.
CONFIDENTIAL
2014.09.01
ISSUED



- Note:
- * M Important Dimension To Check.
 - * Waterproof Rate: IP68
 - * Housing: Black, Nylon+GF
 - * Pin: Copper Alloy, Gold Plated
 - * Nut: Black, Nylon+GF
 - * Ring: Green, Viton
 - * Gasket: Black, EPDM
 - * Clamp Ring: Black, Nylon
 - * Sealing Nut: Black, Nylon
 - * Seal: Black, EPDM
 - * Seal For Cable OD: $\varnothing 4.5\text{mm} \sim \varnothing 6.5\text{mm}$

UNIT: mm

TOLERANCE	
.X	± 0.25
.XX	± 0.1
.XXX	± 0.05
ANGLES	$\pm 1^\circ$

TITLE M12 Conn, Assy Screw 5Pin F Conn. F Pin			
SCALE	SIZE	SHEET	OF
3:2	A4	1	1
REV.	WC-REV.	M : Inspection item	
B	A.3		

Amphenol LTW
安費諾亮泰企業股份有限公司

ITEM NO	12P-05BFFA-SL8001
DWG NO	12P-05BFFA-SL8001
CUSTOMER	ALTW

DRAWN BY	Rita
CHECKED BY	Kris
APPROVED BY	Wenmao

DATE	2014-08-12
DATE	2014-08-12
DATE	2014-08-12

THIS DOCUMENT IS SUBJECT TO CHANGE WITHOUT NOTICE. IT IS CONFIDENTIAL AND A PROPERTY OF Amphenol LTW. DISCLOSURE TO THIRD PARTY HAS TO BE AUTHORIZED BY Amphenol LTW.