



6

5

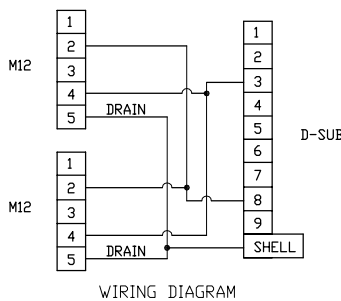
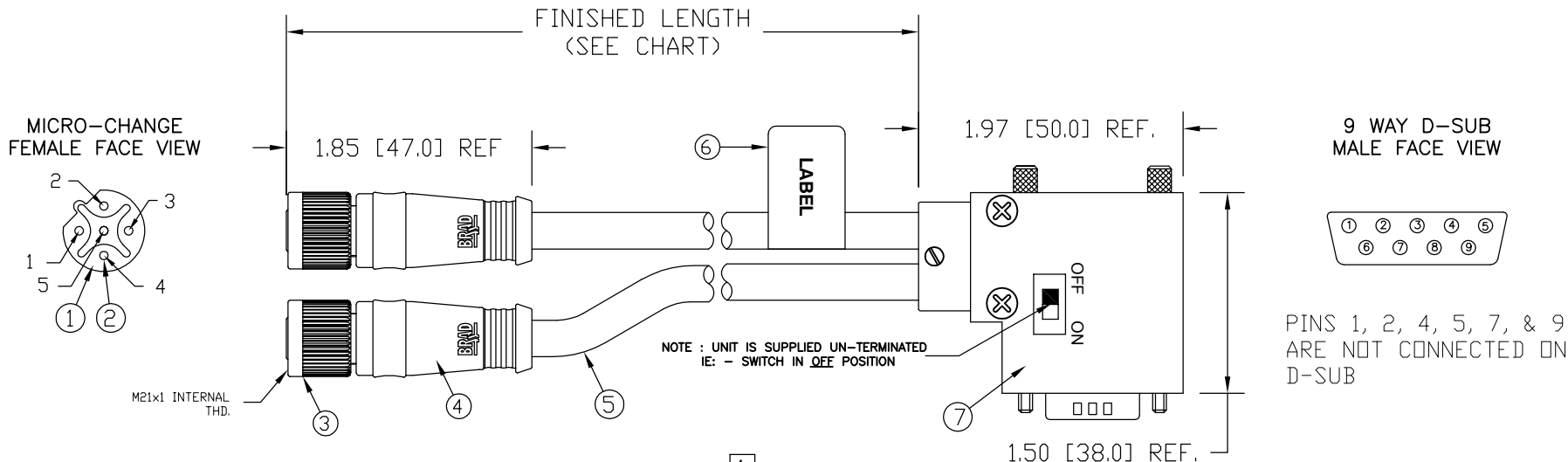
4

3

2

1

MATERIAL NUMBER	ENGINEERING NUMBER	FINISHED LENGTH
120098192	BM5G32PP4M010	1.0M +55.6mm -0 [3.28' +2.19" -0]
1200980193	BM5G32PP4M050	5.0M +165.1mm -0 [16.40' +6.50" -0]



VOLTAGE RATING	250 VAC/VDC
AMPERAGE RATING	4 AMPS
PROTECTION FOR M12 CONNECTOR	IP67
PROTECTION FOR D-SUB	IP40
OPERATING TEMPERATURE - M12 HEAD	-20°C TO 80°C
OPERATING TEMPERATURE - D-SUB	0°C TO 60°C

ITEM	COMPONENT	MATERIAL	FINISH
1	M12 INSERT	NYLON	BLACK
2	CONTACT SOCKET	COPPER ALLOY	GOLD OVER NICKEL
3	COUPLING NUT	BRASS	NICKEL PLATED
4	OVERMOLD	PUR	YELLOW
5	CABLE- 22 AWG, COPPER STRANDING TWISTED PAIR, SHIELD WITH BRAID	PUR	PURPLE
6	LABEL	MLYAR	BLACK/YELLOW
7	D-SUB	ABS	BLACK

RELEASED DRAWING	EC NO: WEL2010-0081	8/26/09
	DRWN: LHARTMAN	
	CHKD: BWOODMAN	09/08/27
	APPR: JFMURPHY	2009/08/28
REV	DESCRIPTION	QUALITY SYMBOLS
A		$\nabla=0$ $\sphericalangle=0$

	GENERAL TOLERANCES (UNLESS SPECIFIED)	
	mm	INCH
4 PLACES	±----	±----
3 PLACES	±----	±----
2 PLACES	±----	±.01
1 PLACE	±0.3	±----
ANGULAR ±----°		
DRAFT WHERE APPLICABLE MUST REMAIN WITHIN DIMENSIONS		

DIMENSION STYLE		SCALE	DESIGN UNITS	THIRD ANGLE PROJECTION
IN/MM	DATE	NTS	INCH	
DRAWN BY	DATE	TITLE	<b>MICRO-CHANGE PROFIBUS 5P FE ST REV KEY - D-SUB #22/2 SHLD PURPLE PUR</b> <b>MOLEX INCORPORATED</b>	
LHARTMAN	2009/08/26			
CHECKED BY	DATE		MATERIAL NO. <b>SD-120098-014</b> SHEET NO. <b>1 OF 1</b>	
BWOODMAN	2009/08/27			
APPROVED BY	DATE		THIS DRAWING CONTAINS INFORMATION THAT IS PROPRIETARY TO MOLEX INCORPORATED AND SHOULD NOT BE USED WITHOUT WRITTEN PERMISSION	
JFMURPHY	2009/08/27			
SIZE				
A				

6

5

4

3

2

1