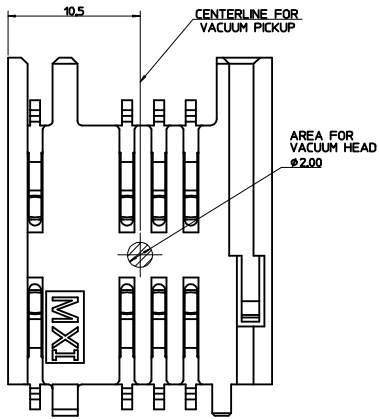
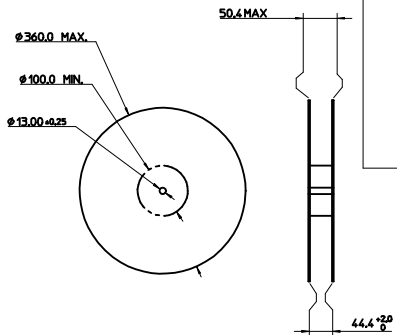


COMPONENT PICK UP DETAIL

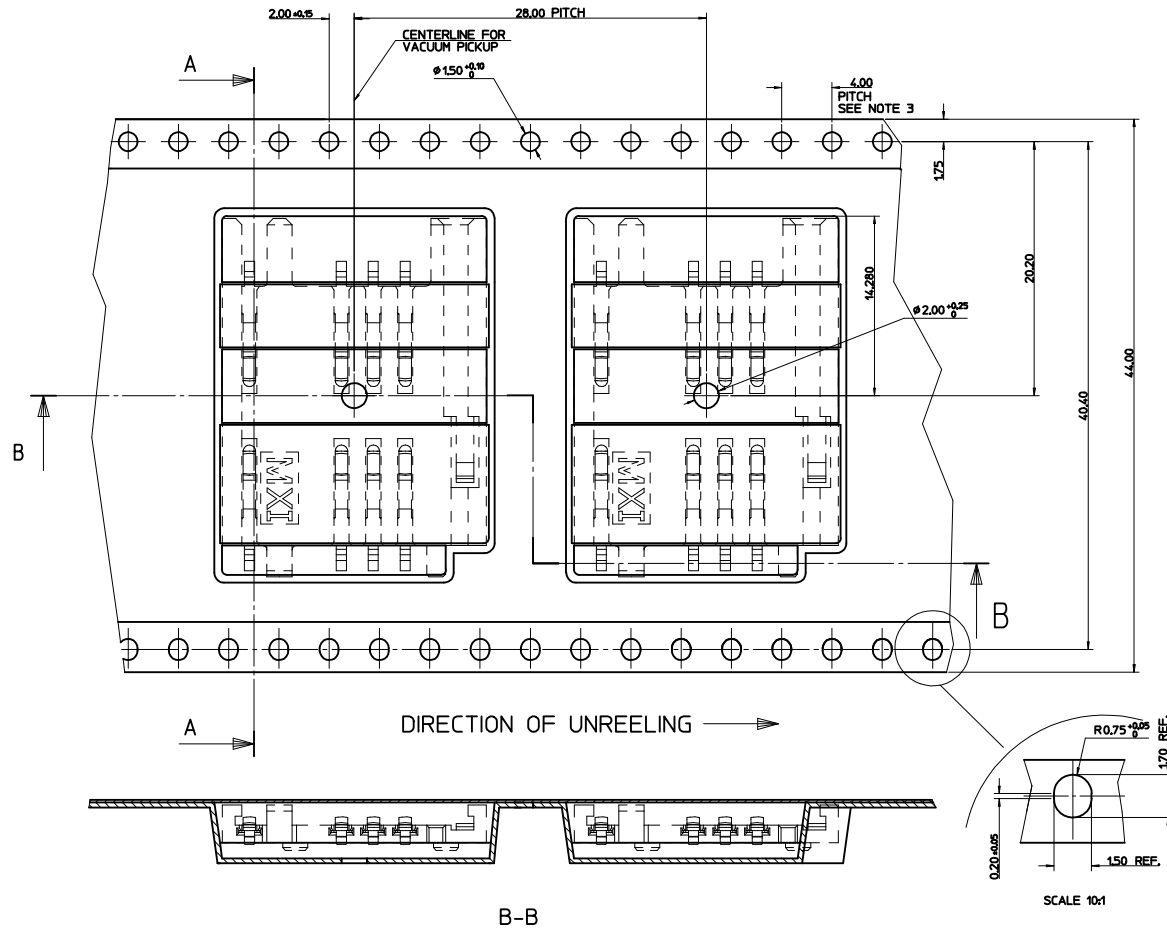
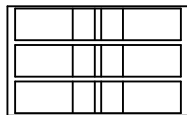


REFERENCE ONLY



REEL DIMENSIONS
NOT TO SCALE

- (500) PIECES ON A REEL
- (3) REELS / CARDBOARD BOX
- (1500) PIECES / CARDBOARD BOX - SUBJECT TO CHANGE



- NOTES:
1. MATERIAL:
CARRIER TAPE: VOLUME CONDUCTIVE POLYSTYRENE, 0.40 REF THICK, BLACK
COVER TAPE: COLD SEAL POLYESTER, 0.06 REF THICK, TRANSPARENT
 2. PEEL FORCE OF THE COVER TAPE IS 0.1N TO 1.0N
AT MAXIMUM PEEL SPEED OF 300/min. ±10%
 3. PITCH TOLERANCE OVER ANY 40 PITCHES ±0.2
 4. REFERENCE ASSEMBLY DRAWING A1-91318-001



MOLEX REEL

ORIGINAL RELEASE EC NO. E90207 DRAWING: WARNER 99/11/05 CHKG: CHYG APPR: A	QUALITY SYMBOLS MAJOR CRITICAL C	GENERAL TOLERANCES: (UNLESS SPECIFIED)		SCALE: 5:1	DESIGN UNITS: <input checked="" type="checkbox"/> mm <input type="checkbox"/> INCH	THIRD ANGLE PROJECTION: <input type="checkbox"/> mm <input type="checkbox"/> INCH <input checked="" type="checkbox"/> mm ONLY	SHT: REV								
		4 PLACES ±--- ±---	3 PLACES ±--- ±---	2 PLACES ±0.10 ±---	1 PLACE ±0.20 ±---	ANGULAR: ± 2°	CAD FILENAME	MATERIAL NO. 91318-0001	DRAWING NO. SD-91318-006	SHEET NO. 99 of 1					
DESCRIPTION		DRAWN BY & DATE gwarner 99/03/05		CHECKED BY & DATE DBRENNAN99/03/05		APPROVED BY & DATE MWLWHITE 99/03/05		TITLE: BLISTER PACKAGING SIM CONNECTOR		MATERIAL NO. SD-91318-006		DRAWING NO. SD-91318-006		SHEET NO. 99 of 1	
REV: A		DRAFT WHERE APPLICABLE MUST REMAIN WITHIN DIMENSIONS		THIS DRAWING CONTAINS INFORMATION THAT IS PROPRIETARY TO MOLEX INCORPORATED AND SHOULD NOT BE USED WITHOUT WRITTEN PERMISSION.		MATERIAL NO. SD-91318-0001		DRAWING NO. SD-91318-006		SHEET NO. 99 of 1		SIZE D			