

**NOTES:**

**1- MATERIAL:**

HOUSING: LCP GLASS FILLED UL 94V0, COLOUR: BLACK  
 TERMINAL: COPPER ALLOY PLATED WITH:  
 BASE FINISH: NICKEL  
 CONTACT SURFACE FINISH:  
 GOLD  
 OR  
 GOLD FLASH OVER PALLADIUM NICKEL.  
 EXCEEDS PRODUCT REQUIREMENTS BASED ON PS-95501

SOLDER PEGS: COPPER ALLOY PLATED WITH TIN.

2- JACK FOR MATING WITH IEC 60603-7 & TIA-1096-A PLUGS (MOLEX 90075 SERIES).

3- PRODUCT SPECIFICATION: MOLEX PS-95501

4- POLYIMIDE ADHESIVE TAPE FOR PICK & PLACE SURFACE. THICKNESS: 125 μm

5- PACKAGING SPECIFICATION: MOLEX PK-85502. (BLISTER PACKAGING).

6- COPLANARITY OF SIGNAL LEADS: 0.10

7- SEE DIMENSIONS IN CHART ON SHEET 2.

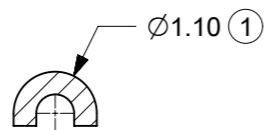
8- P.C. BOARD THICKNESS: 1.57

9- MANUFACTURING I.D. CAN BE EITHER MG, MXF OR MXI.

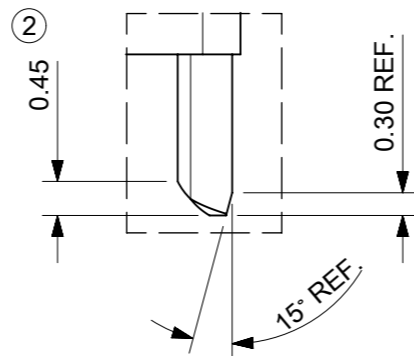
10- APPLICATION SPEC: AS-85513-001

LAST INSPECTION NUMBER: 14

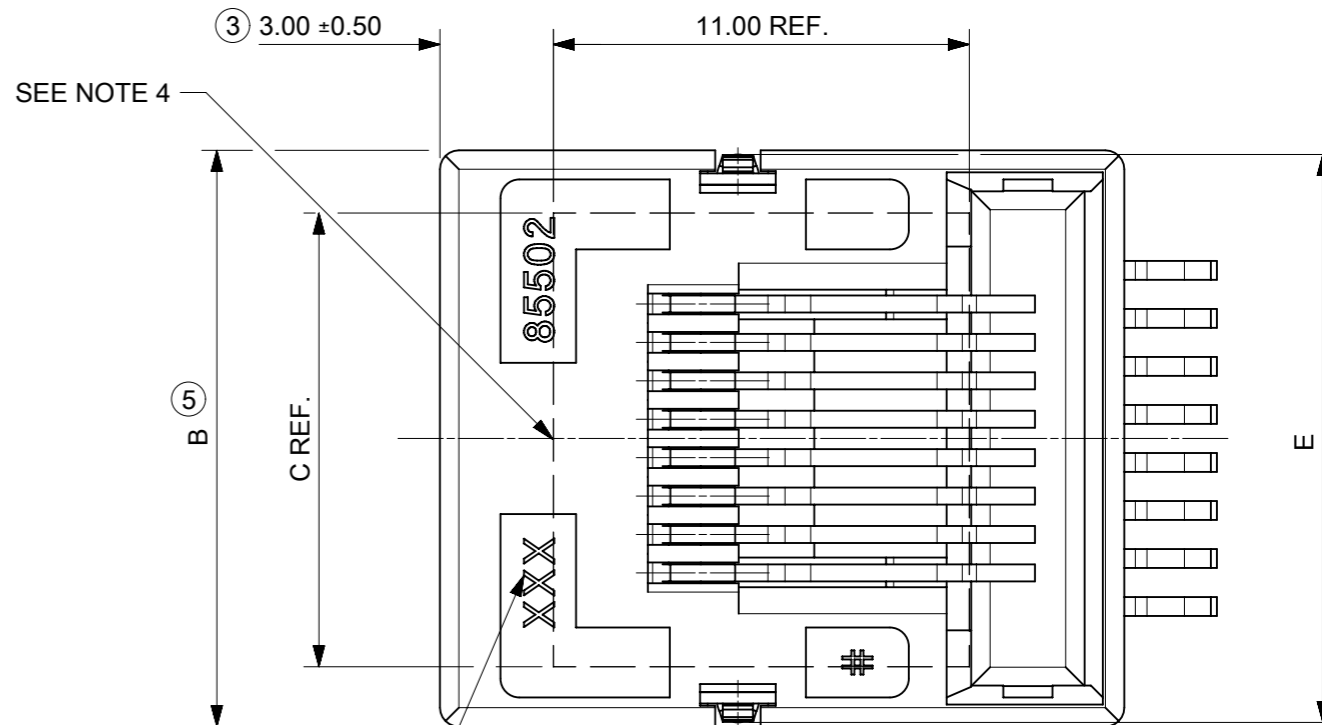
CHANGED PROD SPEC EC NO: IPG2013-0771 DRWN:DBYRNES 2012/11/23 CHKD: APPR:STGRIFFIN 2012/12/13 REV DESCRIPTION	QUALITY SYMBOLS	GENERAL TOLERANCES (UNLESS SPECIFIED)	DIMENSION STYLE	SCALE	DESIGN UNITS	THIRD ANGLE PROJECTION	
	▽=0 ∠=0	mm INCH	MM ONLY	5:1	METRIC		
		4 PLACES ± --- ± --- 3 PLACES ± --- ± --- 2 PLACES ± 0.25 ± --- 1 PLACE ± 0.35 ± ---	DRAWN BY DATE DB 2006/06/12	TITLE R/A LOW PROFILE P.C.JACK SMT; 4,6 & 8 CKTS WITH THROUGH HOLE SOLDER PEGS			
		ANGULAR ± 2 °	CHECKED BY DATE EOMAHONY 2006/06/15	MOLEX MOLEX INCORPORATED			
	DRAFT WHERE APPLICABLE MUST REMAIN WITHIN DIMENSIONS	APPROVED BY DATE EOMAHONY 2006/06/15	MATERIAL NO.	DOCUMENT NO.	SHEET NO.		
		SIZE A3	SEE CHART SHT 2	SD-85502-103	1 OF 2		
		THIS DRAWING CONTAINS INFORMATION THAT IS PROPRIETARY TO MOLEX INCORPORATED AND SHOULD NOT BE USED WITHOUT WRITTEN PERMISSION					



SECTION V-V  
(SCALE 10:1)



DETAIL X  
(SCALE 10:1)



SEE NOTE 4

③ 3.00 ± 0.50

11.00 REF.

⑤ B

C REF.

④

SEE NOTE 9.

NOTES:

- MATERIAL:**  
HOUSING: LCP GLASS FILLED UL 94-V0, COLOUR: BLACK  
TERMINAL: COPPER ALLOY PLATED WITH:  
BASE FINISH: NICKEL  
CONTACT SURFACE FINISH:  
GOLD  
OR  
GOLD FLASH OVER PALLADIUM NICKEL.  
EXCEEDS PRODUCT REQUIREMENTS BASED ON PS-95501

SOLDER PEGS: COPPER ALLOY PLATED WITH TIN.

- JACK FOR MATING WITH IEC 60603-7 & TIA-1096-A PLUGS (MOLEX 90075 SERIES)

- PRODUCT SPECIFICATION: MOLEX PS-95501

- POLYIMIDE ADHESIVE TAPE FOR PICK & PLACE SURFACE. THICKNESS: 125µm.

- PACKAGING SPECIFICATION: MOLEX PK-85502 (BLISTER PACKAGING).

- COPLANARITY OF SIGNAL LEADS: 0.10

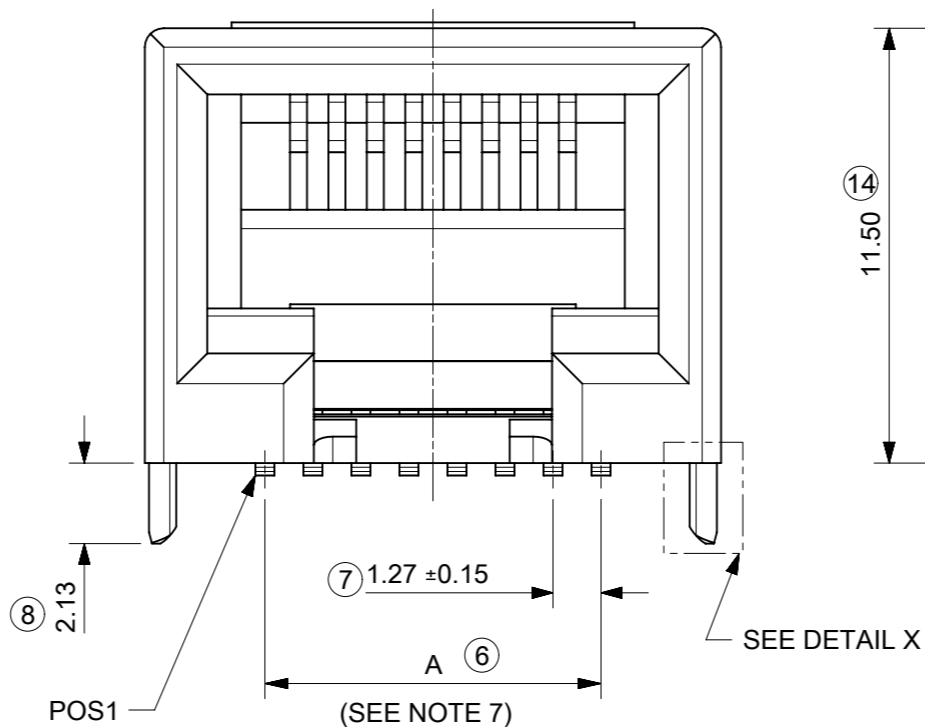
- SEE DIMENSIONS IN CHART ON SHEET 2.

- P.C. BOARD THICKNESS: 1.57

- MANUFACTURING I.D. MAY BE EITHER MG, MXF, MXI OR MXCH.

- APPLICATION SPEC: AS-85513-001

LAST INSPECTION NUMBER: 15



⑧ 2.13

⑦ 1.27 ± 0.15

A ⑥

(SEE NOTE 7)

SEE DETAIL X

⑭ 11.50

⑬ 0.75

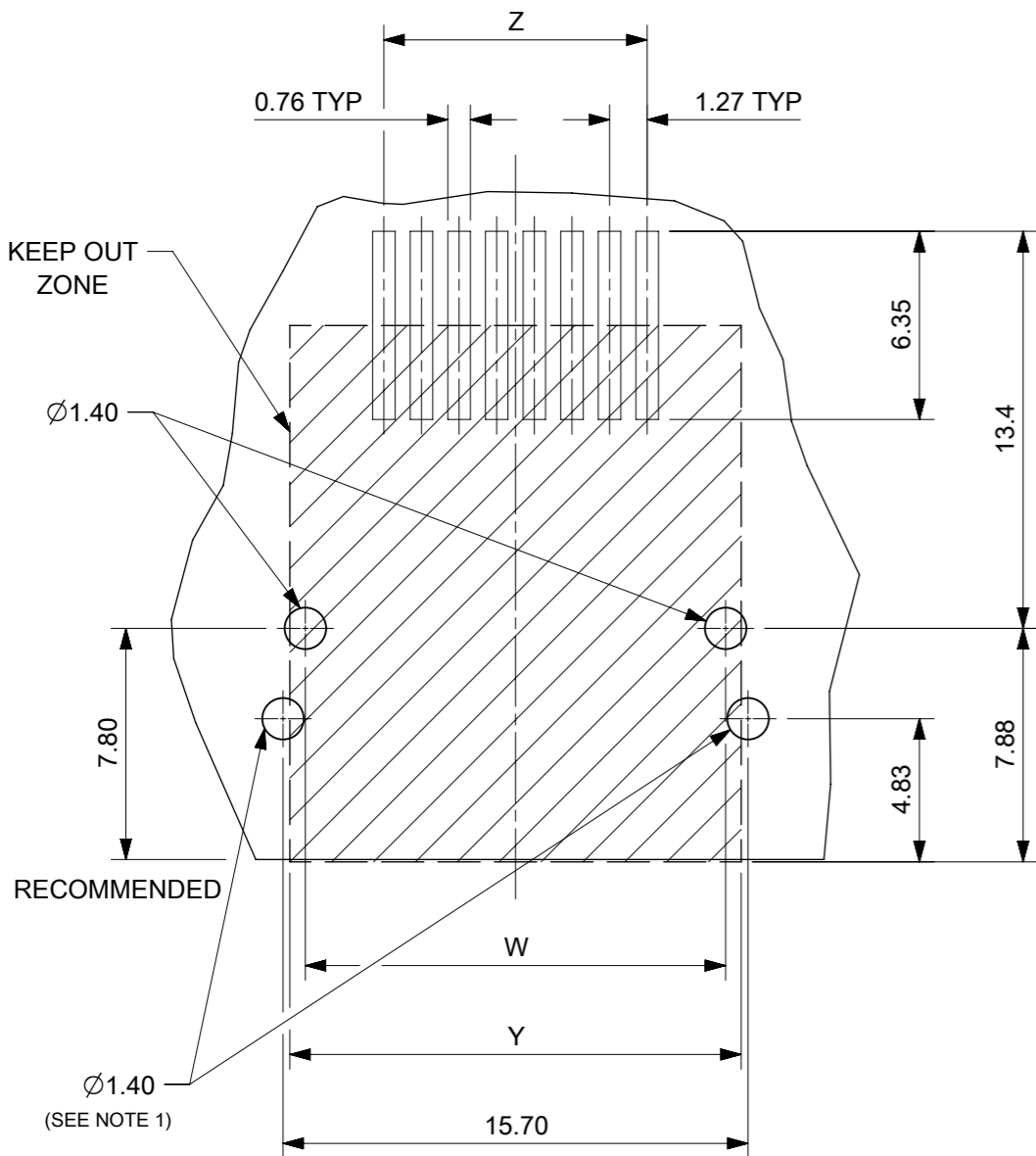
3.65 ⑪

7.88 ⑫

12.7 ⑩

THIS DRAWING CONTAINS INFORMATION THAT IS PROPRIETARY TO MOLEX ELECTRONIC TECHNOLOGIES, LLC AND SHOULD NOT BE USED WITHOUT WRITTEN PERMISSION									
DIMENSION UNITS	SCALE	CURRENT REV DESC: REMASTERED USING 3D MODELS							
mm	5:1	<p>RIGHT ANGLE LOW PROFILE SMT PC JACK WITH THROUGH HOLE SOLDER PEGS</p> <p>PRODUCT CUSTOMER DRAWING</p>							
GENERAL TOLERANCES (UNLESS SPECIFIED)									
ANGULAR TOL	± 2.0°								
4 PLACES	±								
3 PLACES	±								
2 PLACES	± 0.25	EC NO: 686811	DRWN: AKUMAR19	2021/08/02	<p>DOCUMENT NUMBER: SD-85502-103</p> <p>DOC TYPE: PSD</p> <p>DOC PART: 002</p> <p>REVISION: E2</p>				
1 PLACE	± 0.35	INITIAL REVISION:	DRWN: DBYRNES	2006/07/04					
0 PLACES	±	APPR: KLANG	2022/01/10	2006/07/07					
DRAFT WHERE APPLICABLE MUST REMAIN WITHIN DIMENSIONS		THIRD ANGLE PROJECTION	DRAWING	SERIES	MATERIAL NUMBER	CUSTOMER	SHEET NUMBER		
			A3-SIZE	85502	SEE CHART	GENERAL MARKET	1 OF 2		

- NOTES:  
 1. TWO OPTIONAL HOLES FOR THE 8 POSITION - VERSION FOR THE COMPABILITY WITH THE INTERNAL SHIELDED VERSION.  
 2. PLATING SEE SHEET 1.



P.C.B. MOUNTING PATTERNS (THROUGH HOLE SOLDER LEGS VERSION)  
 VIEW FROM COMPONENT SIDE (SCALE 4:1)  
 ALL DIMENSIONS REF DIMENSIONS

	PART NUMBERS FOR SMT JACK WITH THROUGH HOLE SOLDER PEGS								
	HOUSING COLOR	POS. 4 4 CKTS.	TOOLED	POS. 6 4 CKTS.	TOOLED	POS. 6 6 CKTS.	TOOLED	POS. 8 8 CKTS.	TOOLED
STANDARD VERSION	BLACK	85502-5009	X	85502-5010	X	85502-5011	X	85502-5012	X

DIM. \ TYPE	POS. 4	POS. 6		POS. 8
	4 CKTS.	4 CKTS.	6 CKTS.	8 CKTS.
A ± 0.15	3.81	3.81	6.35	8.89
B	11.18	13.21	13.21	15.24
C (REF)	8.50	8.50	8.50	12.00
E	11.08	13.11	13.11	15.14
W ± 0.05	10.13	12.16	12.16	14.19
Y (REF)	11.18	13.21	13.21	15.24
Z ± 0.05	3.81	3.81	6.35	8.89

THIS DRAWING CONTAINS INFORMATION THAT IS PROPRIETARY TO MOLEX ELECTRONIC TECHNOLOGIES, LLC AND SHOULD NOT BE USED WITHOUT WRITTEN PERMISSION									
DIMENSION UNITS <b>mm</b>	SCALE <b>5:1</b>	CURRENT REV DESC: REMASTERED USING 3D MODELS							
GENERAL TOLERANCES (UNLESS SPECIFIED)		<b>RIGHT ANGLE LOW PROFILE SMT PC JACK WITH THROUGH HOLE SOLDER PEGS</b>							
ANGULAR TOL ± 2.0 °									
4 PLACES ±		EC NO: 686811				2021/08/02			
3 PLACES ±		DRWN: AKUMAR19				2022/01/10			
2 PLACES ± 0.25		CHK'D: KLANG				2022/01/10			
1 PLACE ± 0.35		APPR: KLANG				2022/01/10			
0 PLACES ±		INITIAL REVISION:				DOCUMENT NUMBER			
DRAFT WHERE APPLICABLE MUST REMAIN WITHIN DIMENSIONS		THIRD ANGLE PROJECTION		DRAWING	SERIES	MATERIAL NUMBER		CUSTOMER	
				A3-SIZE	85502	SEE CHART		GENERAL MARKET	
						SD-85502-103		PSD	002
									E2
									2 OF 2