

Informational Notice

IN #: IN21-0004	Rev: 1.0	Issue Date: March 23, 2021
------------------------	-----------------	-----------------------------------

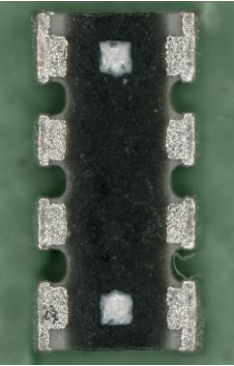

Reason for Notification: Change of CompactFlash resistor network

Detailed Description:

Swissbit is continuously improving supply security by qualifying new sources for critical material. This product change notification is to inform you about a Resistor Network replacement for

- CompactFlash C-500, C-56 and C-50 series

The new replacement fulfils electrical and environmental requirements equally well as its predecessor which is EOL, but has a better operating temperature range.

	Current Resistor Network	Replacement Resistor Network
Manufacturer	KOA Speer Electronics Inc	Yageo
Package	0804	0804
Resistance	4x30 ohm ±5%	4x30 ohm ±5%
Operating Temperature	-55°C ~ 125°C	-55°C ~ 155°C
Rating voltage	25V	25V
Visual appearance		

No changes in form fit and function.

Swissbit has completed its internal testing and has qualified the new Resistor Network to ensure full compliance and backward compatibility with the previous resistor network type.

Updated FMD data is available upon request.

Quality impact:

minor / major / no

Reliability impact:

minor / major / no

Products affected:

Series	Part Number	New Part Number
C-500 / C-56 / C-50 CompactFlash Card series	SFCFxxxxH1AFxT0-x-xx-xxx-xxx	Same, no change. Traceability via lot code on product label.

x = configuration

Informational Notice

Implementation date:	Phase-in beginning in April 2021, floating transition based on stock
Recommended action:	No action required
<p>IMPORTANT NOTE:</p> <p><i>Swissbit – as a provider of industrial products – announces and informs about changes that will affect the form, fit, function or reliability of our products. We always test backwards compatibility and assure best quality, reliability and transparency for our customers. We apologize for any inconvenience caused.</i></p> <p><i>This Informational Notice is an optional information in accordance with JEDEC J-STD-046.</i></p>	

Part Number	Series
SFCF0128H1AF1T0-C-MS-527-STD	C-500
SFCF0128H1AF1T0-C-MS-622-ELA	C-500
SFCF0128H1AF1T0-I-MS-527-STD	C-500
SFCF0256H1AF1T0-C-MS-527-STD	C-500
SFCF0256H1AF1T0-I-MS-523-STD	C-500
SFCF0256H1AF1T0-I-MS-527-STD	C-500
SFCF0512H1AF1T0-C-MS-517-STD	C-500
SFCF0512H1AF1T0-C-MS-527-STD	C-500
SFCF0512H1AF1T0-C-MS-622-ELA	C-500
SFCF0512H1AF1T0-I-MS-227-STD	C-500
SFCF0512H1AF1T0-I-MS-417-STD	C-500
SFCF0512H1AF1T0-I-MS-517-STD	C-500
SFCF0512H1AF1T0-I-MS-527-STD	C-500
SFCF1024H1AF2T0-C-MS-322-STD	C-500
SFCF1024H1AF2T0-C-MS-517-STD	C-500
SFCF1024H1AF2T0-C-MS-527-STD	C-500
SFCF1024H1AF2T0-I-MS-517-STD	C-500
SFCF1024H1AF2T0-I-MS-523-STD	C-500
SFCF1024H1AF2T0-I-MS-527-ECI	C-500
SFCF1024H1AF2T0-I-MS-527-IC1	C-500
SFCF1024H1AF2T0-I-MS-527-IC2	C-500
SFCF1024H1AF2T0-I-MS-527-IC3	C-500
SFCF1024H1AF2T0-I-MS-527-STD	C-500
SFCF1024H1AF2T0-I-MS-627-STD	C-500
SFCF2048H1AF2T0-C-DS-517-STD	C-500
SFCF2048H1AF2T0-C-DS-523-STD	C-500
SFCF2048H1AF2T0-C-DS-527-STD	C-500
SFCF2048H1AF2T0-I-DS-517-STD	C-500
SFCF2048H1AF2T0-I-DS-523-STD	C-500
SFCF2048H1AF2T0-I-DS-527-DEU	C-500
SFCF2048H1AF2T0-I-DS-527-STD	C-500
SFCF4096H1AF2T0-C-QT-517-STD	C-500
SFCF4096H1AF2T0-C-QT-527-STD	C-500
SFCF4096H1AF2T0-I-QT-222-STD	C-500
SFCF4096H1AF2T0-I-QT-517-STD	C-500

Informational Notice

SFCF4096H1AF2TO-I-QT-523-STD	C-500
SFCF4096H1AF2TO-I-QT-527-STD	C-500
SFCF008GH1AF2TO-C-MS-517-STD	C-500
SFCF008GH1AF2TO-C-MS-527-STD	C-500
SFCF008GH1AF2TO-I-MS-517-STD	C-500
SFCF008GH1AF2TO-I-MS-523-STD	C-500
SFCF008GH1AF2TO-I-MS-527-STD	C-500
SFCF016GH1AF4TO-C-MS-517-STD	C-500
SFCF016GH1AF4TO-C-MS-527-STD	C-500
SFCF016GH1AF4TO-I-MS-517-STD	C-500
SFCF016GH1AF4TO-I-MS-523-STD	C-500
SFCF016GH1AF4TO-I-MS-527-STD	C-500
SFCF032GH1AF2TO-C-QT-517-STD	C-500
SFCF032GH1AF2TO-C-QT-527-STD	C-500
SFCF032GH1AF2TO-I-QT-517-STD	C-500
SFCF032GH1AF2TO-I-QT-527-STD	C-500
SFCF064GH1AF4TO-C-QT-517-STD	C-500
SFCF064GH1AF4TO-C-QT-527-STD	C-500
SFCF064GH1AF4TO-I-QT-517-STD	C-500
SFCF064GH1AF4TO-I-QT-527-STD	C-500
SFCF2048H1AF1TO-C-GS-51Q-P2S	C-56
SFCF2048H1AF1TO-C-GS-52Q-P2S	C-56
SFCF4096H1AF1TO-C-GS-51P-STD	C-56
SFCF4096H1AF1TO-C-GS-52P-STD	C-56
SFCF4096H1AF1TO-I-GS-51P-STD	C-56
SFCF4096H1AF1TO-I-GS-52P-STD	C-56
SFCF008GH1AF2TO-C-GS-51P-STD	C-56
SFCF008GH1AF2TO-C-GS-52P-STD	C-56
SFCF008GH1AF2TO-I-GS-51P-STD	C-56
SFCF008GH1AF2TO-I-GS-52P-STD	C-56
SFCF016GH1AF2TO-C-GS-51P-STD	C-56
SFCF016GH1AF2TO-C-GS-52P-STD	C-56
SFCF016GH1AF2TO-I-GS-51P-STD	C-56
SFCF016GH1AF2TO-I-GS-52P-STD	C-56
SFCF032GH1AF2TO-C-LT-51P-STD	C-56
SFCF032GH1AF2TO-C-LT-52P-STD	C-56
SFCF032GH1AF2TO-I-LT-51P-STD	C-56
SFCF032GH1AF2TO-I-LT-52P-STD	C-56
SFCF064GH1AF4TO-C-LT-51P-STD	C-56
SFCF064GH1AF4TO-C-LT-52P-STD	C-56
SFCF064GH1AF4TO-I-LT-51P-STD	C-56
SFCF064GH1AF4TO-I-LT-52P-STD	C-56
SFCF008GH1AF1TO-C-GS-517-STD	C-50
SFCF008GH1AF1TO-C-GS-527-STD	C-50
SFCF008GH1AF1TO-I-GS-517-STD	C-50
SFCF008GH1AF1TO-I-GS-527-STD	C-50

Informational Notice

SFCF016GH1AF2T0-C-GS-517-STD	C-50
SFCF016GH1AF2T0-C-GS-527-STD	C-50
SFCF016GH1AF2T0-I-GS-517-STD	C-50
SFCF016GH1AF2T0-I-GS-527-STD	C-50
SFCF032GH1AF2T0-C-GS-517-STD	C-50
SFCF032GH1AF2T0-C-GS-527-STD	C-50
SFCF032GH1AF2T0-I-GS-517-STD	C-50
SFCF032GH1AF2T0-I-GS-527-STD	C-50
SFCF064GH1AF2T0-C-LT-517-STD	C-50
SFCF064GH1AF2T0-C-LT-527-STD	C-50
SFCF064GH1AF2T0-I-LT-517-STD	C-50
SFCF064GH1AF2T0-I-LT-527-STD	C-50
SFCF128GH1AF4T0-C-LT-517-STD	C-50
SFCF128GH1AF4T0-C-LT-527-STD	C-50
SFCF128GH1AF4T0-I-LT-517-STD	C-50
SFCF128GH1AF4T0-I-LT-527-STD	C-50