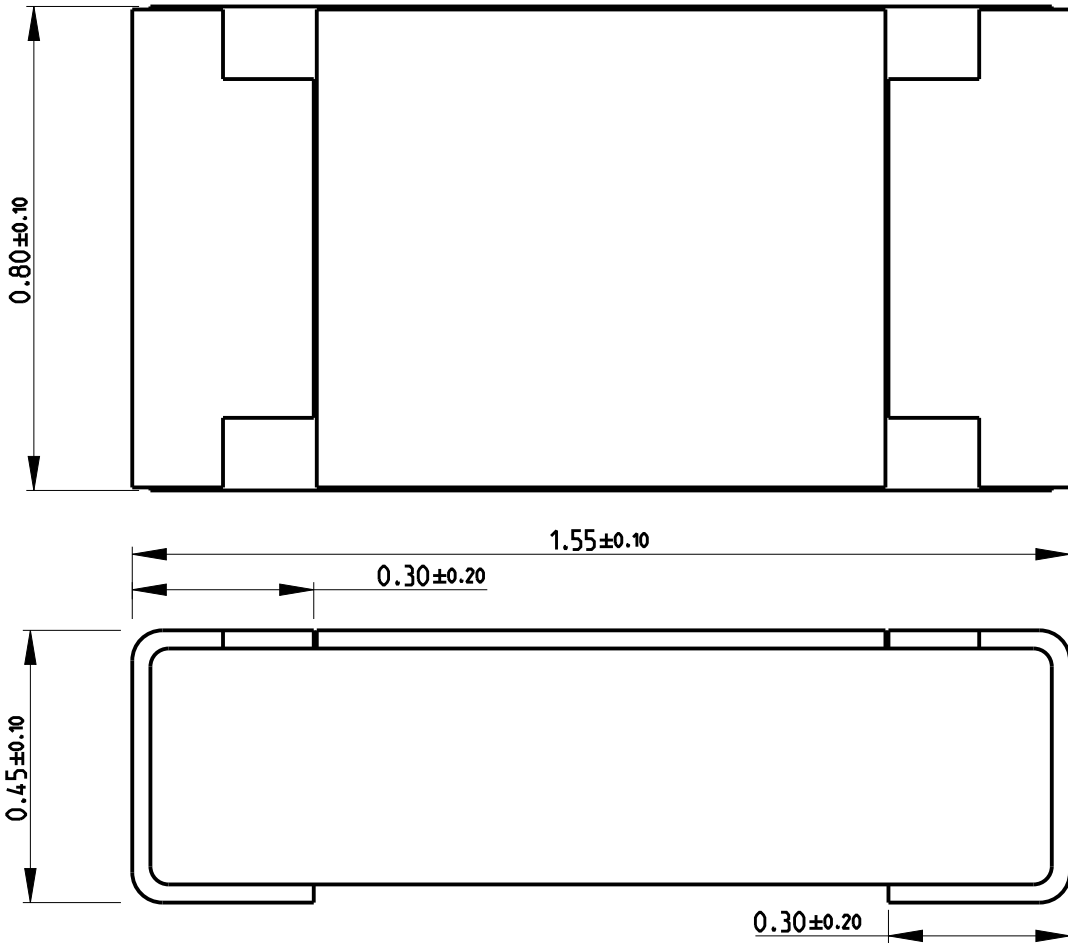


REVISIONS

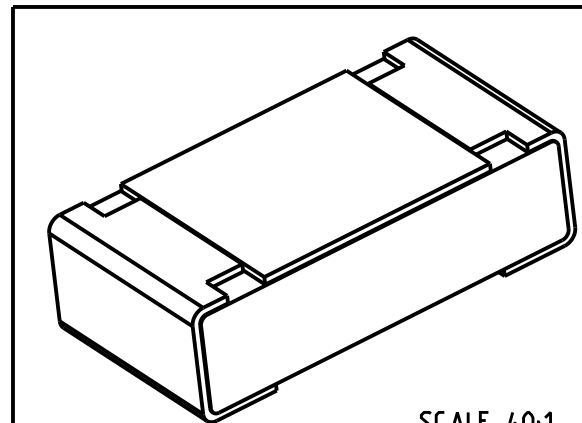
P	LTR	DESCRIPTION	DATE	DWN	APVD
	A	NEW DRAWING	21MAY2018	GCM	AP
	B	ECR-20-007385	28MAY2020	SR	AP



NOTES:

- FOR FURTHER INFORMATION SEE DATA SHEET FOR RQ73 SERIES AEC-Q200 THIN FILM PRECISION RESISTORS.

RoHS Compliant



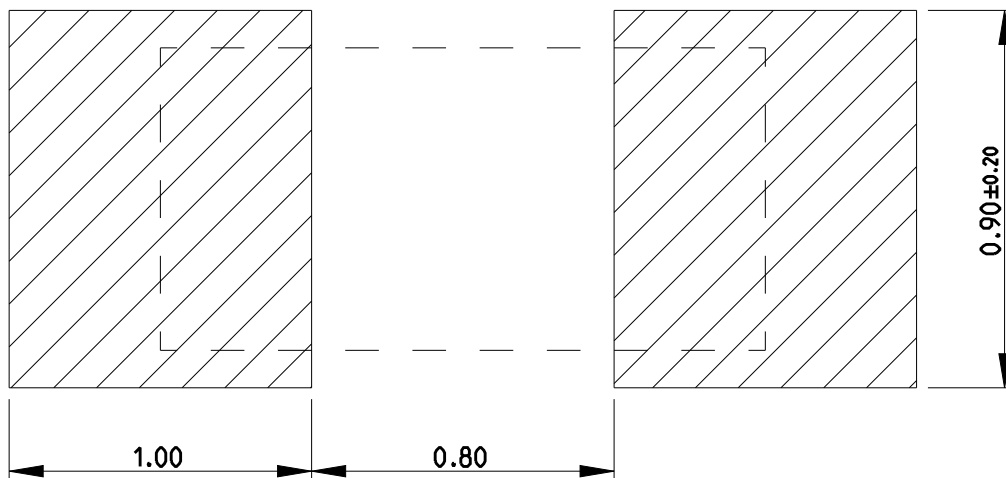
SCALE 40:1

© 2020 TE Connectivity. All Rights Reserved.

DIMENSIONS: mm		DWN GANESH C M 21MAY2018	MATERIAL -	FINISH -
TOLERANCES UNLESS OTHERWISE SPECIFIED:		CHK ALLAN.P 21MAY2018		
0 PLC ±0.5 1 PLC ±0.2 2 PLC ±0.1 3 PLC ± 4 PLC ± ANGLES ±5°		APVD ALLAN.P 21MAY2018		
PRODUCT SPEC		NAME	SMD Thin Film Precision Resistors - AEC-Q200 Compliant - Type RQ73 0603 Series	
APPLICATION SPEC		SIZE	CAGE CODE	DRAWING NO
WEIGHT		A4	00779	C-2176367
CUSTOMER DRAWING		SCALE	80:1	SHEET 1 OF 2 REV B

REVISIONS

P	LTR	DESCRIPTION	DATE	DWN	APVD
-		SEE SHEET 1	-	-	-



RECOMMENDED LAND PATTERN

© 2020 TE Connectivity. All Rights Reserved.

DIMENSIONS: mm		DWN GANESH C M 21MAY2018	MATERIAL -	FINISH -	
TOLERANCES UNLESS OTHERWISE SPECIFIED: 0 PLC ±0.5 1 PLC ±0.2 2 PLC ±0.1 3 PLC ± 4 PLC ± ANGLES ±5°		CHK ALLAN.P 21MAY2018			
		APVD ALLAN.P 21MAY2018			
		PRODUCT SPEC -	NAME SMD Thin Film Precision Resistors - AEC-Q200 Compliant - Type RQ73 0603 Series		
		APPLICATION SPEC -	SIZE A4	CAGE CODE 00779	DRAWING NO C-2176367
		WEIGHT -	RESTRICTED TO		
CUSTOMER DRAWING			SCALE NTS	SHEET 2 OF 2	REV B