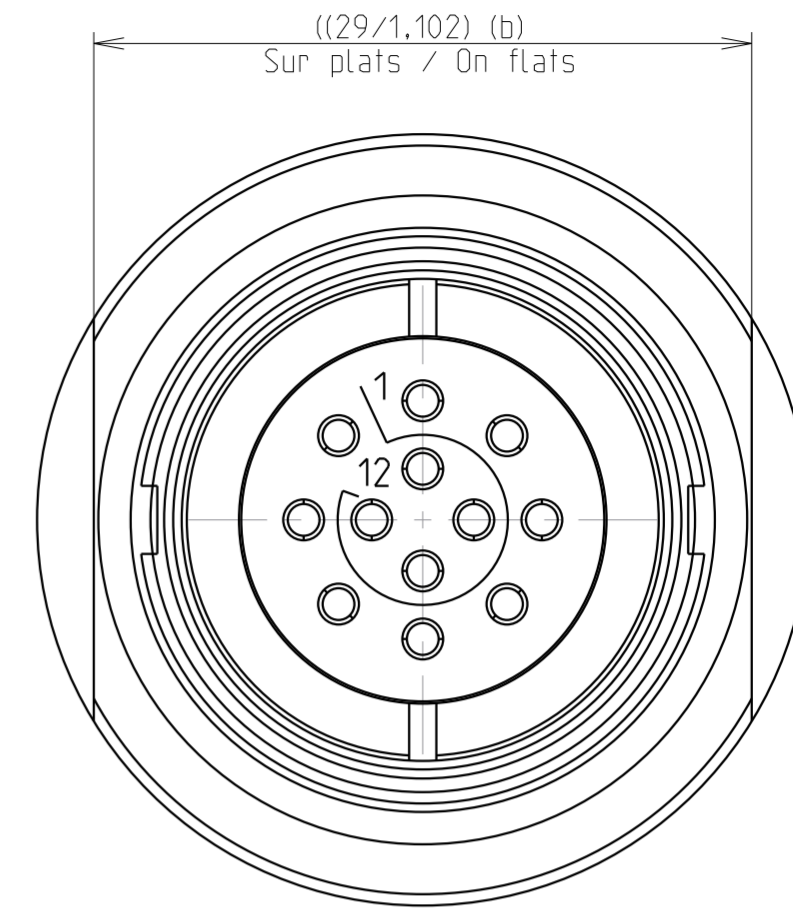
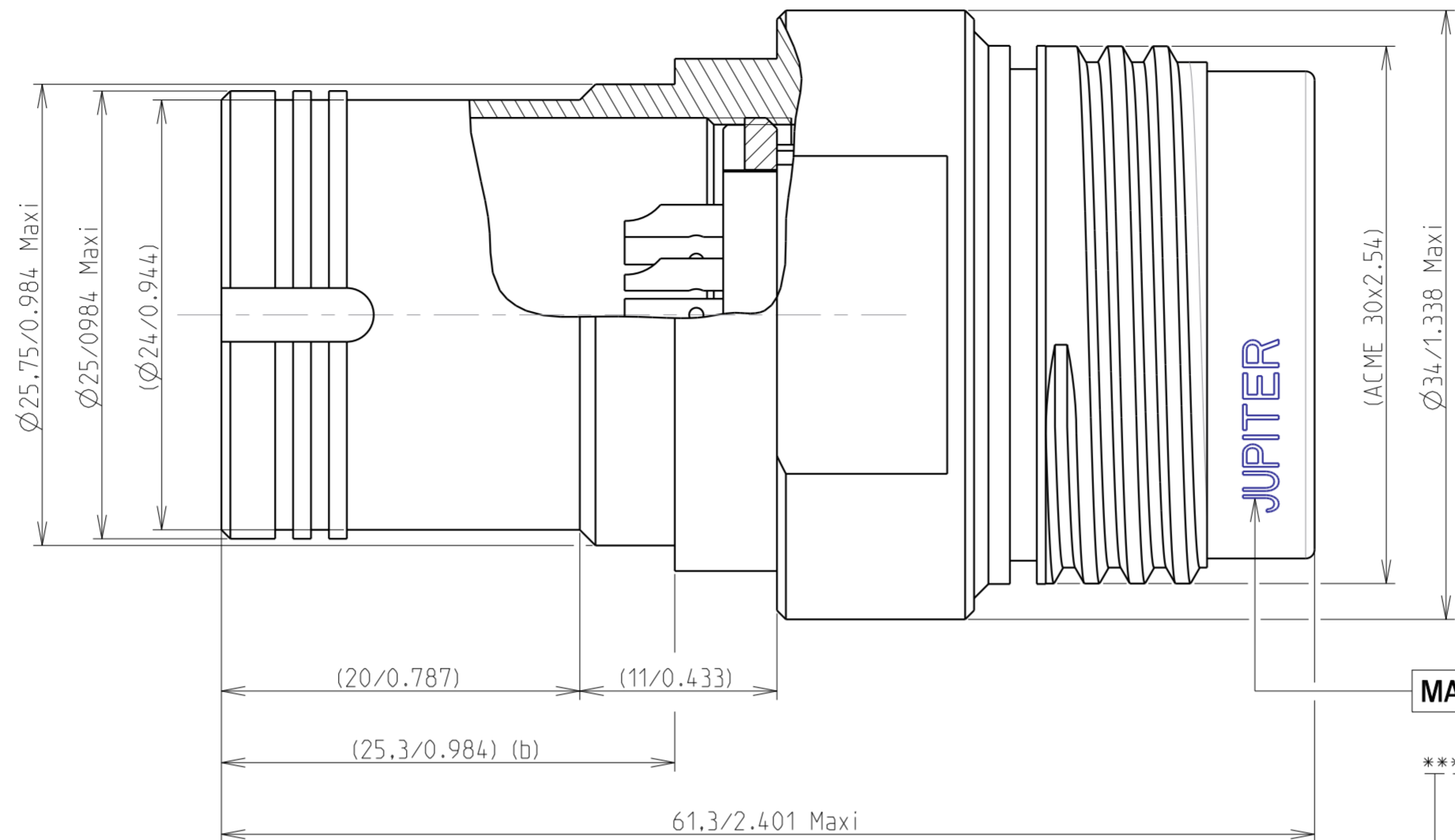
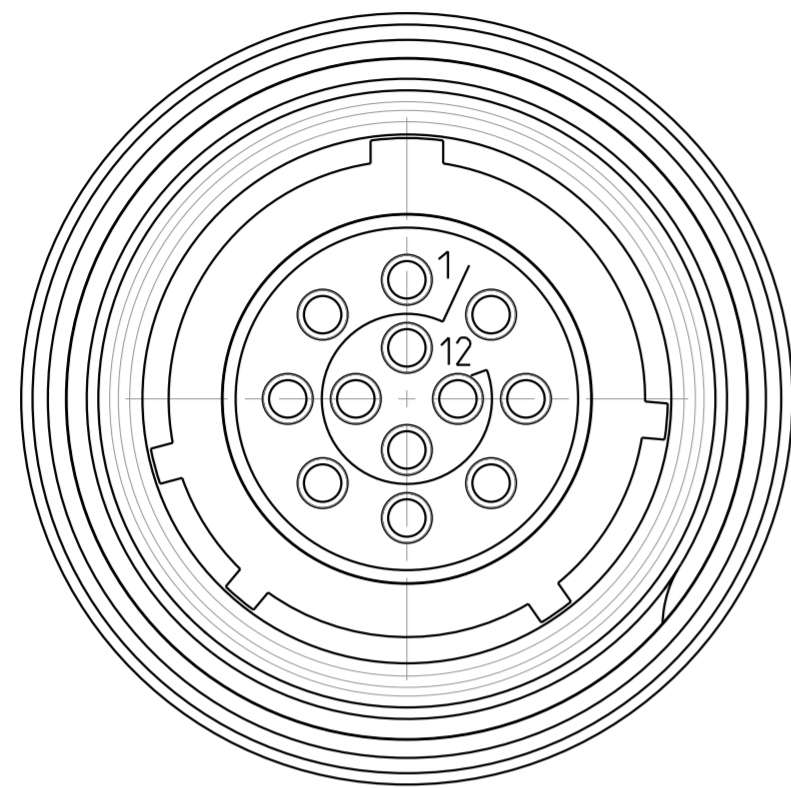


B.2: D développement

Country	Jurisdiction & Control List
FR	NOT LISTED

	critical dimension
	major dimension

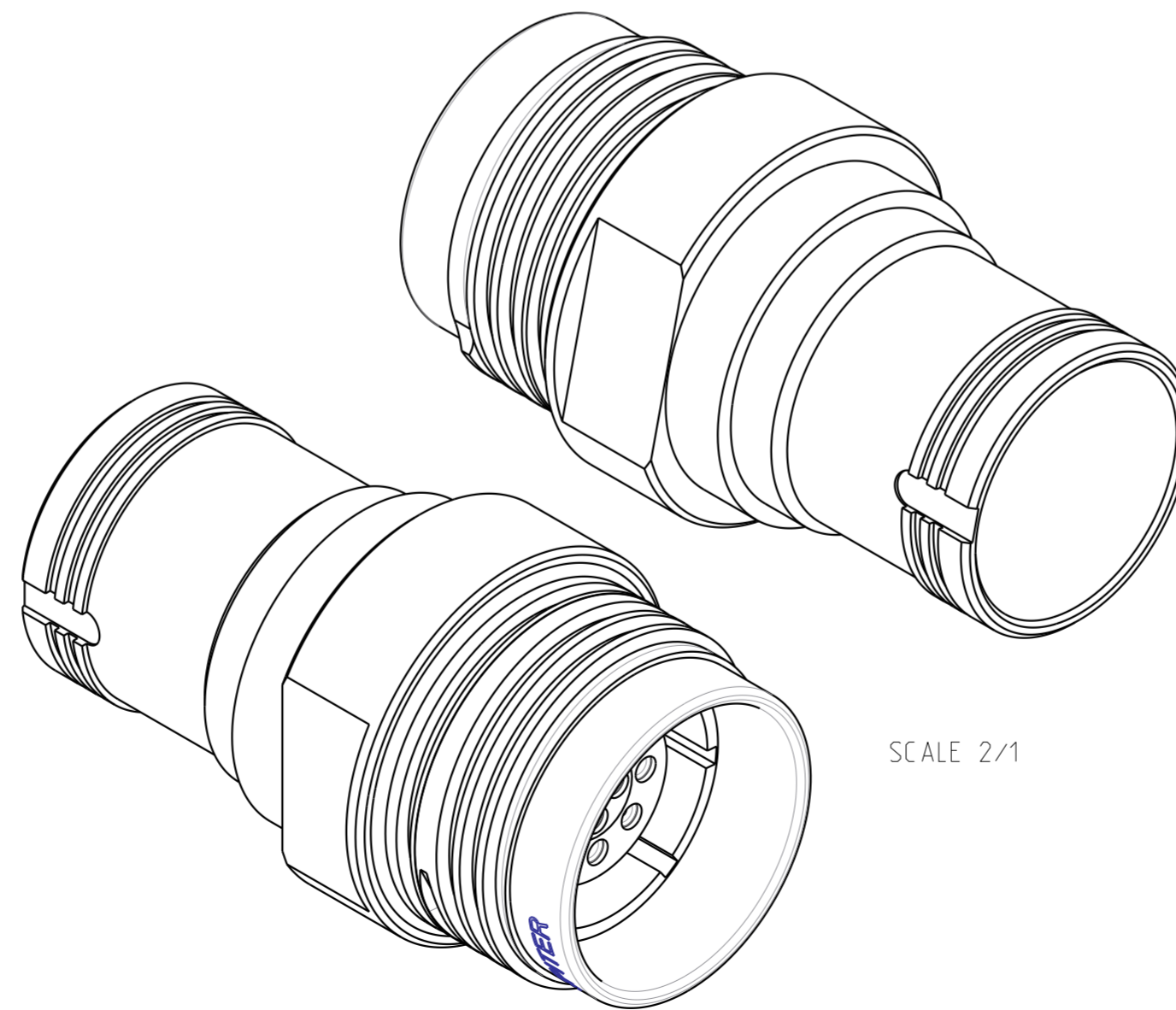


MARQUAGE/MARKING

**** JUPITER FR PCE14PLY
 — SEMAINE/WEEK
 — ANNEE/YEAR

**REFERENCE COMMERCIALE
 PART NUMBER**
 PCEM14PLN1216SAY

TYPE DE CONTACT/CONTACT TYPE
 M:MALE/PIN F:FEMELLE/SOCKET
 MATIERE DE L'ISOLANT/INSERT MATERIAL
 N:PA6/6-MOS2(NYLATRON) T:PTFE(TEFLON)
 ARRANGEMENT DES CONTACTS/CONTACT LAYOUTS
 VOIR ST1-PL54-0001/SEE ST1-PL54-0001



SCALE 2/1

Nota :
 Isolant emballé non monté

B	25/04/18	Modification of flats + add of retaining			SYakoubi	MEFFRE	DIFF
A	28/02/17	Initial drawing			SYakoubi	MEFFRE	DIFF
Iss	Date	MODIFICATIONS	A	C	Designed by	Checked by	MOD N°
			Naf.				
MATERIAL --			TREATMENT		PROTECTION/PLATING		
--			--		--		
--			--		CODE --		
DIMENSIONS ARE DEFINED BEFORE PLATING							
TITLE		PROLONGATEUR PCE SA / IN-LINE RECEPTACLE SA TYPE				PROJECT	
		SERIE PL - TAILLE 14				PL54	
Material Reference Voir Référence Commerciale / See Part Number							
		Generales tolerances ISO 2768		SOURIAU 3. RUE DU VALLON ZAC N°2 94440 MAROLLES-EN-BRIE (FRANCE) TEL. 33 (0)1 45 10 78 00			
Scale 3/1		General machining Surface texture					
Geometrical Tolerances: NF EN ISO 1101				FORMAT		SOURIAU DRG N°	
This document is the property of SOURIAU it must not be reproduced or communicated without permission.				A2		543P0030A9C	
		Iss		SHEET		B 1/1	