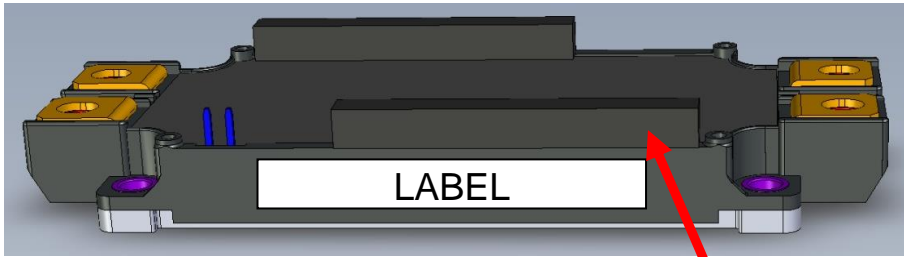


Product	SiC PM	Package	E type
---------	--------	---------	--------

1.Packing



Electric conductive sponge

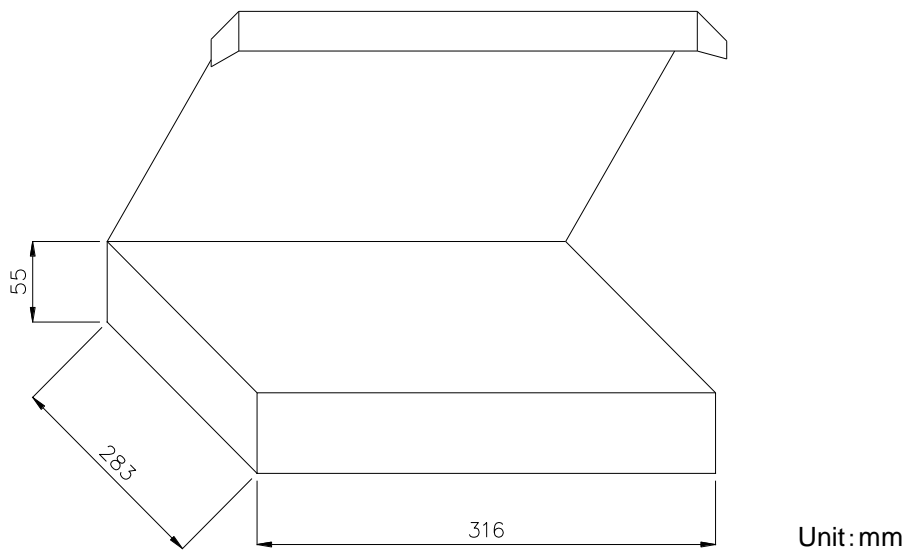
1-1 A signal terminal is covered with electric conductive sponge and is enclosed in an antistatic bug

1-2 Electric conductive sponge Material: PE + Carbon

Antistatic bug Material: PE + Antistatic Treated

2.Inner Box

2-1 Inner Box Dimension

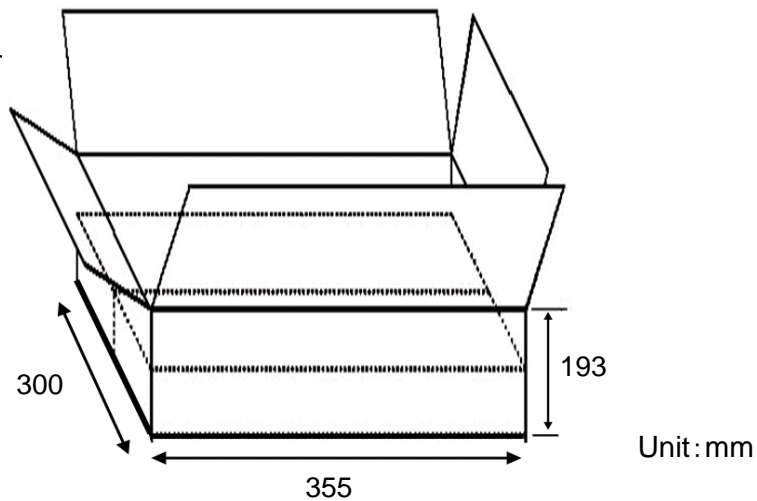


2-2 Amount in the Inner Box: Product 4pcs

Packing

3.Outer Box

3-1 Outer Box Dimension

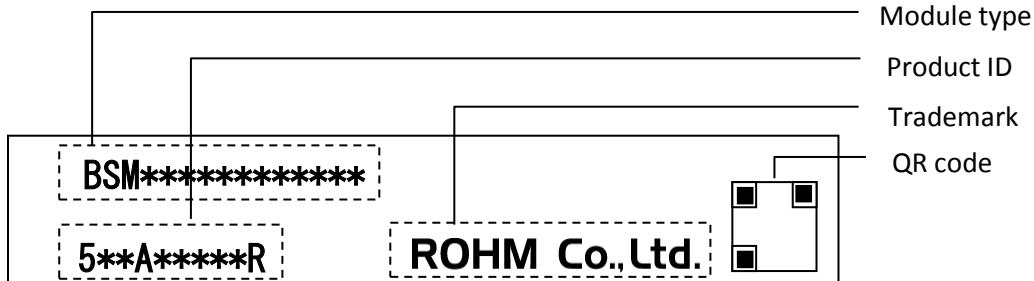


3-2 : Amount in the Outer Box: 3outerboxes (Product 12pcs)

Empty boxes or buffers shall be used to fill the gap within outer boxes.

4.Label

4-1 Module Label



The label above is affixed on each module

4-2 Package label

The label below is affixed on an inner box

