



### Electrical specifications

**Center Frequency:** 5000 MHz  
**Bandwidth:** 200 MHz  
**VSWR:** 2.0 : 1 dB max  
**Input / Output Impedance:** 50 Ohms  
**Passband:** 4900-5100 MHz  
**Passband Insertion Loss:** 3.0 dB max  
**Passband Ripple:** 1.5 dB max  
**Rejection:** 15 dB min at 4850 MHz  
**Rejection 2:** 15 dB min at 5150 MHz  
**Power Handling:** 1 Watt max

### Mechanical

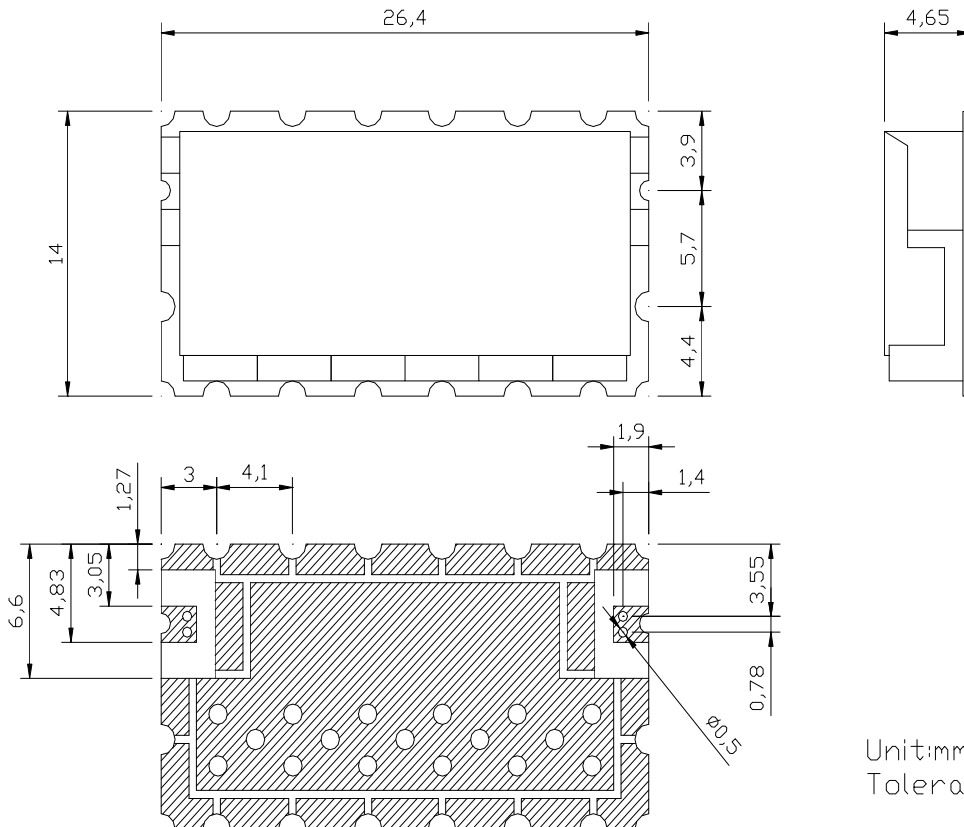
**Mounting Method:** SMT  
**Dimensions:** 26.4 x 14 x 4.65 mm

### Environmental

**Operating Temperature:** -40°C to 85°C  
**Storage Temperature:** -50°C to +90°C

This product is RoHs compliant.

### Outline Drawing:



Unit:mm  
Tolerance:±0.3

# 5000 MHz Ceramic Bandpass Filter

## Part Number: AM5000B1260

### Foot Print:

