



Silicone protection cap for Twin pushbutton, high, clear

product brand name	SIRIUS ACT
product designation	Silicone protective cap
design of the product	for twin pushbuttons, raised
product type designation	3SU1

**General technical data**

protection class IP	IP66, IP67
degree of protection NEMA rating	1, 2, 3, 3R, 4, 4X, 12

**Ambient conditions**

- ambient temperature during operation -25 ... +70 °C
- ambient temperature during storage -40 ... +80 °C

**Installation/ mounting/ dimensions**

height	60 mm
width	32.1 mm
depth	25.9 mm

**Accessories**

material of accessory	Plastic
color of accessory	clear

**Certificates/ approvals**

General Product Approval	Declaration of Conformity
--------------------------	---------------------------



[Miscellaneous](#)

[Miscellaneous](#)

Declaration of Conformity	Test Certificates	Marine / Shipping
---------------------------	-------------------	-------------------



[Type Test Certificates/Test Report](#)



Marine / Shipping	other
-------------------	-------



Further information

Information- and Downloadcenter (Catalogs, Brochures,...)

<https://www.siemens.com/ic10>

Industry Mall (Online ordering system)

<https://mall.industry.siemens.com/mall/en/en/Catalog/product?mlfb=3SU1900-0DH70-0AA0>

Cax online generator

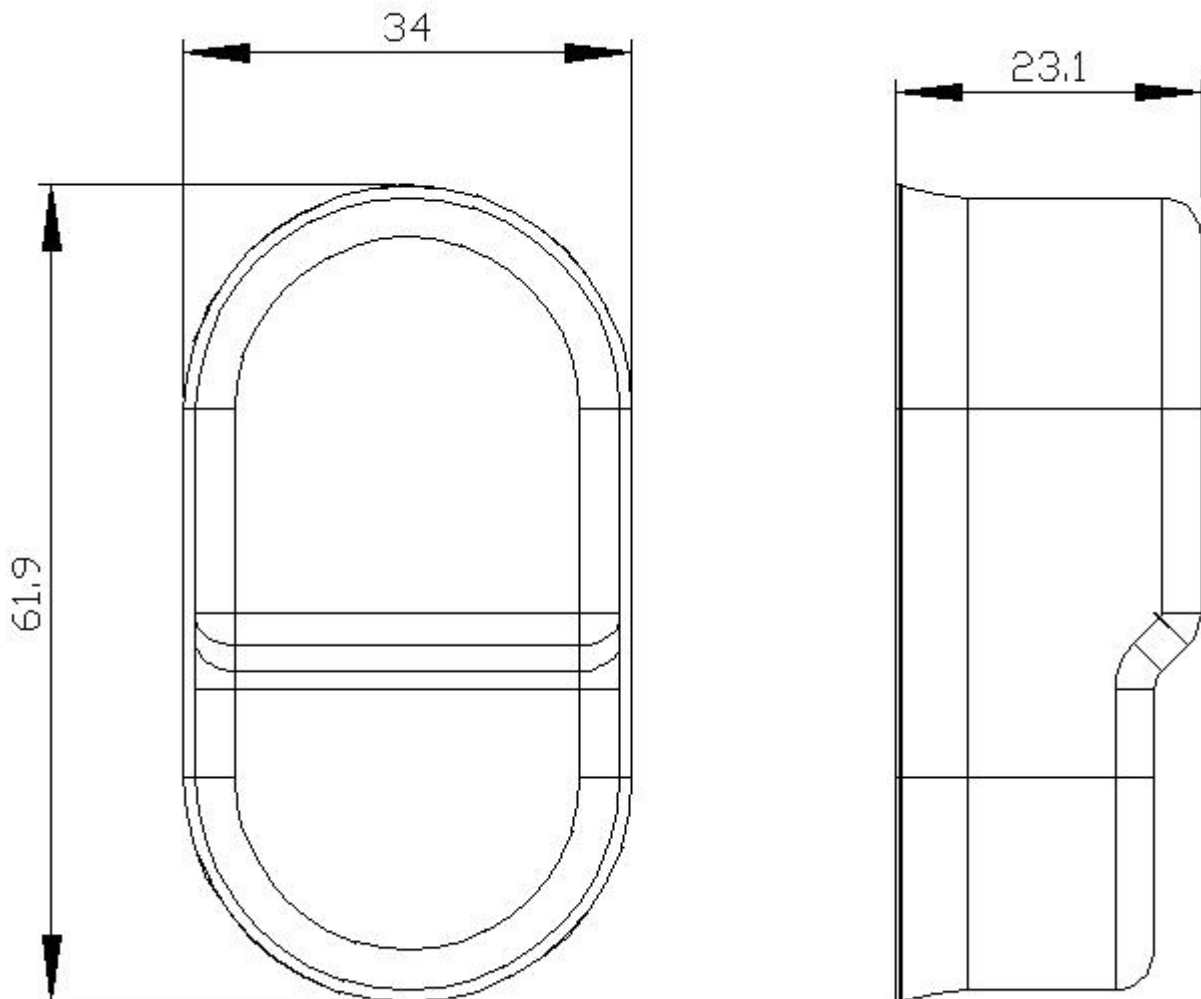
<http://support.automation.siemens.com/WW/CAXorder/default.aspx?lang=en&mlfb=3SU1900-0DH70-0AA0>

Service&Support (Manuals, Certificates, Characteristics, FAQs,...)

<https://support.industry.siemens.com/cs/ww/en/ps/3SU1900-0DH70-0AA0>

Image database (product images, 2D dimension drawings, 3D models, device circuit diagrams, EPLAN macros, ...)

[http://www.automation.siemens.com/bilddb/cax\\_de.aspx?mlfb=3SU1900-0DH70-0AA0&lang=en](http://www.automation.siemens.com/bilddb/cax_de.aspx?mlfb=3SU1900-0DH70-0AA0&lang=en)



last modified:

10/22/2020