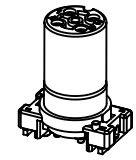
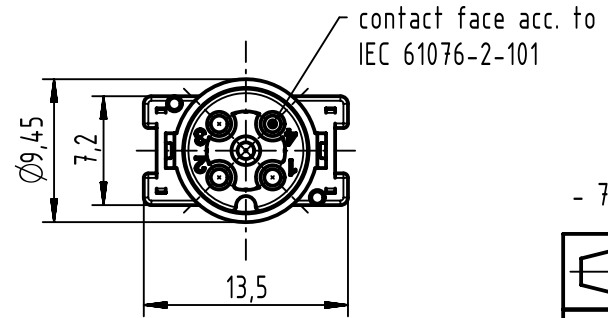
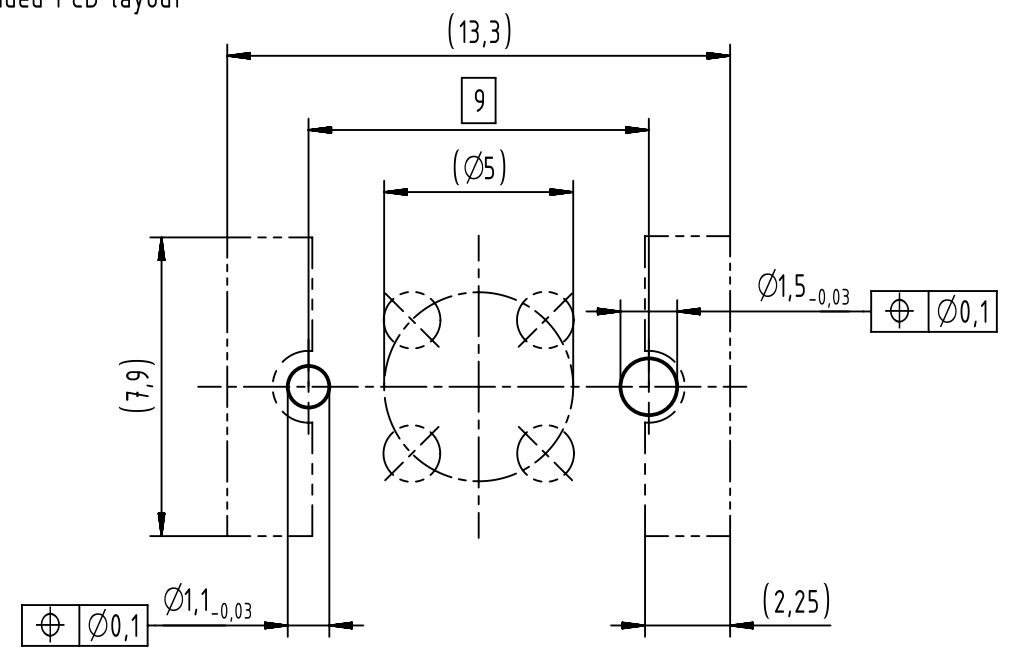


A (5:1)  
recommended PCB layout



- 75 pcs. Tape on Reel package

	All rights reserved Department EC PD - DE	All Dimensions in mm Original Size DIN A4		Scale 2:1	Free size tol.	Ref. Sub. TB 21033212402 500000099094 2016-01-07	
		Created by HELLMANN	Inspected by EISFELD	Standardisation HOFFMANN	Date 2016-05-31	State Final Release	
HARTING Electronics GmbH D-32339 Espelkamp		Title HARTING M12 PCB recpt str 4-pole A-cod fem unshielded				Doc-Key / ECM-Nr. 100618124/UGD/002/A 500000103181	
		Type TB	Number 21033112411		Rev. A	Page 1/1	