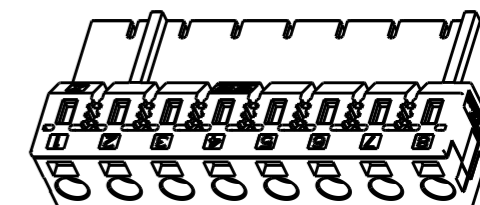
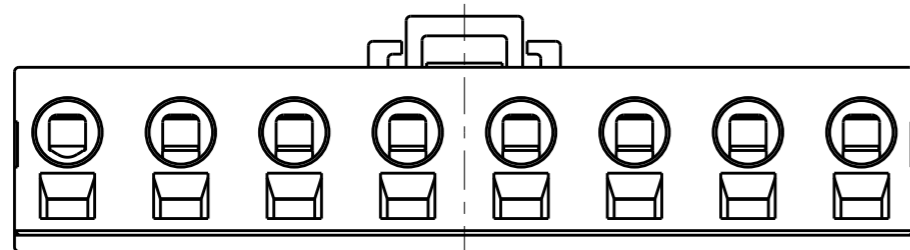
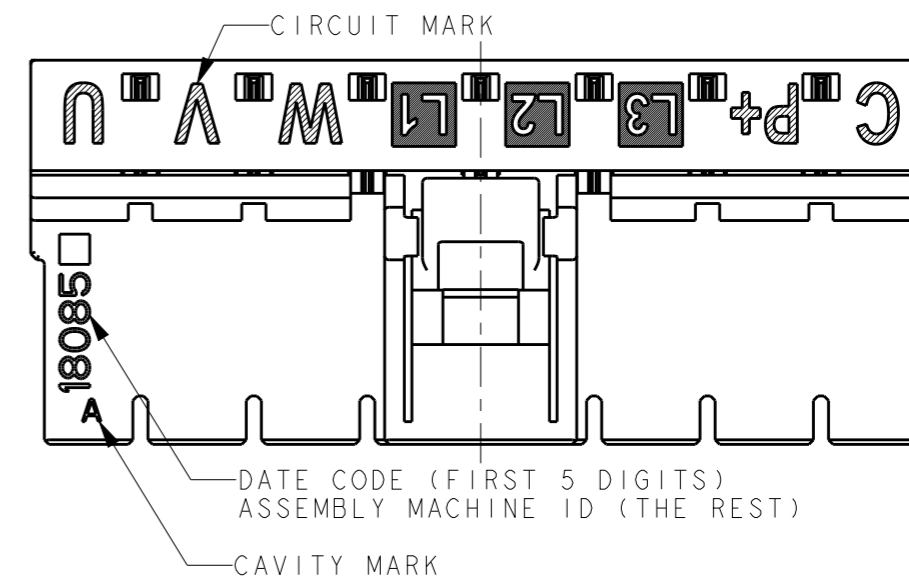
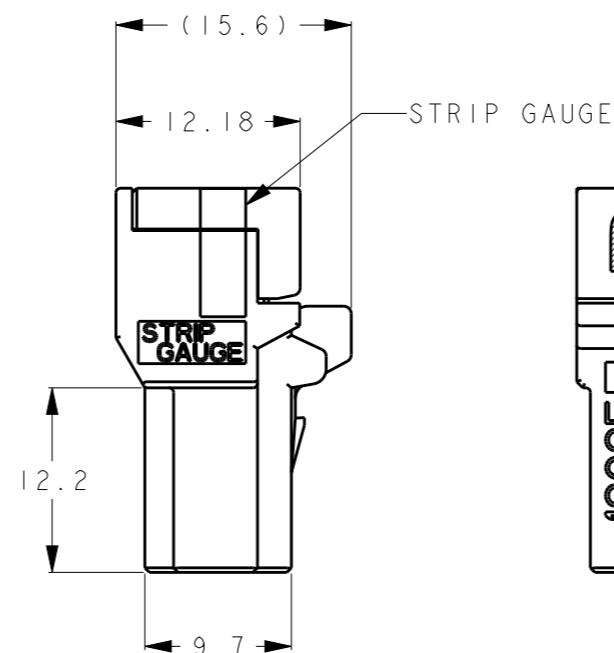
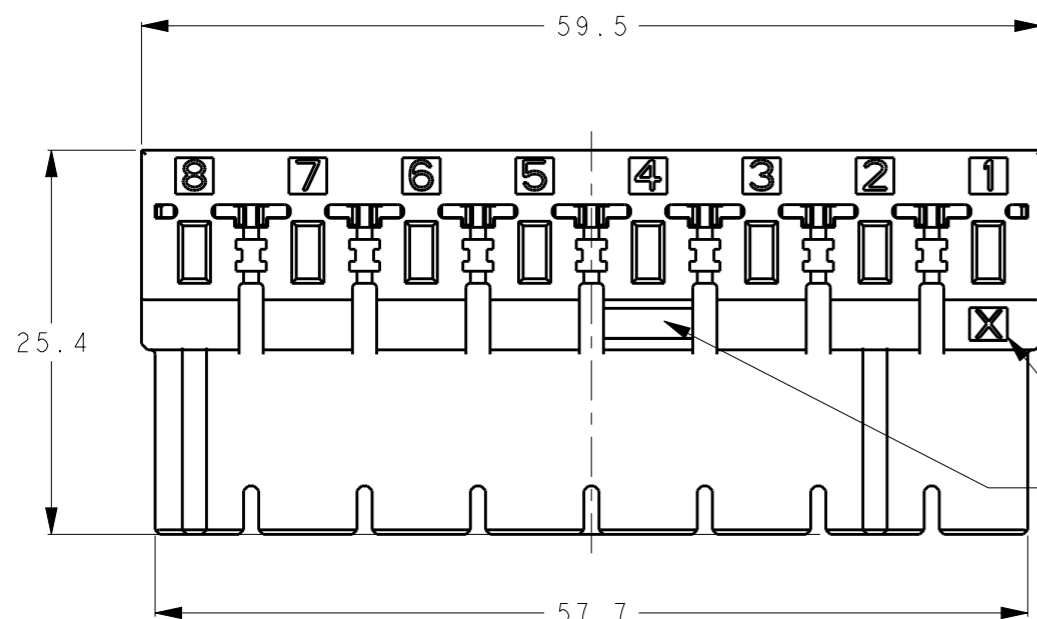


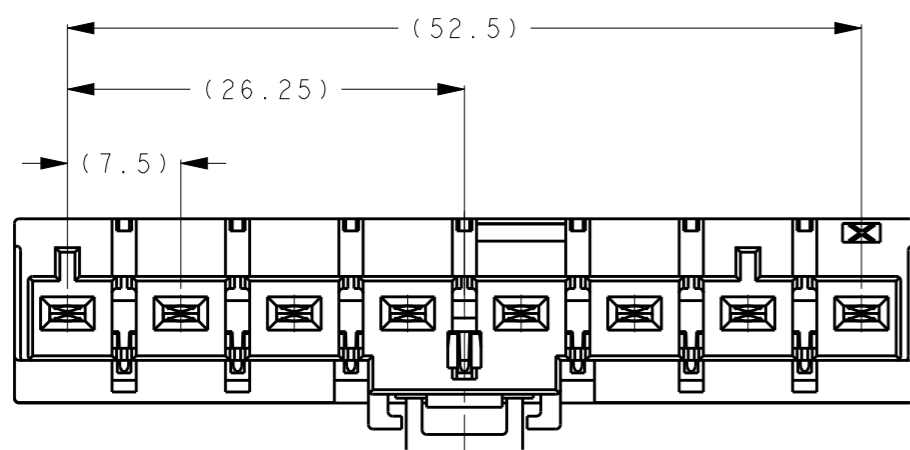
P	LTR	DESCRIPTION	DATE	DWN	APVD
	A	RELEASED	26JUN2019	R. I	E. I
	AI	REVISED	19AUG2019	R. I	E. I



SCALE 1:1



- 1 MATERIAL  
HOUSING: THERMOPLASTIC POLYESTER  
CONTACT: COPPER ALLOY  
SPRING: STAINLESS STEEL
- 2 PLATING  
CONTACT POINT: UNDER Ni PLATING  
OVER Au PLATING  
CABLE CLAMPING POINT: UNDER Ni PLATING  
OVER Tin PLATING



X	8	1-2349815-2
KEYING	POSN.	PART NUMBER

THIS DRAWING IS A CONTROLLED DOCUMENT.		DWN R. ITO 07JAN2019	TE Connectivity				
DIMENSIONS: mm		CHK T. SHIMOYASU 07JAN2019					
TOLERANCES UNLESS OTHERWISE SPECIFIED:		APVD E. IKEMATSU 07JAN2019	NAME RECEPTACLE ASSEMBLY, 8POSN. DYNAMIC 3950				
0 PLC ±0.3 1 PLC ±0.3 2 PLC ±0.3 3 PLC ±0.3 4 PLC ±0.3 ANGLES ±3°		PRODUCT SPEC 108-78997	SIZE A3	CAGE CODE -	DRAWING NO C-2349815	RESTRICTED TO -	
MATERIAL SEE NOTE		APPLICATION SPEC 411-78272	SCALE 2:1		SHEET 1	OF 1	REV AI
-		WEIGHT -	CUSTOMER DRAWING				