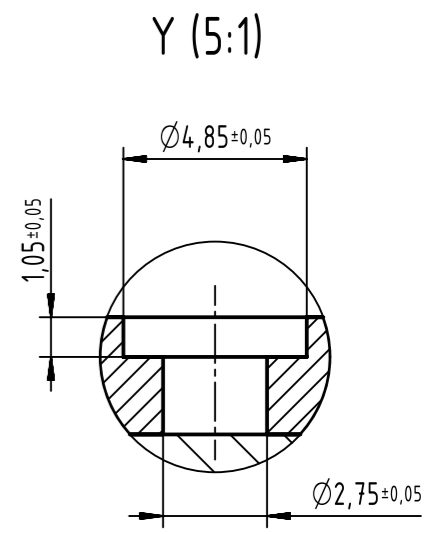
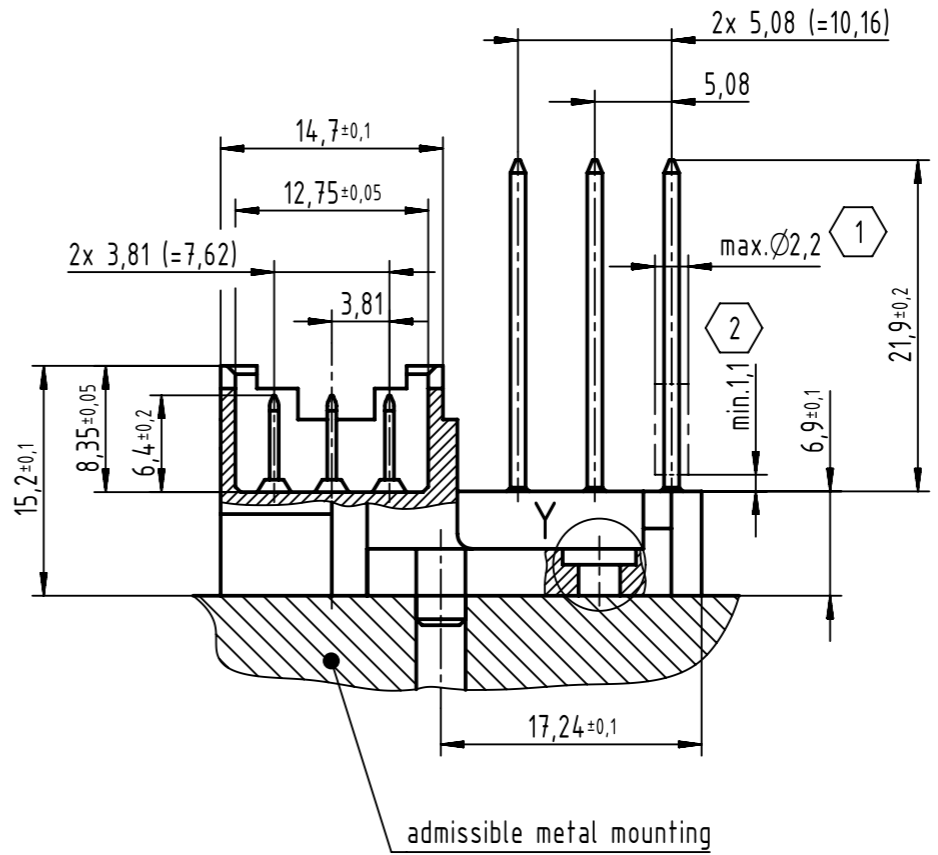
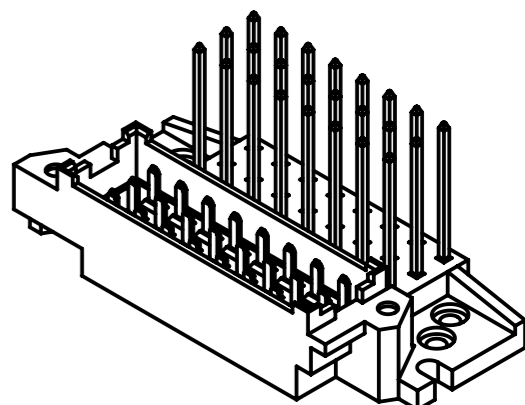


B (2:1)



admissible metal mounting



- ② up until start of the standard wrap
- ① standard wrap DIN EN 60352-1

	All rights reserved	Created by	Inspected by	Standardisation	Date	State
	Department EC PD - DE	STORCK	LEHNERT	KOHLER	2015-05-06	Final Release
HARTING Electronics GmbH D-32339 Espelkamp		Title DIN Power type 2F interface connector U			Doc-Key / ECM-Nr. 100083845/UGD/004/B 50000088551	
		Type	Number	Rev.	Page	
		TB	09260242981	B	1/1	