



MADE
IN THE **USA**

Product Description:

- Infection Prevention Station
- Holds two boxes of gloves, one box of face masks, and one hand sanitizer bottle
- Keyholes for wall mounting, can sit on counter, or mount to a floor stand
- Quartz Beige ABS Plastic

Primary Area for Product Usage:

- Anywhere personal protective equipment is needed

Dispenses:

- Left: Bottles no larger than 10.00"H x 3.82" diameter (25.4 cm x 9.7 cm diameter)
- Middle: Box(es) no larger than 10.00"W x 5.00"H x 4.25"D (25.4 cm x 12.7 cm x 10.8 cm)
- Right: Box(es) no larger than 4.01"W x 10.00"H x 4.25"D (10.2 cm x 25.4 cm x 10.8 cm)

Package Specifications:

- Package Quantity: 3 per case
- 20"W x 16"H x 12"D (50.8 cm x 40.6 cm x 30.5 cm)
- 9.0 lbs (4.1 kg) - approximated

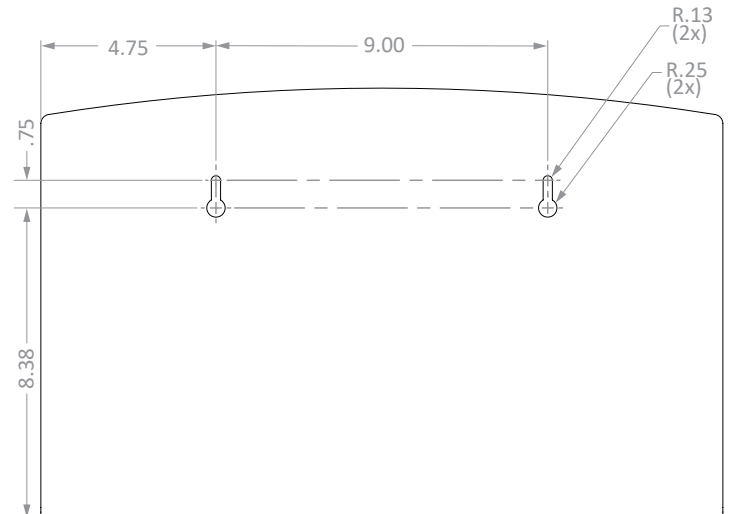
Product Specifications (overall external dimensions):

- 18.50"W x 11.63"H x 4.50"D (47.0 cm x 29.5 cm x 11.4 cm)
- 2.1 lbs (0.9 kg) - approximated

Mounting Specifications:

Related Products (each sold separately):

- KS010-0412: Floor Stand All Steel (shown below)
- KS201-0029: Floor Stand

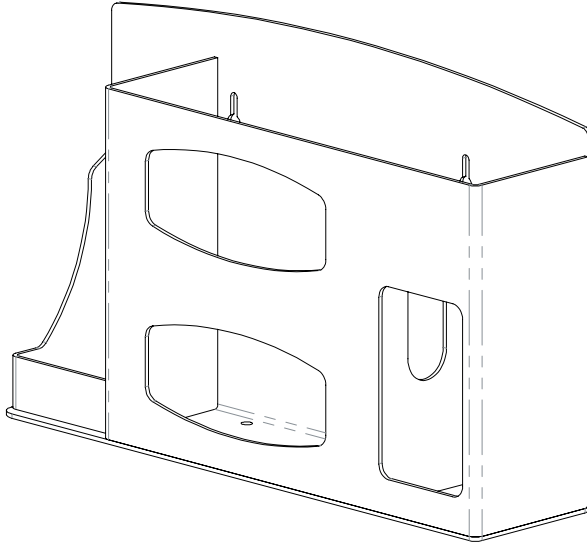




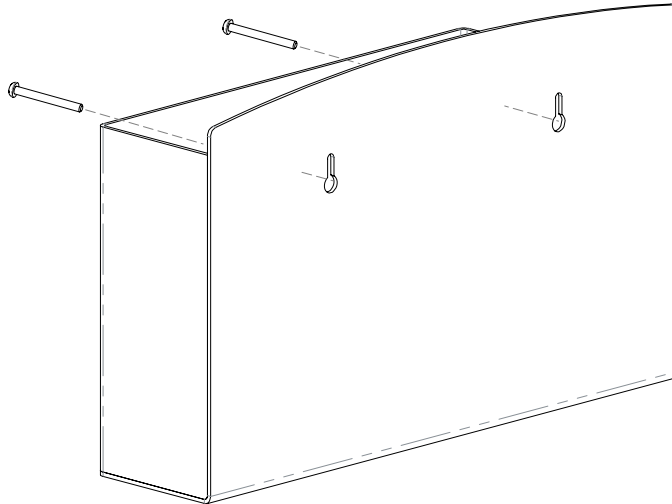
Installation

Always mount dispensers securely *prior* to loading with product.

- Dispenser offers quick access to the most needed PPE in isolation protection.

**1**

- Mount securely to a wall with screws approved and supplied by building maintenance.
- Can also be placed on a desk or counter, or mounted to a BOWMAN floor stand.

**2**

Parts included:

- Dispenser

Tools Required:

- No tools required to assemble dispenser

Care and Construction

ABS Plastic

Material Characteristics

Designed for Long-Term, Heavy-Duty Applications

The combination of copolymers (Acrylonitrile, Butadiene, and Styrene) gives ABS an excellent combination of strength, rigidity, and toughness. The fauxwood finish is ARVINYL laminate created from a semi-rigid film.

ABS is chemical and stress-crack resistant. It is tough, dimensionally stable, and will hold up to long-term use. To ensure product longevity, fauxwood products should not be mounted in very hot or cold areas.

Care and Cleaning

Use mild soap and water to clean. Petroleum-based oils, solvents, and paints should not be used.

Standard hospital cleaning supplies are approved for use on our ABS plastic products.