

APPROVED: _____
 DATE: _____ TITLE: _____

Rev	AWO #	Description	Date	Appr
-		RELEASED	12/22/21	
A		ADDED SPEC.	8/11/22	LH/TW

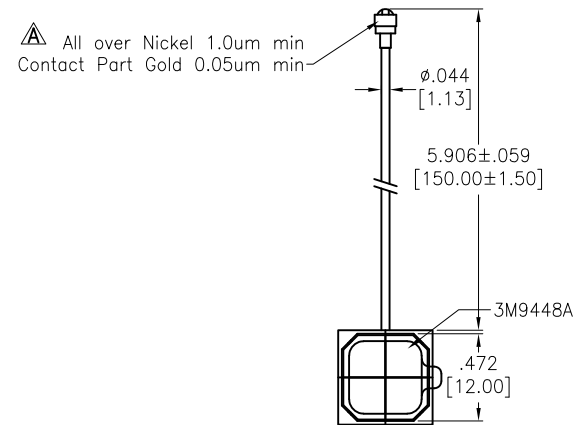
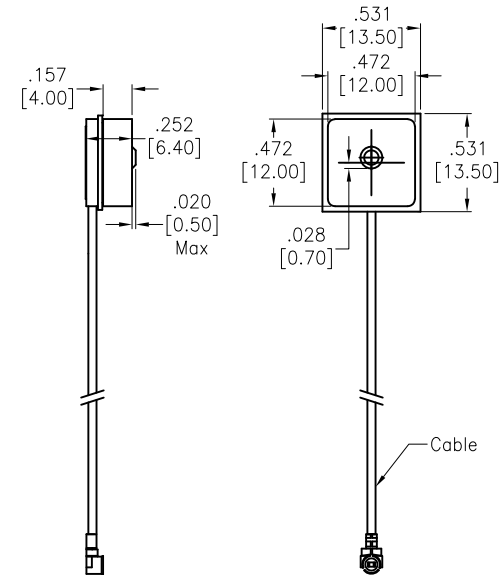
SPECIFICATIONS:
 Electrical:

Standards	GPS/GLONASS	
Frequency range(MHz)	1575MHz	1609MHz
Peak Gain	2.04dBi	2.23dBi
Average Gain(dB)	-3.6dB	-3.4dB
VSWR	1.23	1.34
Return Loss	-19.61	-16.73
Efficiency (%)	43.3%	45.7%
Polarization mode	Circular polarization	
Radiation pattern	Hemispherical	
Voltage Range (V)	1.8~3.6V	
Active Gain (dB)	25	
Noise Figure (dB)	1.5	
Current Consumption (mA)	20	
Power Consumption (mA)	100	

Mechanical:

Mounting Type	Adhesive
Antenna Type	3M9448A
Connector Type	U.FL Standard
Antenna size(mm)	12mm(L)X12mm(W)X4.4mm(H)
Material	Ceramic
Cable length(mm)	150mm
Operating Temperature	-40°C~+85°C
Storage Temperature	-40°C~+85°C

Environmental:
 Lead free, RoHS compliant.



UNLESS OTHERWISE SPECIFIED ALL DIMENSIONS ARE INCHES [MM]. TOLERANCES: EXCEPT AS NOTED

INCHES		HOLES	
.x	± .10	∅x	± .10
.xx	± .020	∅xx	± .015
.xxx	± .015	∅xxx	± .010

ADAM TECH

909 Rahway Avenue,
 Union, NJ 07083
 Phone: 908-687-5000
 Fax: 908-687-5710

DRAWN	WX	12/22/21
CHECKED	RC	12/22/21
APPROVED		

TITLE
 12x12x4mm GNSS ACTIVE GPS PATCH ANTENNA,
 ADHESIVE TYPE TO U.FL

THIS DRAWING CONTAINS INFORMATION THAT IS PROPRIETARY AND SHOULD NOT BE USED WITHOUT PRIOR WRITTEN PERMISSION FROM ADAM TECH

SIZE	PART NO.	REV.
X	ANT-190751B93	A

REF: S00207C SCALE: NTS SHEET 1 OF 1