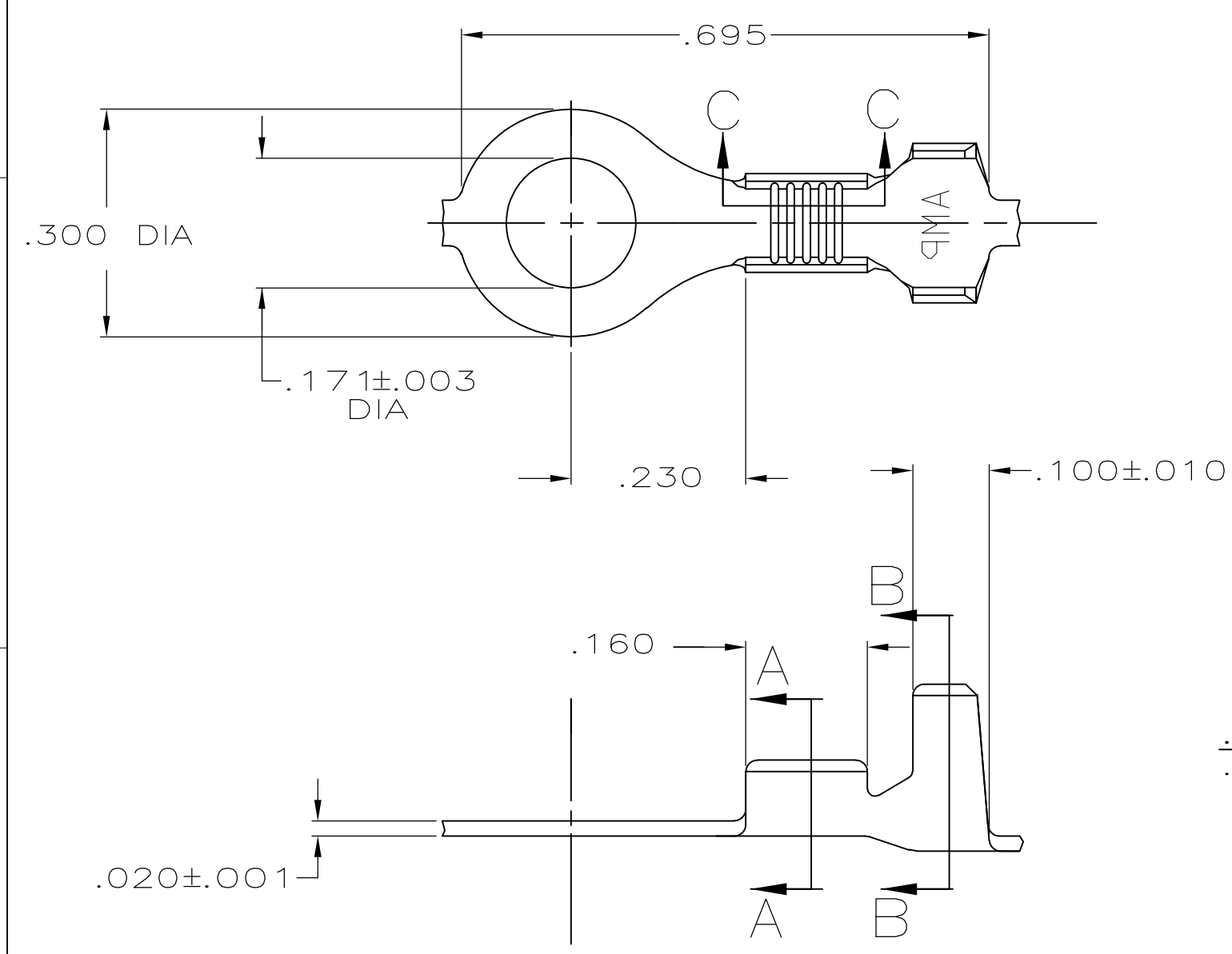
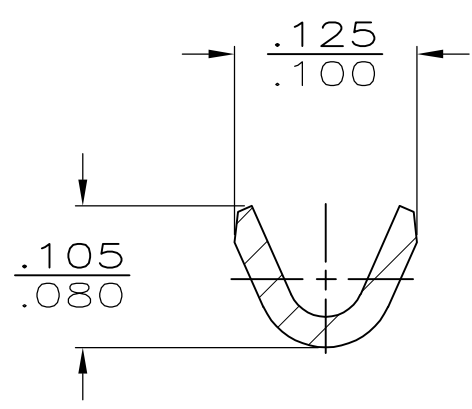


THIS DRAWING IS UNPUBLISHED. RELEASED FOR PUBLICATION
 © COPYRIGHT - By - ALL RIGHTS RESERVED.

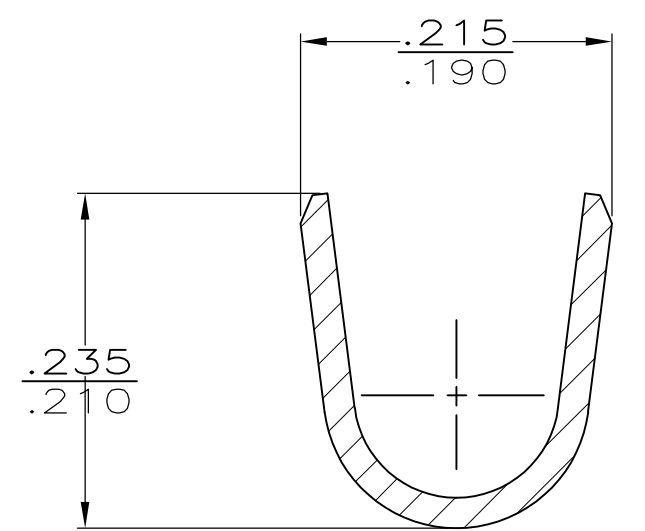
LOC	DIST	REVISIONS					
AF	50	P	LTR	DESCRIPTION	DATE	DWN	APVD
		H		REVISE PER ECR-13-013738	15FEB2014	GRZ	JL



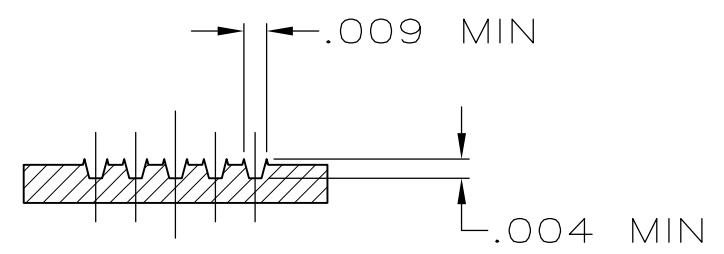
1 CONTINUOUS STRIP ON REELS



SECTION A-A
SCALE 8:1



SECTION B-B
SCALE 8:1



SECTION C-C
SCALE 10:1

.125-.165 DIA	23-19 AWG	60323-2
INSULATION RANGE	MAGNET WIRE RANGE	PART NUMBER

THIS DRAWING IS A CONTROLLED DOCUMENT.		DWN P FORTNEY 3/1/90	TE Connectivity			
DIMENSIONS: INCHES		CHK MS FEHER 3/1/90				
TOLERANCES UNLESS OTHERWISE SPECIFIED:		APVD G YETTER 3/1/90	NAME #8 STUD, RING,AMPLIVAR			
0 PLC ± -		PRODUCT SPEC R KUZO 3/10/90				
1 PLC ± -		APPLICATION SPEC	SIZE	CAGE CODE	DRAWING NO	RESTRICTED TO
2 PLC ± -			A3	00779	C-60323	
3 PLC ± .015			SCALE 5:1			SHEET 1 OF 1
4 PLC ± -			CUSTOMER DRAWING			REV H
ANGLES ± -						
MATERIAL BRASS		FINISH .000080 MIN TIN PLATE				