

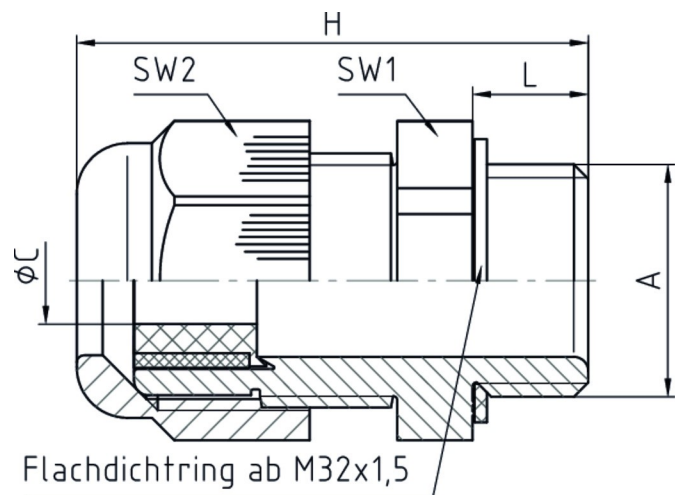
## PERFECT cable gland

50.6xx PA/Rzzzz

|                         |                                       |
|-------------------------|---------------------------------------|
| Dome nut                | Polyamide PA6 V-2                     |
| Sealing ring/outer part | Polychloroprene-Nitrile rubber CR/NBR |
| Sealing ring/inner part | TPE TPS                               |
| Gland body              | Polyamide PA6 V-2                     |
| Connecting thread       | metric, as per EN 60423               |



| Properties        |  |
|-------------------|--|
|                   | <ul style="list-style-type: none"> <li>reducing sealing ring for small cable diameter</li> <li>integrated anchorage</li> <li>wide sealing and clamping range</li> <li>easy-to-install</li> <li>UV- and weather resistance according UL 514B</li> </ul> |
| Temperature range | -20 °C / +100 °C (dynamic)<br>-40 °C (static, short term)  |
| Protection grade  | IP68<br>5 bar  |
| Test standard     | UL 514B  |
| UL / CSA-File     | E140310  |
| Comment           | details about test results - see annex   |




## Features



RAL 9005

Connecting thread standard length

| A       | ØC      | L  | SW1 | SW2 | H    | VPE | Part No.      |
|---------|---------|----|-----|-----|------|-----|---------------|
| M12x1,5 | 2 - 5   | 8  | 15  | 15  | 31   | 100 | 50.612 PA/RSW |
| M16x1,5 | 3 - 10  | 8  | 20  | 20  | 35,5 | 100 | 50.616 PA/RSW |
| M20x1,5 | 5 - 13  | 8  | 24  | 24  | 36   | 100 | 50.620 PA/RSW |
| M25x1,5 | 8 - 17  | 8  | 29  | 29  | 43   | 50  | 50.625 PA/RSW |
| M32x1,5 | 12 - 21 | 10 | 36  | 36  | 50   | 25  | 50.632 PA/RSW |
| M40x1,5 | 16 - 28 | 10 | 46  | 46  | 51   | 10  | 50.640 PA/RSW |


| A | ØC | L | SW1 | SW2 | H | <br>VPE | Part No. |
|---|----|---|-----|-----|---|---|----------|
|---|----|---|-----|-----|---|---|----------|

|         |         |    |    |    |      |   |               |
|---------|---------|----|----|----|------|---|---------------|
| M50x1,5 | 21 - 35 | 12 | 55 | 55 | 61,5 | 5 | 50.650 PA/RSW |
| M63x1,5 | 27 - 48 | 12 | 68 | 68 | 65,5 | 5 | 50.663 PA/RSW |



RAL 7035

Connecting thread standard length


| A | ØC | L | SW1 | SW2 | H | <br>VPE | Part No. |
|---|----|---|-----|-----|---|---|----------|
|---|----|---|-----|-----|---|---|----------|

|         |         |    |    |    |      |     |                |
|---------|---------|----|----|----|------|-----|----------------|
| M12x1,5 | 2 - 5   | 8  | 15 | 15 | 31   | 100 | 50.612PA/R7035 |
| M16x1,5 | 3 - 10  | 8  | 20 | 20 | 35,5 | 100 | 50.616PA/R7035 |
| M20x1,5 | 5 - 13  | 8  | 24 | 24 | 36   | 100 | 50.620PA/R7035 |
| M25x1,5 | 8 - 17  | 8  | 29 | 29 | 43   | 50  | 50.625PA/R7035 |
| M32x1,5 | 12 - 21 | 10 | 36 | 36 | 50   | 25  | 50.632PA/R7035 |
| M40x1,5 | 16 - 28 | 10 | 46 | 46 | 51   | 10  | 50.640PA/R7035 |
| M50x1,5 | 21 - 35 | 12 | 55 | 55 | 61,5 | 5   | 50.650PA/R7035 |
| M63x1,5 | 27 - 48 | 12 | 68 | 68 | 65,5 | 5   | 50.663PA/R7035 |



RAL 7001

Connecting thread standard length

| A | ØC | L | SW1 | SW2 | H | <br>VPE | Part No. |
|---|----|---|-----|-----|---|---|----------|
|---|----|---|-----|-----|---|---|----------|

|         |         |    |    |    |      |     |             |
|---------|---------|----|----|----|------|-----|-------------|
| M12x1,5 | 2 - 5   | 8  | 15 | 15 | 31   | 100 | 50.612 PA/R |
| M16x1,5 | 3 - 10  | 8  | 20 | 20 | 35,5 | 100 | 50.616 PA/R |
| M20x1,5 | 5 - 13  | 8  | 24 | 24 | 36   | 100 | 50.620 PA/R |
| M25x1,5 | 8 - 17  | 8  | 29 | 29 | 43   | 50  | 50.625 PA/R |
| M32x1,5 | 12 - 21 | 10 | 36 | 36 | 50   | 25  | 50.632 PA/R |
| M40x1,5 | 16 - 28 | 10 | 46 | 46 | 51   | 10  | 50.640 PA/R |
| M50x1,5 | 21 - 35 | 12 | 55 | 55 | 61,5 | 5   | 50.650 PA/R |
| M63x1,5 | 27 - 48 | 12 | 68 | 68 | 65,5 | 5   | 50.663 PA/R |

\* sealing ring one-piece