

4

3

2

1

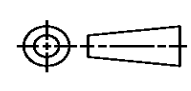
THIS DRAWING IS UNPUBLISHED. RELEASED FOR PUBLICATION
© COPYRIGHT ALL RIGHTS RESERVED.

LOC	DIST	REVISIONS			
P	LTR	DESCRIPTION	DATE	DWN	APVD
	H1	ECR-16-011296	03OCT2016	GK	SD

REPLACED BY OCEAN STYLE APPLICATOR PART NUMBER 2836325-1

FOR REPLACEMENT PARTS FOR APPLICATOR 466449
REFER TO ADDITIONAL PAGE(S). SPARE PARTS KIT (IF LISTED)
WILL REMAIN AVAILABLE.

THE REPLACEMENT OCEAN STYLE APPLICATOR HAS THE
SAME TERMINATOR/PRESS INTERFACE AS APPLICATOR
466449

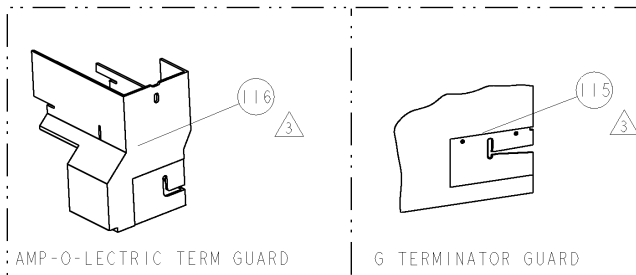
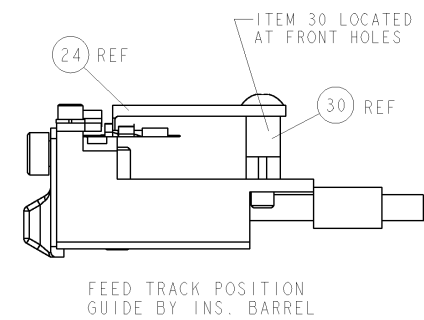
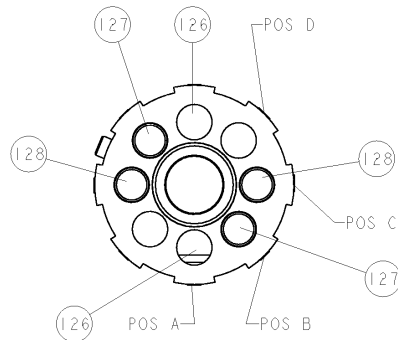
THIS DRAWING IS A CONTROLLED DOCUMENT.		DWN	GOPALAKRISHNA HV		
DIMENSIONS:		CHK	GOPALAKRISHNA HV		
		APVD	STOUGH DALE		
		PRODUCT SPEC			
TOLERANCES UNLESS OTHERWISE SPECIFIED:		APPLICATION SPEC			
0 PLC ±		SIZE	CAGE CODE	DRAWING NO	RESTRICTED TO
1 PLC ±		A3		©- 466449	
2 PLC ±		CUSTOMER DRAWING		SCALE	SHEET 1 OF 2
3 PLC ±					REV H1
4 PLC ±					
ANGLES ±					
MATERIAL					
FINISH					



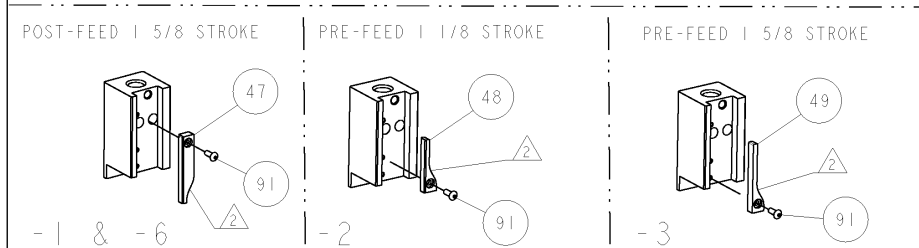
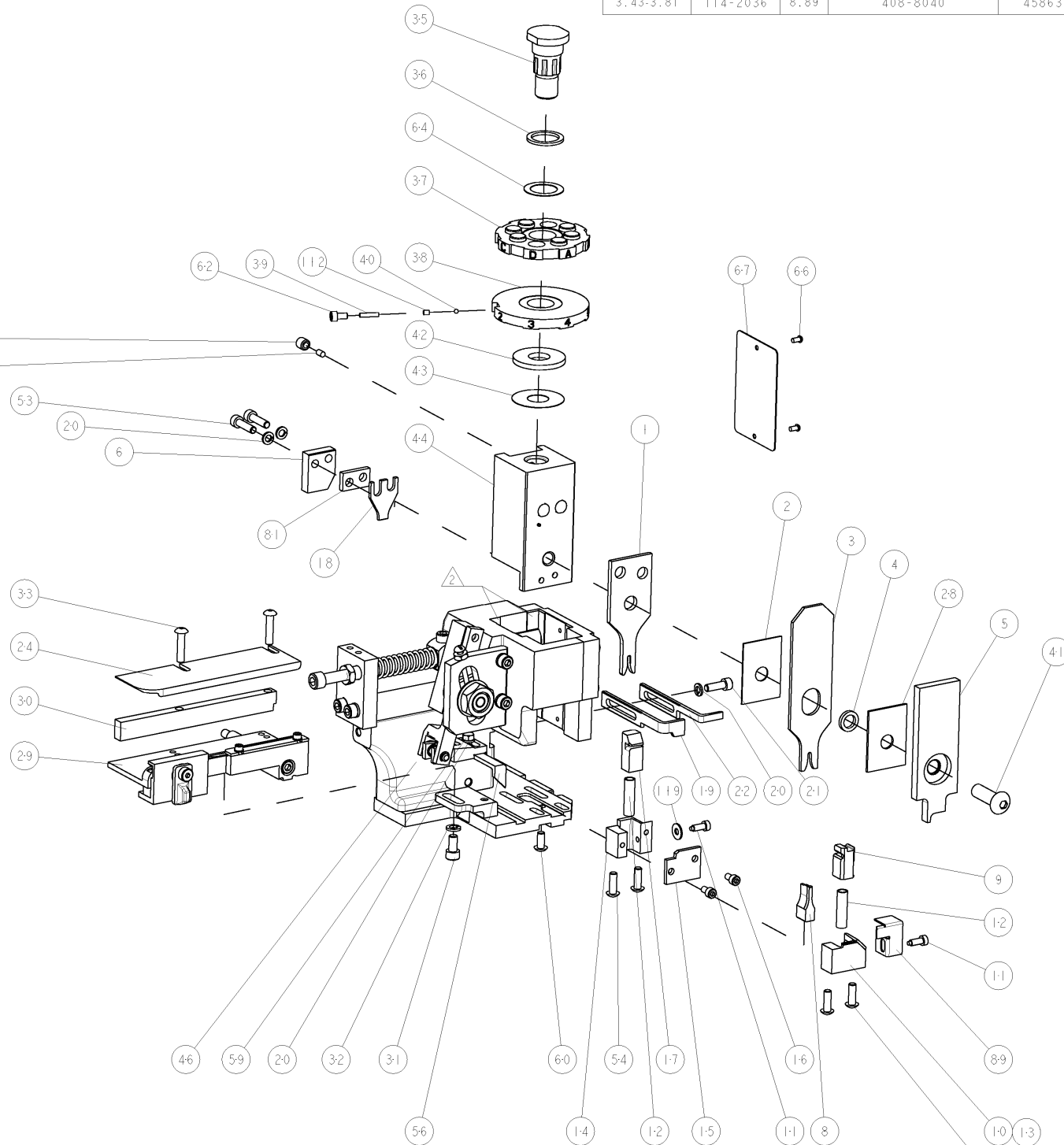
HDM SIDE FEED APPLICATOR

PART NUMBER	REV	FIRST USED	POWER UNIT	FEED TYPE	DESCRIPTION
466449-1	H	122500-1	LEADMAKER	POST FEED	CUTS CARRIER
466449-2	H	565435-5	BENCH MODEL K	PRE FEED	CUTS CARRIER
466449-3	H	354500-1	BENCH MODEL G	PRE FEED	CUTS CARRIER
466449-6	H	122500-1	LEADMAKER	POST FEED	CONTINUOUS CARRIER
7-466449-7	H	-	-	-	SPARE PARTS

- △ RECOMMENDED SPARE PARTS
- △ GREASE LIGHTLY
- △ GUARD MUST BE IN PLACE WHEN OPERATING APPLICATOR IN A BENCH MACHINE



TE PN		TE CRIMP SPECS	
60900	-	CRIMP HEIGHT	WIRE SIZE
62020	-	A .99mm+.05/- .05 [.039+.002/- .002]	20AWG
62398	-	B .91mm+.05/- .05 [.036+.002/- .002]	22AWG
63887	-	C .81mm+.05/- .05 [.032+.002/- .002]	24AWG
63904	-	D	-
63976	-	-	-
1217103	-	CRIMP	SIZE TYPE RANGE
-	-	WIRE	1.40mm [.055] F 24-20 AWG
-	-	INSUL	2.29mm [.090] O Ø1.016 - 2.032
WIRE STRIP LENGTH	TERM APPL SPEC	FEED	APPLICATOR INSTRUCTIONS
3.43-3.81	114-2036	8.89	408-8040
			SET UP GAGE 458637-1



REV	DESCRIPTION	DATE	BY	CHKD
1	DEVELOPMENT	15DEC2008	Y. YIN	D. N.
2	RELEASED	01JAN2009	MEH	TE

REV	QTY	DESCRIPTION	ITEM NO
-	2	2 2 2 2 - 5-354779-8 PIN, WIRE DISC, .3280	128
-	2	2 2 2 2 - 4-354779-6 PIN, WIRE DISC, .3220	127
-	2	2 2 2 2 - 4-354779-0 PIN, WIRE DISC, .3190	126
-	1	1 1 1 1 - 21055-5 WASHER, FLAT, REG NO 6	119
-	-	REF - - - 455749-1 GUARD WINDOW	116
-	-	REF - - - 679532-1 INSERT, GUARD	115
-	1	1 1 1 1 - 690603-1 SPRING ASSIST AMP-O-MATOR APPLICATOR	112
-	1	1 1 1 1 - 1-21002-7 SCR, BTN SKT HD CAP 6-32 X .375	91
-	1	1 1 1 1 - 318563-1 GUARD, FRONT CHIP	89
-	1	1 1 1 1 - 240641-5 SPACER	81
-	1	1 1 1 1 - 4088040 SF APPL INST 408-8040	72
-	1	1 1 1 1 - 217238-1 GENERAL INSTRUCTION PKG	71
-	1	1 1 1 1 - 461264-1 PLATE, IDENTIFICATION	67
-	2	2 2 2 2 - 21017-2 SCREW, DRIVE	66
-	1	1 1 1 1 - 986950-1 WASHER, FLAT PRECISION	64
-	1	1 1 1 1 - 21009-2 SCR, SET, SELF LOCKING 1/4-20 X .250	63
-	1	1 1 1 1 - 23030-1 SCR, SKT HD CAP 6-32 X .25	62
-	1	1 1 1 1 - 22733-8 SCR, BHSC, SELF-LOCKING, 8-32 X .375	60
-	1	1 1 1 1 - 2-22603-0 SCR, HEX HD CAP 8-32 X .312	59
-	1	1 1 1 1 - 458537-2 PAWL, FEED	56
-	4	4 4 4 4 - 2-21002-2 SCR, BTN SKT HD CAP 8-32 X .500	54
-	2	2 2 2 2 - 2-21000-8 SCR, SKT HD CAP 8-32 X .625	53
-	-	REF - - - 690602-6 CAM, PRE FEED, 1 5/8	49
-	-	REF - - - 690602-5 CAM, PRE FEED, 1 1/8	48
-	1	1 1 1 1 - 690501-4 CAM, POST-FEED 1 5/8	47
-	1	1 1 1 1 - 459456-1 APPL, BASIC SUB ASSY (SIDE WISE MOCA)	46
-	1	1 1 1 1 - 690191-1 PLUG, NYLON	45
-	1	1 1 1 1 - 455673-1 RAM, SIDE FEED	44
-	1	1 1 1 1 - 690125-1 SHIM SUB-ASSY	43
-	1	1 1 1 1 - 690124-1 WASHER, RAM (.115)	42
-	1	1 1 1 1 - 7-21002-9 SCR, BTN SKT HD CAP 5/16-24 X 1.00	41
-	1	1 1 1 1 - 23241-6 BALL, STEEL	40
-	1	1 1 1 1 - 690170-1 SPRING, COMPRESSION	39
-	1	1 1 1 1 - 690142-1 DISC, INSULATION	38
-	1	1 1 1 1 - 354777-1 WIRE DISC, ASSEMBLY	37
-	1	1 1 1 1 - 22480-5 SPRING, COMPRESSION	36
-	1	1 1 1 1 - 690212-1 POST, RAM	35
-	2	2 2 2 2 - 2-21002-4 SCR, BTN SKT HD CAP 8-32 X .750	33
-	1	1 1 1 1 - 21024-5 WASHER, SPRG LOCK, REG NO 10	32
-	1	1 1 1 1 - 3-21000-4 SCR, SKT HD CAP 10-32 X .375	31
-	1	1 1 1 1 - 1-1320908-7 SPACER, STRIP GUIDE	30
-	1	1 1 1 1 - 1633091-1 ASSEMBLY, STRIP GUIDE	29
-	1	1 1 1 1 - 1-455888-0 SPACER, CRIMPER	28
-	1	1 1 1 1 - 1320928-1 PLATE, STRIP GUIDE	24
-	1	1 1 1 1 - 690472-2 STRIPPER	22
-	1	1 1 1 1 - 2-21000-7 SCR, SKT HD CAP 8-32 X .500	21
-	4	4 4 4 4 - 21024-4 WASHER, SPRG LOCK, REG NO 8	20
-	-	REF - - - 691353-1 STRIPPER	19
-	1	1 1 1 1 - 690518-2 HOLD DOWN, TERMINAL	18
-	1	1 1 1 1 - 690463-1 FLOATING SHEAR, REAR	17
-	2	2 2 2 2 - 1-21000-8 SCR, SKT HD CAP 6-32 X .250	16
-	1	1 1 1 1 - 690464-2 SHEAR PLATE, REAR	15
-	-	REF - - - 690462-1 SHEAR HOLDER, REAR	14
-	1	1 1 1 1 - 679625-1 SHEAR HOLDER, FRONT (NO CUT)	13
-	2	2 2 2 2 - 3-22280-3 SPRING, COMPRESSION	12
-	2	2 2 2 2 - 690461-1 STOP, SHEAR	11
-	-	REF - - - 690459-1 SHEAR HOLDER, FRONT	10
-	1	1 1 1 1 - 454276-1 FLOATING SHEAR, FRONT	9
-	1	1 1 1 1 - 690512-9 ANVIL, COMBINATION	8
-	-	REF - - - -	7
-	1	1 1 1 1 - 690468-1 DEPRESSOR SHEAR, REAR	6
-	1	1 1 1 1 - 455889-9 DEPRESSOR, SHEAR	5
-	1	1 1 1 1 - 2-238011-2 BLOCK, CRIMPER SPACER	4
-	1	1 1 1 1 - 4-456135-4 CRIMPER, INSULATION O PREMIUM	3
-	1	1 1 1 1 - 455888-5 SPACER, CRIMPER	2
-	1	1 1 1 1 - 1-456402-4 CRIMPER, WIRE PREMIUM	1

DIMENSIONS: INCHES		TOLERANCES UNLESS OTHERWISE SPECIFIED:		DRAWN: W. DOWLING		NAME: SIDE FEED HDM APPLICATOR	
0 PLC	±	1 PLC	±0.1	2 PLC	±0.01	3 PLC	±0.001
4 PLC	±0.0001	ANGLE	±0.0001	APPLICATION SPEC: -			
MATERIAL: -		FINISH: -		WEIGHT: -		SIZE: A 00779 C=466449	
CUSTOMER DRAWING				SCALE: 3:5		SHEET 1 OF 1	