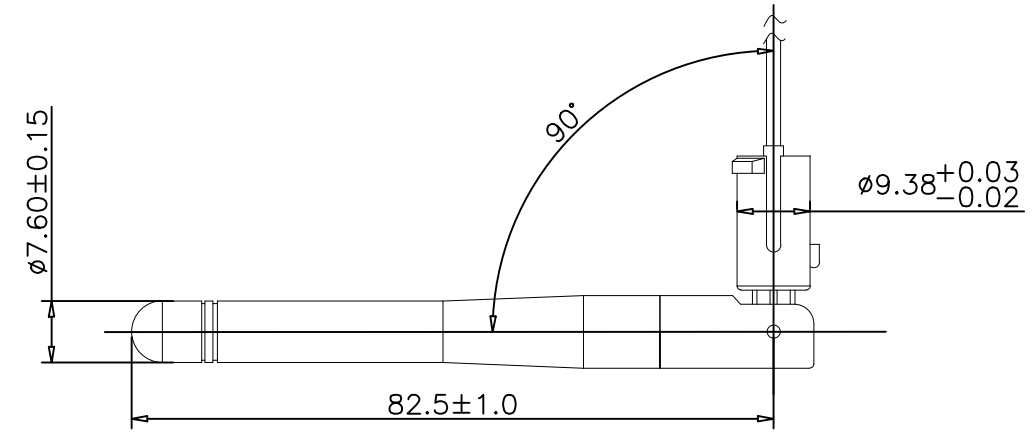
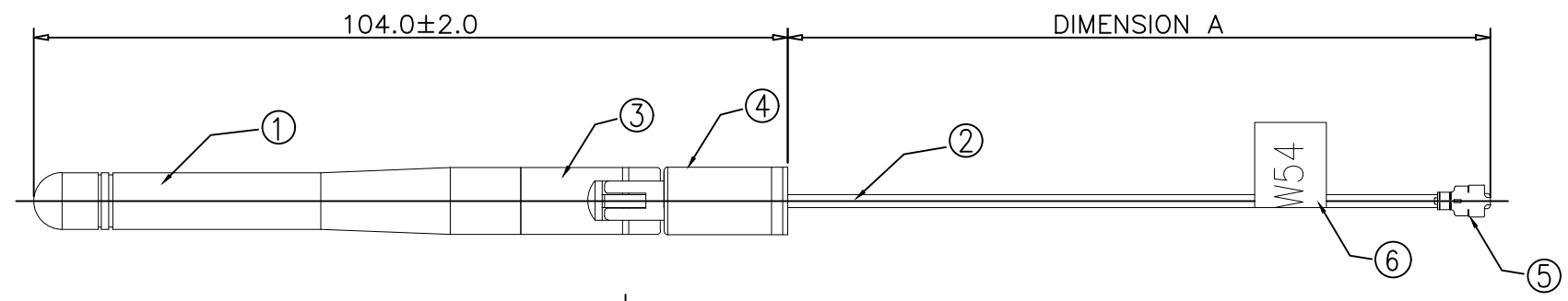


THIS DRAWING IS UNPUBLISHED. RELEASED FOR PUBLICATION
 © COPYRIGHT - By - ALL RIGHTS RESERVED.

REVISIONS					
P	LTR	DESCRIPTION	DATE	DWN	APVD
	H2	+ DIM A	16MAR2020	DC	AC



⑥	Label	Label 14.8*4.8(mm)	1PC
⑤	Connector	MHF Plug Connector For 1.13mm Cable	1PC
④	Lower base	Polycarbonate,Bayer Makrolon PC 2805,Color:black	1PC
③	Upper base	ABS+PC ,Chimei PC-510 Color:black	1PC
②	Cable	1.13mm Coaxial Cable	1PC
①	Radome	TPEE 55D,Color:black	1PC
ITEM	NAME	MATERIAL	QTY

NOTES:

- 1.Frequency Range: 2400MHz~2500MHz/5150MHz~5875MHz
- 2.Impedance: 50 OHM Nominal
- 3.VSWR: ≤1.92
- 4.Return loss: ≤-10dB
- 5.Gain(peak): 2.0dBi(exclude cable loss)
- 6.Polarization: Vertical.
- 7.Temperature range: -10℃ TO 55℃.

Dim A	PART NUMBER			COLOR
	PREFIX	BASE	SUFFIX	
50	-	1982564	1	BLACK
90	1		1	BLACK
130	2		1	BLACK
150	3		1	BLACK
190	4		1	BLACK

THIS DRAWING IS A CONTROLLED DOCUMENT.		DWN M.Felten 28JUN2007	TE Connectivity														
DIMENSIONS: mm		CHK P.Willems 28JUN2007															
TOLERANCES UNLESS OTHERWISE SPECIFIED:		APVD D.Halberstadt 28JUN2007	NAME -														
<table border="0"> <tr> <td>0 PLC</td> <td>± -</td> </tr> <tr> <td>1 PLC</td> <td>± 0.5</td> </tr> <tr> <td>2 PLC</td> <td>± 0.20</td> </tr> <tr> <td>3 PLC</td> <td>± 0.05</td> </tr> <tr> <td>4 PLC</td> <td>± -</td> </tr> <tr> <td>ANGLES</td> <td>± 0.5°</td> </tr> </table>		0 PLC	± -	1 PLC	± 0.5	2 PLC	± 0.20	3 PLC	± 0.05	4 PLC	± -	ANGLES	± 0.5°	PRODUCT SPEC -	EXTERNAL DUAL BAND WLAN ANTENNA		
0 PLC	± -																
1 PLC	± 0.5																
2 PLC	± 0.20																
3 PLC	± 0.05																
4 PLC	± -																
ANGLES	± 0.5°																
MATERIAL -		FINISH -	APPLICATION SPEC -	SIZE A3	CAGE CODE 00779												
			DRAWING NO C-1982564	RESTRICTED TO -													
CUSTOMER DRAWING			WEIGHT -	SCALE 1:1	SHEET 1 OF 1												
			REV H2														