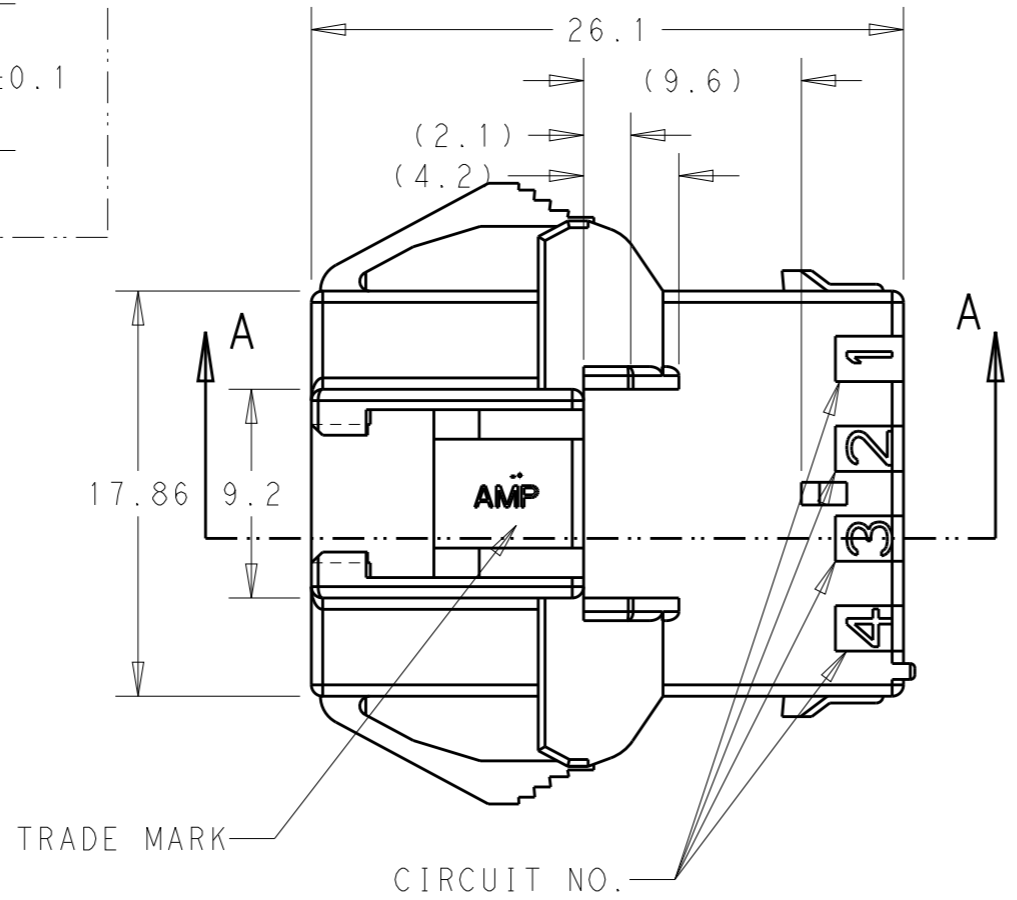
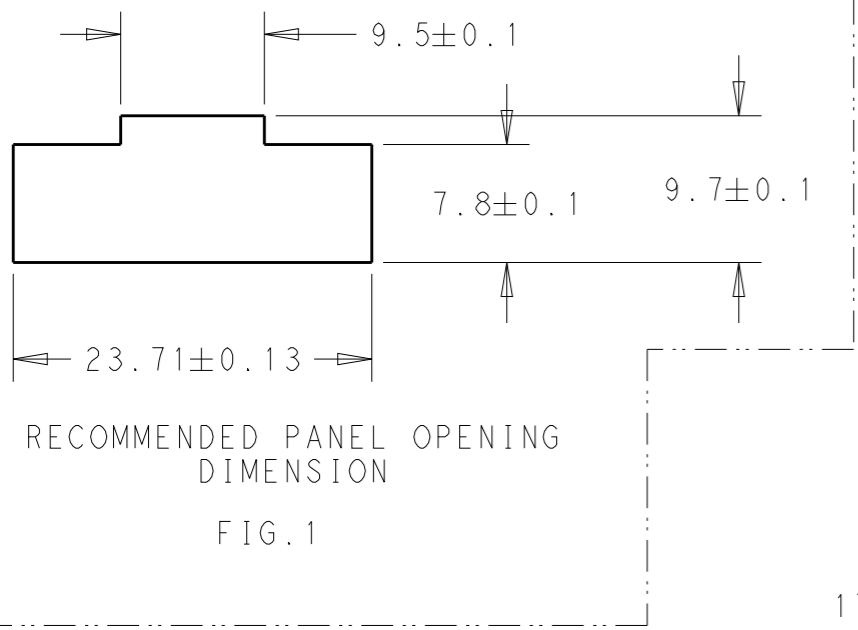
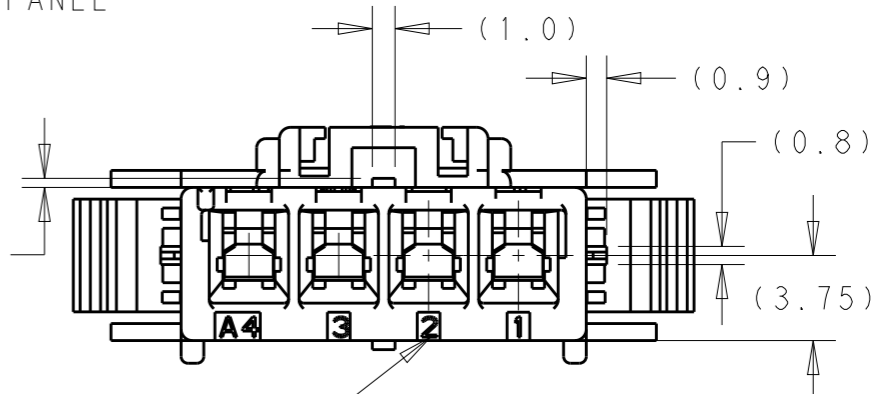
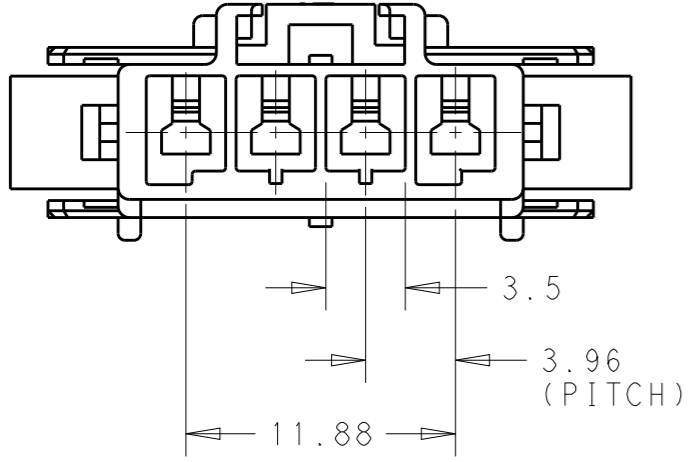
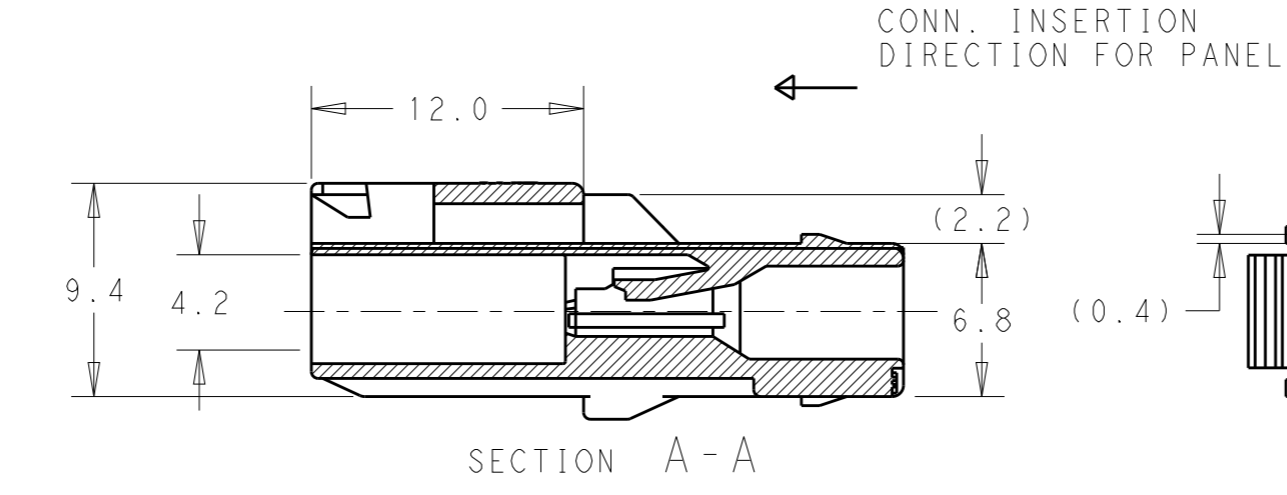


THIS DRAWING IS UNPUBLISHED. RELEASED FOR PUBLICATION 20  
 © COPYRIGHT 20 BY - ALL RIGHTS RESERVED.

REVISIONS					
P	LTR	DESCRIPTION	DATE	DWN	APVD
	A1	REVISED PER ECR-19-005173	08APR2019	N.L	D.Z
	B	REVISED PER ECR-19-009721	01JUN2019	M.G	D.Z



- THIS HOUSING ACCEPTS TAB TERMINAL:  
 TAB CONTACT: 177917-□ (#20-#16AWG)  
 177916-□ (#26-#22AWG)
- MATING CONN. P/N  
 PLUG HSG: 2005251-□  
 REC CONTACT: 177915-□ (#20-#16AWG)  
 177914-□ (#26-#22AWG)
- APPLICABLE PLATE P/N: 177920-□
- INSTRUCTION SHEET: 411-5638
- APPLICABLE PANEL THICKNESS: 0.8~2.0 (SEE FIG.1)
- INSERT CONN. FROM PRESS DIRECTION SIDE FOR METAL PANEL.
- EDGE OF THICKNESS WAY MUST NOT ROUND FOR MOLDED PANEL.
- △ MATERIAL: PA66 UL94 V-0  
 PART 1971599-1 COMPLY WITH GLOW WIRE REQUIREMENT FOR PARTS OF NON-METALLIC MATERIALSUPPORTING A CURRENT-CARRYING CONNECTION DETAILED IN IEC 60335-1, SECTION 30(GWT)



4	NATURAL	1971599-1
POS	HOUSING COLOR	PART NUMBER

THIS DRAWING IS A CONTROLLED DOCUMENT.		DWN SAI, CHEN 25SEP2009	TE Connectivity	
DIMENSIONS: mm		CHK HAPYE, WU 25SEP2009		
TOLERANCES UNLESS OTHERWISE SPECIFIED:		APVD JULIAN, ZHOU 25SEP2009	NAME POWER DBL LOCK CONN 3.96mm PITCH 4 POS CAP HOUSING. (PANEL MOUNT)(SGL ROW)(GWT)	
0 PLC ±-		PRODUCT SPEC 108-5410	SIZE A3	
1 PLC ±0.3		APPLICATION SPEC 114-5175	CAGE CODE -	DRAWING NO. ©-1971599
2 PLC ±0.2		WEIGHT -	RESTRICTED TO -	
3 PLC ±-		CUSTOMER DRAWING	SCALE 3:1	SHEET 1 OF 1
4 PLC ±-				REV B
ANGLES ±-				
FINISH -				